



- ▶ **FMT250QSL** 7 229 ...
- ▶ **FMT250SL** 7 229 ...

FEIN Service

USA

FEIN Power Tools, Inc.
1000 Omega Drive
Suite 1180
Pittsburgh, PA 15205
Telephone: (412) 922-8886
Toll Free: 1-800-441-9878
www.feinus.com

Canada

FEIN Canadian Power Tool
Company
323 Traders Boulevard East
Mississauga, Ontario L4Z 2E5
Telephone.: (905) 8901390
Toll Free: 1-800-265-2581

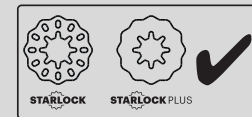
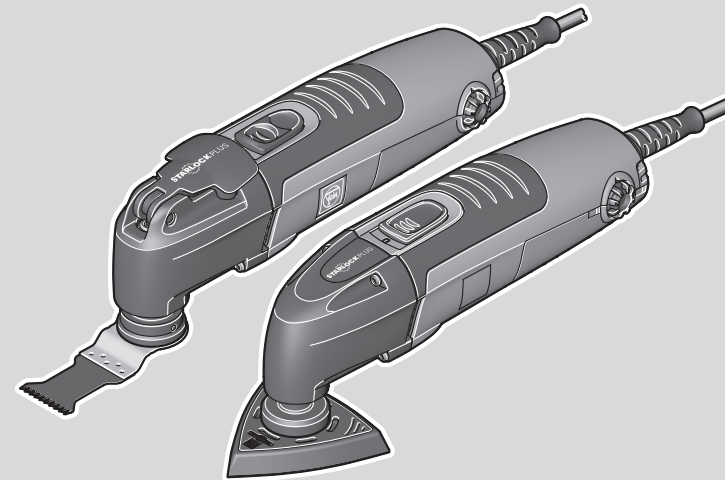
FEIN Canadian Power Tool
Company
2810 De Miniac
St. Laurent, Quebec H4S 1K9
Telephone: (514) 331-7390
Toll Free: 1-800-789-8181
www.fein.com

Headquarter

C. & E. Fein GmbH
Hans-Fein-Straße 81
D-73529 Schwäbisch Gmünd-Bargau

www.fein.com

© C. & E. Fein GmbH. Printed in Germany. Figures non-binding. Subject to technical changes. 3 41 01 240 21 0 BY 2015.12 DE.





en Instruction Manual

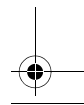
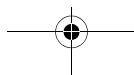
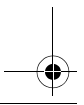
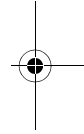
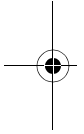
 3

fr Mode d'emploi

 21

es Instrucciones de uso

 40



For your safety.

⚠ WARNING **Read all safety warnings and all instructions.** Failure to follow the warnings and instructions may result in electric shock, fire and/or serious injury. **Save all warnings and instructions for future-reference.**

🔌 Do not use this power tool before you have thoroughly read and completely understood this Instruction Manual, including the figures, specifications, safety regulations and the signs indicating DANGER, WARNING and CAUTION.

Only carry out such operations with this power tool as intended for by FEIN. Only use application tools and accessories that have been released by FEIN.

Please also observe the relevant national industrial safety regulations.

Non-observance of the safety instructions in the said documentation can lead to an electric shock, burns and/or severe injuries.

This Instruction Manual should be kept for later use and enclosed with the power tool, should it be passed on or sold.

SAVE THESE INSTRUCTIONS.

The term “power tool” in the warnings refers to your mains-operated (corded) power tool or battery operated (cordless) power tool.

General safety rules.

1) Work area safety

a) Keep work area clean and well lit. Cluttered or dark areas invite accidents.

b) Do not operate power tools in explosive atmospheres, such as in the presence of flammable liquids, gases or dust. Power tools create sparks which may ignite the dust or fumes.

c) Keep children and bystanders away while operating a power tool. Distraction can cause you to lose control.

2) Electrical safety

a) Power tool plugs must match the outlet. Never modify the plug in any way. Do not use any adapter plugs with earthed (grounded) power tools. Unmodified plugs and matching outlets will reduce risk of electric shock.

b) Avoid body contact with earthed or grounded surfaces such as pipes, radiators, ranges and refrigerators. There is an increased risk of electric shock if your body is earthed or grounded.

c) Do not expose power tools to rain or wet conditions. Water entering a power tool will increase the risk of electric shock.

d) Do not abuse the cord. Never use the cord for carrying, pulling or unplugging the power tool. Keep cord away from heat, oil, sharp edges or moving parts. Damaged or entangled cords increase the risk of electric shock.

e) When operating a power tool outdoors, use an extension cord suitable for outdoor use. Use of a cord suitable for outdoor use reduces the risk of electric shock.

f) If operating a power tool in a damp location is unavoidable, use a ground fault circuit interrupter (GFCI) protected supply. Use of an GFCI reduces the risk of electric shock.

3) Personal safety

a) Stay alert, watch what you are doing and use common sense when operating a power tool. Do not use a power tool while you are tired or under the influence of drugs, alcohol or medication. A moment of inattention while operating power tools may result in serious personal injury.

b) Use personal protective equipment. Always wear eye protection. Protective equipment such as dust mask, non-skid safety shoes, hard hat, or hearing protection used for appropriate conditions will reduce personal injuries.

c) Prevent unintentional starting. Ensure the switch is in the off-position before connecting to power source and/or battery pack, picking up or carrying the tool. Carrying power tools with your finger on the switch or energising power tools that have the switch on invites accidents.

- d) **Remove any adjusting key or wrench before turning the power tool on.** A wrench or a key left attached to a rotating part of the power tool may result in personal injury.
 - e) **Do not overreach. Keep proper footing and balance at all times.** This enables better control of the power tool in unexpected situations.
 - f) **Dress properly. Do not wear loose clothing or jewelry. Keep your hair, clothing and gloves away from moving parts.** Loose clothes, jewelry or long hair can be caught in moving parts.
 - g) **If devices are provided for the connection of dust extraction and collection facilities, ensure these are connected and properly used.** Use of dust collection can reduce dust-related hazards.
- 4) Power tool use and care**
- a) **Do not force the power tool. Use the correct power tool for your application.** The correct power tool will do the job better and safer at the rate for which it was designed.
 - b) **Do not use the power tool if the switch does not turn it on and off.** Any power tool that cannot be controlled with the switch is dangerous and must be repaired.
 - c) **Disconnect the plug from the power source and/or the battery pack from the power tool before making any adjustments, changing accessories, or storing power tools.** Such preventive safety measures reduce the risk of starting the power tool accidentally.
- d) **Store idle power tools out of the reach of children and do not allow persons unfamiliar with the power tool or these instructions to operate the power tool.** Power tools are dangerous in the hands of untrained users.
 - e) **Maintain power tools. Check for misalignment or binding of moving parts, breakage of parts and any other condition that may affect the power tool's operation. If damaged, have the power tool repaired before use.** Many accidents are caused by poorly maintained power tools.
 - f) **Keep cutting tools sharp and clean.** Properly maintained cutting tools with sharp cutting edges are less likely to bind and are easier to control.
 - g) **Use the power tool, accessories and tool bits etc. in accordance with these instructions, taking into account the working conditions and the work to be performed.** Use of the power tool for operations different from those intended could result in a hazardous situation.
- 5) Service**
- a) **Have your power tool serviced by a qualified repair person using only identical replacement parts.** This will ensure that the safety of the power tool is maintained.

Special safety instructions.

Hold power tool by insulated gripping surfaces when performing an operation where the cutting accessory may contact hidden wiring or its own cord. Cutting accessory contacting a "live" wire will make exposed metal parts of the power tool "live" and shock the operator.

Use clamps or another practical method to secure and support the work piece on a stable surface. When holding the work piece only by hand or against your body, it remains in an unstable position, which can lead to loss of control.

Do not use accessories which are not specifically designed and recommended by the power tool manufacturer. Safe operation is not ensured merely because an accessory fits your power tool.

Grasp/hold the power tool in such a safe manner that your body never comes in contact with the application tool, particularly when working with application tools pointing toward the gripping area, such as with saw blades or cutting tools. Touching sharp cutting edges or edges can lead to injury.

Wear personal protective equipment. Depending on application, use face shield, safety goggles or safety glasses. Where appropriate, wear dust mask, hearing protectors, gloves and workshop apron capable of stopping small abrasive or workpiece fragments. The safety glasses must be capable of protecting against flying particles generated by the various operations. Prolonged exposure to high intensity noise may cause loss of hearing.

Do not direct the power tool against yourself, other persons or animals. Danger of injury from sharp or hot application tools.

Do not rivet or screw any name-plates or signs onto the power tool. If the insulation is damaged, protection against an electric shock will be ineffective. Adhesive labels are recommended.

Clean the ventilation openings on the power tool at regular intervals using non-metal tools. The blower of the motor draws dust into the housing. An excessive accumulation of metallic dust can cause an electrical hazard.

Before putting into operation, check the power connection and the power plug for damage.

Recommendation: The tool should always be supplied with power via a ground fault circuit interrupter (GFCI) with a rated current of 30 mA or less.

Handling hazardous dusts.

⚠ WARNING When working with power tools, such as when grinding, sanding, polishing, sawing or for other work procedures where material is removed, dusts develop that are both hazardous to one's health and can spontaneously combust or be explosive.

Contact with or inhaling some dust types can trigger allergic reactions to the operator or bystanders and/or lead to respiratory infections, cancer, birth defects or other reproductive harm.

Examples of such materials which contain chemicals that can produce hazardous dusts, are:

- Asbestos and materials containing asbestos;
- Lead-containing coatings, some wood types such as beech and oak;
- Minerals and metal;
- Silicate particles from bricks, concrete and other materials containing stone;
- Solvent from solvent-containing paint/varnish;
- Arsenic, chromium and other wood preservatives;
- Materials for pesticide treatment on boat and ship hulls;
- Stainless steel dust, metal dust and non-ferrous metal dust;

To minimize the unwanted intake of these materials:

- Use dust extraction matched appropriately for the developing dust.
- Use personal protective equipment, such as a P2 filter-class dust protection mask.
- Provide for good ventilation of the workplace.

The risk from inhaling dusts depends on how often these materials are worked. Materials containing asbestos may only be worked on by specialists.

⚠ CAUTION Wood and light-metal dust can cause spontaneous combustion or explosions.

Hot mixtures of sanding dust and paint/varnish remainders or other chemical materials in the filter bag or the vac filter can self-ignite under unfavorable conditions, such as sparking from sanding metal, continuous sunlight or high ambient temperatures. To prevent this:

- Avoid overheating the material being sanded and the power tool.
- Empty the dust collector/container in time.
- Observe the material manufacturer's working instructions.
- Observe the relevant regulations in your country for the materials being worked.

Hand/arm vibrations.

⚠ WARNING While working with this power tool, hand/arm vibrations occur. These can lead to health impairments.

⚠ WARNING The vibration emission value during actual use of the power tool can differ from the declared value depending on the ways in which the tool is used.

⚠ WARNING It is necessary to identify safety measures to protect the operator that are based on an estimation of exposure in the actual conditions of use.

The vibration emission level given in this information sheet has been measured in accordance with a standardised test given in EN 60745 and may be used to compare one tool with another. It may be used for a preliminary assessment of exposure.

The declared vibration emission level represents the main applications of the tool. However if the tool is used for different applications, with different accessories or poorly maintained, the vibration emission may differ. This may significantly increase the exposure level over the total working period. An estimation of the level of exposure to vibration should also take into account the times when the tool is switched off or when it is running but not actually doing the job. This may significantly reduce the exposure level over the total working period. Identify additional safety measures to protect the operator from the effects of vibration such as: maintain the tool and the accessories, keep the hands warm, organisation of work patterns.

Emission values for sound and vibration (Two-figure – specifications as per ISO 4871)

Sound emission	FMT250SL (**)	FMT250QSL (**)
A-weighted emission pressure power level measured at the workplace L_{pA} (re 20 μPa), in decibels	74	74
Measuring uncertainty K_{pA} , in decibels	3	3
Measured A-weighted sound power level L_{wA} (re 1 pW), in decibels	85	85
Measuring uncertainty K_{wA} , in decibels	3	3
C-weighted peak sound pressure level measured at the workplace L_{pCpeak} , in decibels	96	96
Measuring uncertainty K_{pCpeak} , in decibels	3	3

REMARK: The sum of the measured emission value and respective measuring inaccuracy represents the upper limit of the values that can occur during measuring.

👂 Wear hearing protection!

Measured values determined in accordance with the corresponding product standard.

Vibration	<i>a</i> Weighted acceleration*
Classification of FEIN application tools according to vibration class	
VC0	< 2.5 m/s ² < 8 ft/s ²
VC1	< 5 m/s ² < 16 ft/s ²
VC2	< 7 m/s ² < 23 ft/s ²

* These values are based on a work cycle consisting of no-load and full-load operation of the same duration.
For information on the vibration class assigned to the application tool, please refer to the enclosed data sheet 3 41 30 443 06 0.

Vibration	<i>a</i>
VC3	< 10 m/s ² < 33 ft/s ²
VC4	< 15 m/s ² < 50 ft/s ²
VC5	> 15 m/s ² > 50 ft/s ²
Ka	1.5 m/s ² 4.92 ft/s ²

* These values are based on a work cycle consisting of no-load and full-load operation of the same duration.
For information on the vibration class assigned to the application tool, please refer to the enclosed data sheet 3 41 30 443 06 0.

Extension cable.

⚠ WARNING If the use of an extension cord is required, its length and conductor cross-section must be adequate for the application in order to prevent a voltage drop in the extension cord, power loss and overheating of the power tool. Otherwise, the extension cable and power tool are prone to electrical danger, and the working efficiency is decreased.

















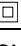
Recommended dimensions of extension cords at an operating voltage of 120 V – single-phase a. c., with only FMT250QSL (), FMT250SL (**):**

Max. cable length, ft			Max. cable length, m		
≤ 100	100 –200	200 –300	≤ 30	30 – 60	60 –100
Min. conductor size A.W.G.			Min. conductor cross-section, mm ²		
16	14	12	1.5	2.5	4

Intended use of the power tool:

Hand-guided oscillator for sanding small surfaces, corners and edges, for sawing thin parts of steel sheet, wood and plastic, for scraping, polishing, rasping, cutting and separating without water in weather-protected environments, using the application tools and accessories recommended by FEIN.

Symbols.

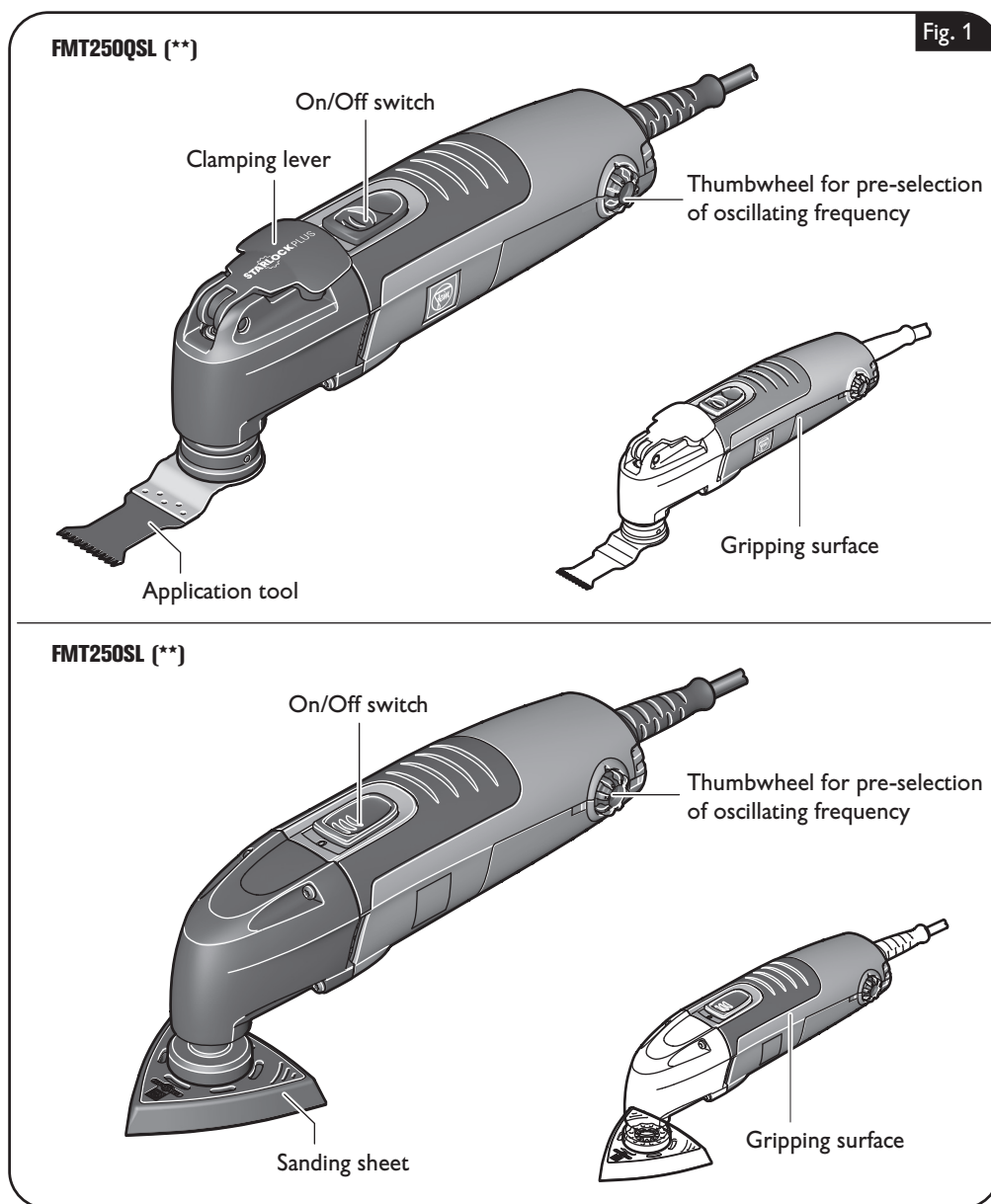
Symbol, character	Explanation
	Observe the instructions in the text or graphic opposite!
	General prohibition sign. This action is prohibited.
	Make sure to read the enclosed documents such as the Instruction Manual and the General Safety Instructions.
	Do not touch the saw blade. Danger of sharp application tools moving back and forth.
	Warning against sharp edges of application tools, such as the cutting edges of the cutter blades.
	Before commencing this working step, pull the power plug out of the socket. Otherwise there will be danger of injury if the power tool should start unintentionally.
	Use eye protection during operation.
	Wear hearing protection while working.
	Use a dust mask during operation.
	Use protective gloves during operation.
	Observe the notes in the text aside!
	This symbol confirms the certification of this product for the USA and Canada.
	This sign warns of a directly imminent, dangerous situation. A false reaction can cause a severe or fatal injury.
	This sign indicates a possible dangerous situation that could cause severe or fatal injury.
	This sign warns of a possible dangerous situation that could cause injury.
	Worn out power tools and other electrotechnical and electrical products should be sorted separately for environmentally-friendly recycling.
	Product with double or reinforced insulation
~ or a. c.	Alternating current
1 ~	Alternating current, single-phase

Character	Unit of measurement, national	Explanation
n_0	rpm; /min; min^{-1} ; r/min	Rated oscillation rate
P	W	Electrical power
	°	Oscillation angle
U	V	Electric voltage
f	Hz	Frequency
I	A	Electric current intensity
m	lbs	Mass
l	ft, in	Length, width, height, depth, diameter or thread
\varnothing	ft, in	Diameter of a round part
$K...$		Uncertainty
a	m/s^2	Vibrational emission value according to EN 60745 (vector sum of three directions)
	m, s, kg, A, mm, V, W, Hz, N, °C, dB, min, m/s^2	Basic and derived units of measurement from the international system of units SI .

Technical description and specifications.

⚠ WARNING Before mounting or replacing cutting tool or accessories, pull the power plug. This preventive safety measure rules out the danger of injuries through accidental starting of the power tool.

All accessories described or shown in this instruction manual will not be included with your power tool.



Type	FMT250SL (**)	FMT250QSL (**)
Order number	7 229 ...	7 229 ...
Current consumption	2.4 A	2.4 A
Rated oscillation rate	11000 – 20000 /min	11000 – 20000 /min
Amplitude	2 x 1.6°	2 x 1.6°
Weight according to EPTA-Procedure 01	2.64 lbs (1.2 kg)	2.64 lbs (1.2 kg)
Class of protection	□/II	□/II

Assembly instructions.

⚠ WARNING Before mounting or replacing cutting tool or accessories, pull the power plug. This preventive safety measure rules out the danger of injuries through accidental starting of the power tool.

⚠ CAUTION For all work or when changing application tools, always wear protective gloves. Danger of injury from the sharp edges of the application tools. Application tools can become very hot while working. Danger of burns!

Changing the tool (FMT250SL (**)) (figure 2).

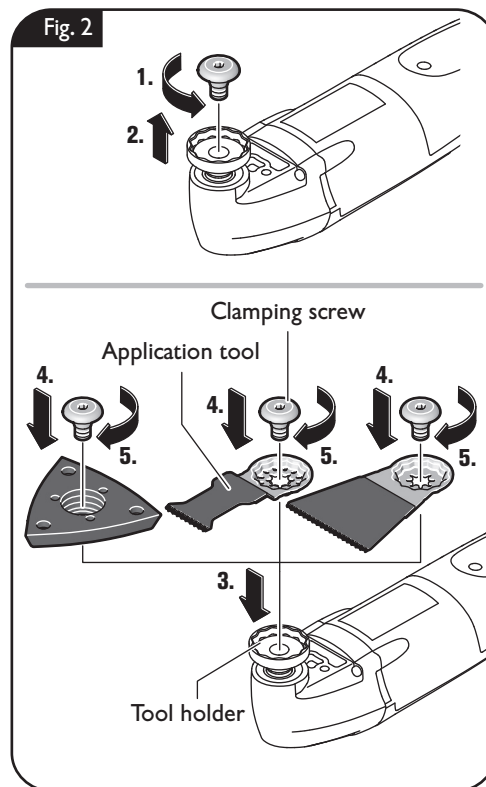
The application tool can be offset in 30° steps and fastened in the most favorable working position.

Unscrew the clamping screw.

Clean the tool holder, the application tool and the clamping screw.

Insert the application tool at the desired working position. Pay attention that the application tool is not seated uneven in the tool holder.

ⓘ Screw the clamping screw in to the stop.



Changing the tool (FMT250QSL (**)).

Before using, sharpen used and even new cutter blades with a sharpening stone.

The symptom for worn blades is a clearly increased feed force at lower working progress.

CAUTION Do not switch the power tool on while the clamping lever is open. Otherwise there is danger of crushes or contusions to the hand and fingers.

CAUTION Do not actuate the clamping lever while the power tool is running. Otherwise there is danger of injury.

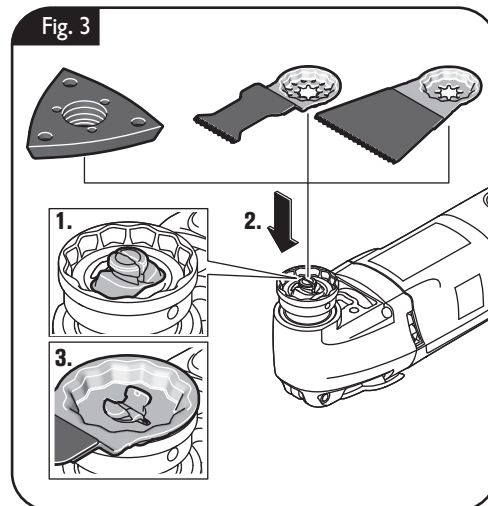
CAUTION Do not reach into the area of the clamping jaws. Otherwise there is danger of crushes or contusions to the fingers.

CAUTION Do not operate the power tool with open clamping jaws and without an application tool! This could damage the power tool.

CAUTION When the clamping jaws are open before the application tool is inserted, pivot the clamping lever toward the front and then back again. The clamping jaws are closed now. The application tool can be inserted.

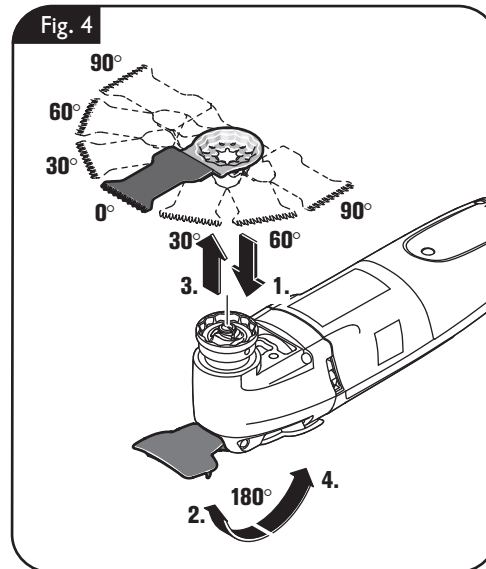
Inserting the application tool (figure 3).

Clean the tool holder and the application tool. In the starting position, the clamping jaws in the tool holder are together. In this position, the application tool can be clipped-in easily.



Positioning the tool (figure 4).

The application tool can be offset in 30° steps and fastened in the most favorable working position.

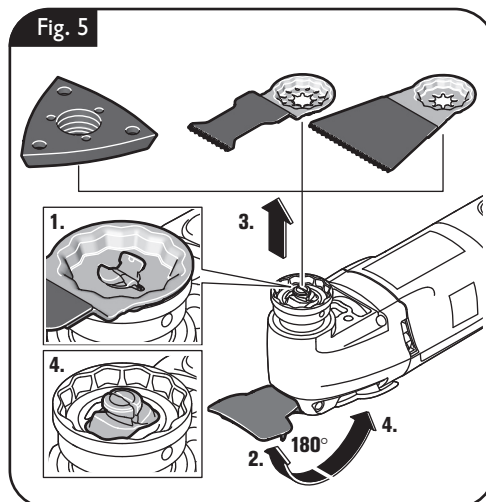
**Ejecting the application tool (figure 5).**

To eject the application tool and have the starting position set, move the clamping lever back to the stop; in this, the application tool is also released.

Pay attention that the application tool is seated straightly the tool holder.

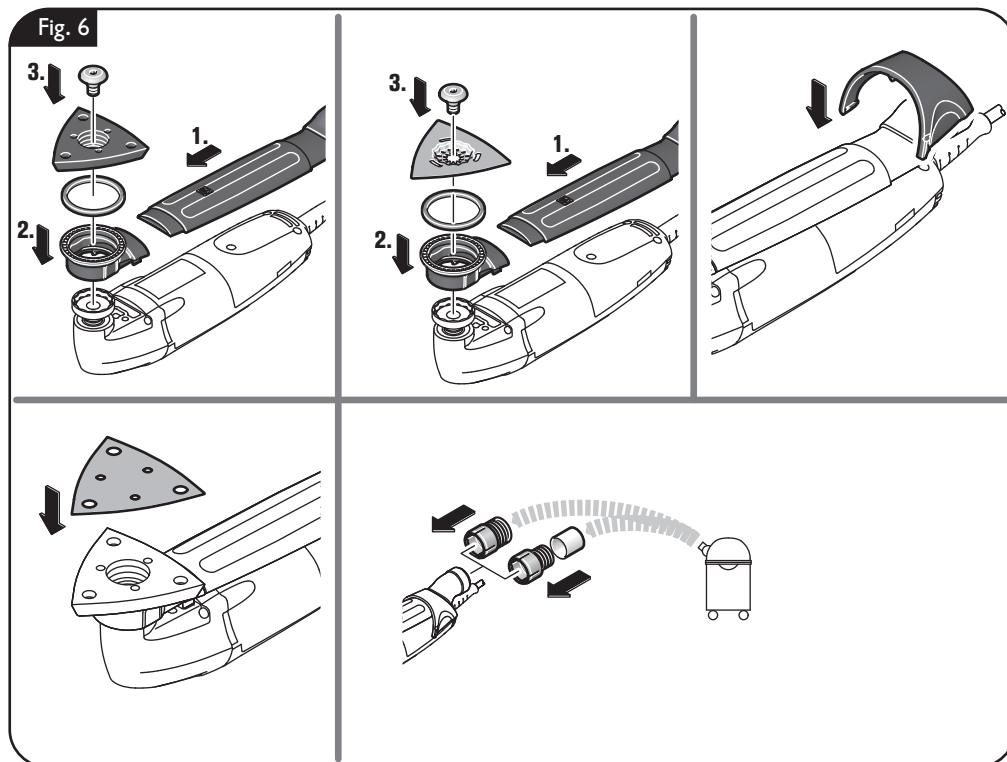
⚠ For all work or when changing application tools, always wear protective gloves.

Danger of injury from the sharp edges of the application tools. Application tools can become very hot while working. Danger of burns!



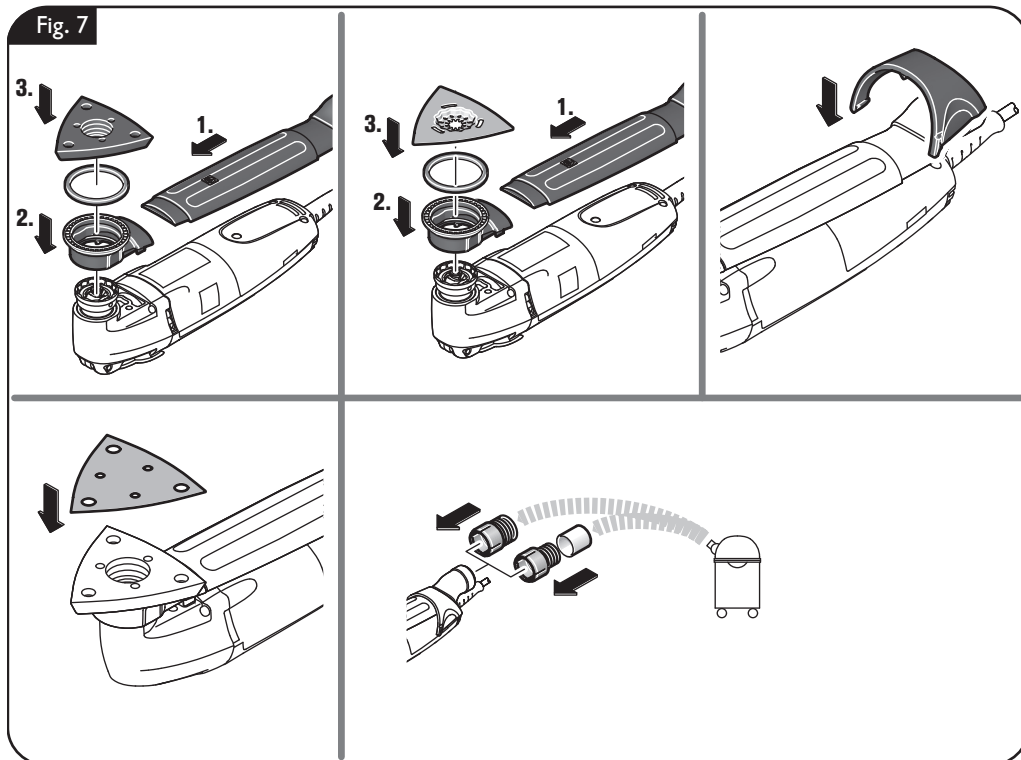
Dust extraction (FMT250SL ())
(figure 6).**

Mount the dust extraction.
Afterwards, mount the desired sanding sheet.
Connect a vacuum cleaner.



Dust extraction (FMT250QSL ())
(figure 7).**

Mount the dust extraction.
Afterwards, mount the desired sanding sheet.
Connect a vacuum cleaner.



Working instructions.

⚠ WARNING Before mounting or replacing cutting tool or accessories, pull the power plug. This preventive safety measure rules out the danger of injuries through accidental starting of the power tool.

Do not use accessories not specifically intended and recommended for this power tool by FEIN. The use of non-original FEIN accessories can lead to overheating of the power tool and destroy it.

⚠ CAUTION For each job, use only the FEIN application tool released and intended for the respective application.

Switching on and off (figure 8).

⚠ CAUTION Always hold the power tool firmly. Otherwise, you could lose control over the power tool.

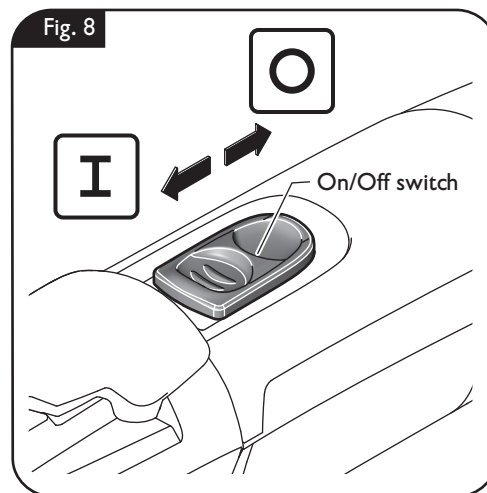
👉 Guide the power tool toward the work piece only when switched on.

Switching on:

Push the switch toward the front (I).

Switching off:

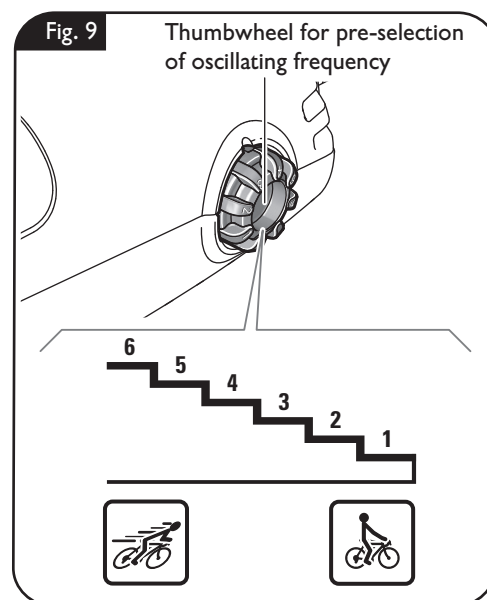
Push the switch toward the rear (O).



Setting the oscillating frequency (figure 9).

Adjust the oscillating frequency infinitely variable with the dial control.

Turn the dial control between "1" for the lowest speed and "6" for the highest speed.





Notes on sanding.

Press the power tool with the sanding sheet briefly and firmly against a flat surface and briefly switch the power tool on. This provides for good adhesion and prevents premature wear.

When only one tip or corner of the sanding sheet is worn, it can be removed again and reattached, turned by 120°.

Work with the entire surface of the sanding plate, not only with the edge or tip.

When sanding with small triangle sanding plates, select a high oscillating frequency (electronics level 4 – 6); when sanding with the round sanding plate and the large triangle sanding plate, select a moderate oscillating frequency (max. electronics level 4).

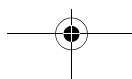
Sand with continuous motion applying moderate pressure. Applying excessive pressure does not increase the rate of removal, it only wears off the sanding sheet faster.

Notes on sawing.

Select a high oscillating frequency. Round saw blades can be released and clamped offset again, to allow for uniform wearing off.

Notes on scraping.

Select a moderate to high oscillating frequency.



Repair and customer service.

⚠ WARNING Before mounting or replacing cutting tool or accessories, pull the power plug. This preventive safety measure rules out the danger of injuries through accidental starting of the power tool.

Exchangeable parts.

If required, you can change the following parts yourself:

Clamping screw (FMT250SL (**)), application tools

Service.

⚠ WARNING Have maintenance carried out only through qualified personnel. Incorrectly mounted leads and components can cause serious injuries. Have the required service carried out only through a FEIN customer service agent.

The current spare parts list for this power tool can be found in the Internet at www.fein.com.

Cleaning.

⚠ WARNING Prior to any cleaning or maintenance, disconnect the power tool from the power supply in order to avoid accidents.

⚠ WARNING When using in environments with conductive dust in the air, such as when cutting metals, this dust can settle in the interior of the power tool. This can impair the total insulation of the

power tool. Therefore, regularly blow out the interior of the power tool from outside via the ventilation openings with dry, oil-free compressed air; always wear eye protection when doing this. For additional protection, connect a ground fault circuit interrupter (GFCI) on the line side.

⚠ CAUTION Do not attempt to clean clogged or dirty ventilation openings of the power tool with pointed metal objects; use nonmetal tools or objects if necessary.

⚠ CAUTION Do not use cleaning agents and solvents that can cause damage to plastic parts. These include: Gasoline, carbon-tetrachloride, chloric solvents, ammonia and domestic cleaning agents that contain ammonia.

⚠ CAUTION If the supply cable of this power tool is damaged, it must be replaced by a specially prepared cable available through the FEIN customer service center.

FMT250SL: For storage of the power tool, remove the application tool and screw the clamping screw in to the stop.

Warranty and liability.

The warranty for the product is valid in accordance with the legal regulations in the country where it is marketed. In addition, FEIN also provides a guarantee in accordance with the FEIN manufacturer's warranty declaration.

All accessories described or shown in this instruction manual will not be included with your power tool.

Environmental protection, disposal.

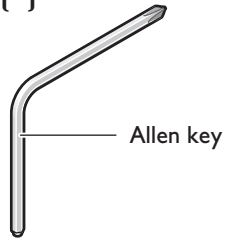
Packaging, worn out power tools and accessories should be sorted for environmental-friendly recycling.



Provided accessories (figure 10).

Fig. 10

FMT250SL (**)



Allen key



Pour votre sécurité.

⚠ AVERTISSEMENT Lisez tous les avertissements de sécurité et

toutes les instructions. Ne pas suivre les avertissements et instructions peut donner lieu à une électrocution, un incendie et/ou une blessure sérieuse.

Conservez tous les avertissements et toutes les instructions pour pouvoir vous y reporter ultérieurement.

⚠ Ne pas utiliser cet outil électrique avant d'avoir soigneusement lu et parfaitement compris cette notice d'utilisation y compris les figures, les spécifications, les consignes de sécurité ainsi que les indications marquées par DANGER, AVERTISSEMENT et ATTENTION.

N'utiliser cet outil électrique que pour les travaux pour lesquels il a été conçu par FEIN. N'utiliser que des outils de travail et accessoires autorisés par FEIN.

De même, respectez les dispositions concernant la prévention des accidents du travail en vigueur dans le pays en question.

Le non-respect des instructions de sécurité se trouvant dans la documentation mentionnée peut entraîner un choc électrique, un incendie et/ou de graves blessures.

Bien garder cette notice d'utilisation en vue d'une utilisation ultérieure ; elle doit être jointe à l'appareil en cas de transmission ou de vente à une tierce personne.

GARDER SOIGNEUSEMENT CES INSTRUCTIONS DE SECURITE.

Le terme « outil électrique » dans les consignes de sécurité fait référence à votre outil électrique alimenté par le secteur (avec cordon d'alimentation) ou votre outil fonctionnant sur batterie (sans cordon d'alimentation).

Instructions générales de sécurité.

1) Zone de travail

a) Conserver la zone de travail propre et bien éclairée. Les zones en désordre ou sombres sont propices aux accidents.

b) Ne pas faire fonctionner les outils électriques en atmosphère explosive, par exemple en présence de liquides inflam-

mables, de gaz ou de poussières. Les outils électroportatifs produisent des étincelles qui peuvent enflammer les poussières ou les fumées.

c) Maintenir les enfants et les personnes présentes à l'écart pendant l'utilisation de l'outil. Les distractions peuvent vous faire perdre le contrôle de l'outil.

2) Sécurité électrique

a) Il faut que les fiches de l'outil électrique soient adaptées au socle. Ne jamais modifier la fiche de quelque façon que ce soit. Ne pas utiliser d'adaptateurs avec des outils à branchement de terre. Des fiches non modifiées et des socles adaptés réduiront le risque de choc électrique.

b) Eviter tout contact du corps avec des surfaces reliées à la terre telles que les tuyaux, les radiateurs, les cuisinières et les réfrigérateurs. Il existe un risque accru de choc électrique si votre corps est relié à la terre.

c) Ne pas exposer les outils à la pluie ou à des conditions humides. La pénétration d'eau à l'intérieur d'un outil augmentera le risque de choc électrique.

d) Ne pas maltraiter le cordon. Ne jamais utiliser le cordon pour porter, tirer ou débrancher l'outil. Maintenir le cordon à l'écart de la chaleur, du lubrifiant, des arêtes ou des parties en mouvement. Des cordons endommagés ou emmêlés augmentent le risque de choc électrique.

e) Lorsqu'on utilise un outil à l'extérieur, utiliser un prolongateur adapté à l'utilisation extérieure. L'utilisation d'un cordon adapté à l'utilisation extérieure réduit le risque de choc électrique.

f) Si l'usage d'un outil dans un emplacement humide est inévitable, utilisez une alimentation protégée par un dispositif à courant différentiel résiduel (RCD). L'usage d'un RCD réduit le risque de choc électrique.

3) Sécurité des personnes

a) Rester vigilant, regarder ce que vous êtes en train de faire. Faire preuve de bon sens dans votre utilisation de l'outil. Ne pas utiliser un outil lorsque vous êtes fatigué ou sous l'emprise de drogues,

- d'alcool ou de médicaments. Un moment d'inattention en cours d'utilisation d'un outil peut entraîner des blessures graves des personnes.
- b) Utiliser un équipement de sécurité. Toujours porter une protection pour les yeux.** Les équipements de sécurité tels que les masques contre les poussières, les chaussures de sécurité antidérapantes, les casques ou les protections acoustiques utilisés pour les conditions appropriées réduiront les blessures de personnes.
- c) Éviter tout démarrage intempestif. S'assurer que l'interrupteur est en position arrêt avant de retirer la fiche de la prise de courant.** Porter les outils en ayant le doigt sur l'interrupteur ou brancher des outils dont l'interrupteur est en position marche est source d'accidents.
- d) Retirer toute clé de réglage avant de mettre l'outil en marche.** Une clé laissée fixée sur une partie tournante de l'outil peut donner lieu à des blessures de personnes.
- e) Ne pas se précipiter. Garder une position et un équilibre adaptés à tout moment.** Cela permet un meilleur contrôle de l'outil dans des situations inattendues.
- f) S'habiller de manière adaptée. Ne pas porter de vêtements amples ou de bijoux. Garder les cheveux, les vêtements et les gants à distance des parties en mouvement.** Des vêtements amples, des bijoux ou les cheveux longs peuvent être pris dans des parties en mouvement.
- g) Si des dispositifs sont fournis pour le raccordement d'équipements pour l'extraction et la récupération des poussières, s'assurer qu'ils sont connectés et correctement utilisés.** Utiliser des collecteurs de poussière peut réduire les risques dus aux poussières.
- 4) Utilisation et entretien de l'outil**
- a) Ne pas forcer l'outil. Utiliser l'outil adapté à votre application.** L'outil adapté réalisera mieux le travail et de manière plus sûre au régime pour lequel il a été construit.
- b) Ne pas utiliser l'outil si l'interrupteur ne permet pas de passer de l'état de marche à arrêt et vice versa.** Tout outil qui ne peut pas être commandé par l'interrupteur est dangereux et il faut le réparer.
- c) Débrancher la fiche de la source d'alimentation en courant et/ou le bloc de batteries de l'outil avant tout réglage, changement d'accessoires ou avant de ranger l'outil.** De telles mesures de sécurité préventives réduisent le risque de démarrage accidentel de l'outil.
- d) Conserver les outils à l'arrêt hors de la portée des enfants. Ne pas permettre à des personnes ne connaissant pas l'outil ou les présentes instructions de le faire fonctionner.** Les outils sont dangereux entre les mains d'utilisateurs novices.
- e) Observer la maintenance de l'outil. Vérifier qu'il n'y a pas de mauvais alignement ou de blocage des parties mobiles, des pièces cassées ou toute autre condition pouvant affecter le fonctionnement de l'outil. En cas de dommages, faire réparer l'outil avant de l'utiliser.** De nombreux accidents sont dus à des outils mal entretenus.
- f) Garder affûtés et propres les outils permettant de couper.** Des outils destinés à couper correctement entretenus avec des pièces coupantes tranchantes sont moins susceptibles de bloquer et sont plus faciles à contrôler.
- g) Utiliser l'outil, les accessoires et les lames etc., conformément à ces instructions et aux prescriptions en vigueur pour ce type d'appareil. Tenir compte également des conditions de travail et du travail à réaliser.** L'utilisation de l'outil pour des opérations différentes de celles prévues pourrait donner lieu à des situations dangereuses.
- 5) Maintenance et entretien**
- a) Faire entretenir l'outil par un réparateur qualifié utilisant uniquement des pièces de rechange identiques.** Cela assurera que la sécurité de l'outil est maintenue.

Instructions particulières de sécurité.

Tenir l'outil par les surfaces de préhension isolées, lors de la réalisation d'une opération au cours de laquelle l'organe de coupe peut entrer en contact avec un câblage non apparent ou son propre cordon d'alimentation. Le contact avec un fil « sous tension » peut également mettre « sous tension » les parties métalliques exposées de l'outil électrique et provoquer un choc électrique sur l'opérateur.

Utiliser des bornes ou une autre méthode pratique pour bloquer et soutenir la pièce sur un support stable. Si vous ne tenez la pièce que par votre main ou contre votre corps, elle est dans une position instable, ce qui peut entraîner une perte de contrôle.

N'utilisez pas des accessoires qui n'ont pas été spécialement conçus ou autorisés par le fabricant de l'outil électrique. Le seul fait qu'un accessoire puisse être monté sur votre outil électrique ne garantit pas une utilisation sans risque.

Tenir l'outil électrique fermement, en faisant attention à ce que votre corps ne puisse jamais entrer en contact avec l'outil de travail, en particulier lorsque vous travaillez avec des outils dirigés vers la poignée tels que lames de scie ou outils de coupe. Le contact avec des bords ou coins tranchants peut entraîner des blessures.

Porter un équipement de protection individuelle. En fonction de l'application, utiliser un écran facial, des lunettes de sécurité ou des verres de sécurité. Le cas échéant, utiliser un masque antipoussières, des protections audi-

tives, des gants et un tablier capables d'arrêter les petits fragments abrasifs ou des pièces à usiner. La protection oculaire doit être capable d'arrêter les débris volants produits par les diverses opérations. Le masque antipoussières ou le masque respiratoire doit être capable de filtrer les particules produites par vos travaux. L'exposition prolongée aux bruits de forte intensité peut provoquer une perte de l'audition.

Ne dirigez pas l'outil électrique vers vous-même ou vers d'autres personnes ou des animaux. Il y a un danger de blessure causé par des outils de travail tranchants ou chauds.

Il est interdit de visser ou de riveter des plaques ou des repères sur l'outil électrique.

Une isolation endommagée ne présente aucune protection contre une électrocution. Utilisez des autocollants.

Nettoyez régulièrement les ouïes de ventilation de l'outil électrique avec des outils non métalliques. La ventilation du moteur aspire la poussière à l'intérieur du carter. Une trop grande quantité de poussière de métal accumulée peut provoquer des incidents électriques.

Avant la mise en service, assurez-vous que le câble de raccordement et la fiche sont en parfait état.

Recommandation : Faites toujours fonctionner l'outil électrique sur un réseau électrique équipé d'un disjoncteur différentiel 30 mA max.

Maniement de poussières nocives.

⚠ AVERTISSEMENT Lors du travail avec des outils, par ex. lors du ponçage, polissage, sciage ou d'autres opérations enlevant du matériau, des poussières sont générées qui peuvent être nocives pour la santé, auto-inflammables ou explosives.

Toucher ou aspirer certaines poussières peut causer des réactions allergiques et/ou des maladies respiratoires, un cancer, des malformations à la naissance ou autres anomalies de reproduction auprès de l'utilisateur ou de personnes se trouvant à proximité.

Quelques exemples de tels matériaux et des produits chimiques qu'ils contiennent dont l'usage génère des poussières nocives :

- l'amiante et les matériaux contenant de l'amiante ;
- peintures contenant du plomb, certains bois tels que le bois de chêne et de hêtre ;
- minéraux et métal ;
- les particules de silicate contenues dans les briques, le béton et autres matériaux contenant de la roche ;
- les solvants contenus dans les vernis et peintures ;
- l'arsenic, le chrome et d'autres lazures ;

- produits pour la lutte contre les vermines sur la coque de bateaux et de bâtiments ;
- poussières d'aciers fins, poussières de métaux et poussières de métaux non-ferreux.

Pour minimiser la résorption indésirable de ces matériaux :

- utiliser une aspiration adaptée à la poussière générée.
- Utilisez des équipements personnels de protection tels que par exemple un masque anti-poussière de la classe filtre P2.
- Veillez à bien aérer la zone de travail.

Le risque causé par le fait d'aspirer des poussières dans les poumons dépend de la fréquence à laquelle ces matériaux sont travaillés. Les matériaux contenant de l'amiante ne doivent être travaillés que par des personnes qualifiées.

ATTENTION Les poussières de bois et les poussières de métaux légers peuvent causer une auto-inflammation ou une explosion.

Des mélanges chauds de poussières de ponçage contenant des résidus de vernis, de polyuréthane ou de produits chimiques dans le sac à poussières en papier ou dans le filtre de l'aspirateur peuvent s'enflammer dans des conditions défavorables tels que projection d'étincelles lors du ponçage de métaux, soleil direct permanent ou température ambiante élevée. Pour prévenir ces conditions :

- Evitez la surchauffe des matériaux usinés et de l'outil électrique.
- Videz le bac de récupération des poussières à temps.
- Respectez les indications de travail du fabricant du matériau.
- Respectez les règlements en vigueur dans votre pays spécifiques aux matériaux à traiter.

Vibrations mains-bras.

AVERTISSEMENT Des vibrations mains-bras sont générées lors du travail avec cet outil électrique. Celles-ci peuvent entraîner des effets néfastes sur la santé.

AVERTISSEMENT La valeur réelle des vibrations lors de l'utilisation de l'outil électrique peut dévier des valeurs indiquées, en fonction de l'utilisation de l'outil électrique.

AVERTISSEMENT Pour protéger l'opérateur, des mesures de sécurité doivent être déterminées sur la base de la sollicitation vibratoire estimée pendant l'utilisation effective.

Le niveau d'oscillation indiqué dans ces instructions d'utilisation a été mesuré conformément à la norme EN 60745 et peut être utilisé pour une comparaison d'outils électroportatifs. Il est également approprié pour une estimation préliminaire de la charge vibratoire.

Le niveau d'oscillation correspond aux utilisations principales de l'outil électroportatif. Si l'outil électrique est cependant utilisé pour d'autres applications, avec d'autres outils de travail ou avec un entretien non approprié, le niveau d'oscillation peut être différent. Ceci peut augmenter considérablement la charge vibratoire pendant toute la durée de travail. Pour une estimation précise de la charge vibratoire, il est recommandé de prendre aussi en considération les périodes pendant lesquelles l'appareil est éteint ou en fonctionnement, mais pas vraiment utilisé. Ceci peut réduire considérablement la charge vibratoire pendant toute la durée de travail.

Déterminez des mesures de protection supplémentaires pour protéger l'utilisateur des effets de vibrations, telles que par exemple : entretien de l'outil électrique et des outils de travail, maintenir les mains chaudes, organisation judicieuse des opérations de travail.

Valeurs d'émission pour niveau sonore et vibration (Indication à deux chiffres conformément à la norme ISO 4871)

Emission acoustique	FMT250SL (**)	FMT250QSL (**)
Mesure réelle (A) du niveau de pression acoustique sur le lieu de travail L_{pA} (re 20 μ Pa), en décibel	74	74
Incertitude K_{pA} , en décibel	3	3
Mesure réelle (A) du niveau d'intensité acoustique pondéré L_{WA} (re 1 pW), en décibel	85	85
Incertitude K_{WA} , en décibel	3	3
Mesure réelle (C) du niveau max. de pression acoustique sur le lieu de travail L_{pCpeak} en décibel	96	96
Incertitude K_{pCpeak} en décibel	3	3

REMARQUE : La somme de la valeur d'émission mesurée et de l'incertitude constitue la limite supérieure des valeurs qui peuvent apparaître pendant des mesurages.

 Porter une protection acoustique !

Valeurs de mesure mesurées conformément à la norme correspondante du produit.

Vibration	<i>a</i>
Classement des outils FEIN suivant la classe de vibrations	Accélération réelle mesurée*
<i>VC0</i>	< 2.5 m/s ² < 8 ft/s ²
<i>VC1</i>	< 5 m/s ² < 16 ft/s ²
<i>VC2</i>	< 7 m/s ² < 23 ft/s ²
<i>VC3</i>	< 10 m/s ² < 33 ft/s ²
<i>VC4</i>	< 15 m/s ² < 50 ft/s ²
<i>VC5</i>	> 15 m/s ² > 50 ft/s ²
<i>Ka</i>	1.5 m/s ² 4.92 ft/s ²

* Ces valeurs sont basées sur un cycle de travail consistant en un service à vide et un service à pleine charge d'une même durée.
Pour le classement de l'outil de travail suivant la classe de vibrations, voir la feuille jointe 3 41 30 443 06 0.

Câble de rallonge.

⚠ AVERTISSEMENT Au cas où une rallonge serait nécessaire, la longueur ainsi que la section du conducteur de celle-ci doivent être appropriées à l'utilisation afin d'éviter une baisse de tension dans la rallonge, une perte de puissance et une surchauffe de l'outil électrique. Sinon la rallonge et l'outil électrique présentent des dangers électriques et l'efficacité du travail est entravée.

Dimensions recommandées pour câbles de rallonge pour une tension de service de 120 V courant alternatif monophasé si seulement FMT250QSL (), FMT250SL (**), est connecté :**

Longueur du câble en pieds			Longueur du câble en m		
≤ 100	100 -200	200 -300	≤ 30	30 - 60	60 -100
Dimension min. du conducteur en format américain (A.W.G.)			Section min. du conducteur, mm ²		
16	14	12	1.5	2.5	4

Conception de l'outil électrique :

machine oscillante portable pour le ponçage à sec de petites surfaces, coins et bords, pour le sciage de plaques en tôle, en bois et en matières plastiques de faible épaisseur, pour le grattage, le polissage, le râpage, le découpage et le tronçonnage à l'abri des intempéries avec les outils de travail et les accessoires autorisés par FEIN.

Symboles.

Symbole, signe	Explication
	Suivre les indications données dans le texte ou la représentation graphique ci-contre !
	Signal d'interdiction général. Cette action est interdite !
	Lire impérativement les documents ci-joints tels que la notice d'utilisation et les instructions générales de sécurité.
	Ne pas toucher la lame de scie. Danger provoqué par des outils de travail tranchants en mouvement.
	Attention aux bords tranchants des outils de travail tels que les lames des couteaux.
	Avant d'effectuer ce travail, retirez la fiche de la prise de courant. Sinon, il y a risque de blessures dû à un démarrage non intentionné de l'outil électrique.
	Lors des travaux, porter une protection oculaire.
	Lors des travaux, porter une protection acoustique.
	Lors des travaux, porter une protection anti-poussière.
	Lors des travaux, utiliser un protège-main.
	Suivre les indications données dans le texte ci-contre !
	Ce symbole confirme la certification de ce produit aux États-Unis et au Canada.
	Cette indication met en garde contre une situation dangereuse imminente. Une mauvaise manipulation peut entraîner de graves blessures ou la mort.
	Cette indication indique une situation éventuellement dangereuse pouvant entraîner de graves blessures ou la mort.
	Cette indication met en garde contre une situation potentiellement dangereuse qui peut entraîner des blessures.
	Trier les outils électriques ainsi que tout autre produit électrotechnique et électrique et les déposer à un centre de recyclage respectant les directives relatives à la protection de l'environnement.
	Produit avec double isolation ou isolation renforcée
~ ou a. c.	Courant alternatif
1 ~	Courant alternatif, monophasé

Signe	Unité nationale	Explication
n_0	rpm; /min; min^{-1} ; r/min	Vitesse de référence
P	W	Unité de mesure pour la puissance électrique
	°	Angle d'oscillation
U	V	Unité de mesure pour la tension électrique
f	Hz	Unité de mesure pour la fréquence
I	A	Unité de mesure pour l'intensité du courant électrique
m	lbs	Unité de mesure pour la masse
l	ft, in	Unité de mesure pour longueur, largeur, hauteur, profondeur, diamètre ou filetage
\varnothing	ft, in	Diamètre d'un élément
$K...$		Incertitude
a	m/s^2	Valeur d'émission vibratoire conformément à la norme EN 60745 (somme vectorielle des trois axes directionnels)
	m, s, kg, A, mm, V, W, Hz, N, °C, dB, min, m/s^2	Unités de base et unités dérivées du système international SI .

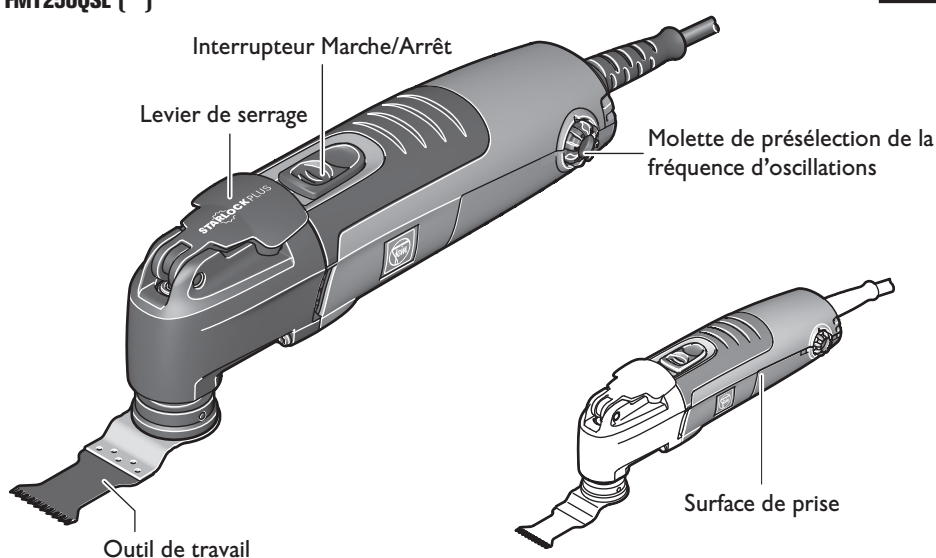
Description technique et spécification.

⚠ AVERTISSEMENT Avant de commencer les travaux de montage ou avant de changer les outils de travail et les accessoires, retirer la fiche de secteur. Cette mesure de sécurité préventive exclut un danger de blessure causé par un démarrage non intentionné de l'outil électrique.

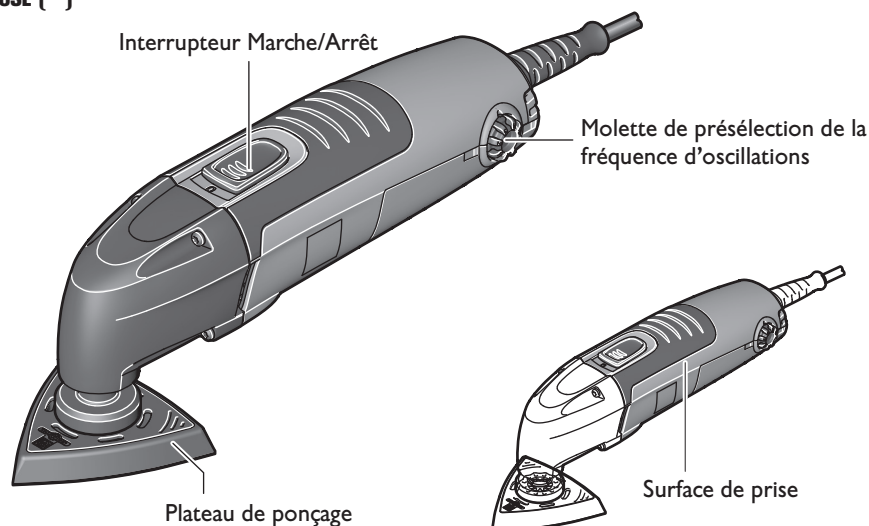
Il se peut que seule une partie des accessoires décrits ou représentés dans cette notice d'utilisation soit fournie avec l'outil électrique.

FMT250QSL (**)

Fig. 1



FMT250SL (**)





30

fr

Type	FMT250SL (**)	FMT250QSL (**)
Référence	7 229 ...	7 229 ...
Courant absorbé	2.4 A	2.4 A
Vitesse de référence	11000 – 20000 tr/min	11000 – 20000 tr/min
Amplitude	2 x 1.6°	2 x 1.6°
Poids suivant EPTA-Procedure 01	2.64 lbs (1.2 kg)	2.64 lbs (1.2 kg)
Classe de protection	□/II	□/II



Indications de montage.

⚠ AVERTISSEMENT Avant de commencer les travaux de montage ou avant de changer les outils de travail et les accessoires, retirer la fiche de secteur. Cette mesure de sécurité préventive exclut un danger de blessure causé par un démarrage non intentionné de l'outil électrique.

⚠ ATTENTION Pour tous les travaux ou pour remplacer les outils de travail, porter toujours des gants de protection. Les bords tranchants des outils de travail présentent des risques de blessure. Les outils de travail peuvent devenir très chauds lors du travail, danger de brûlure !

Changement d'outil (FMT250SL (**)) (figure 2).

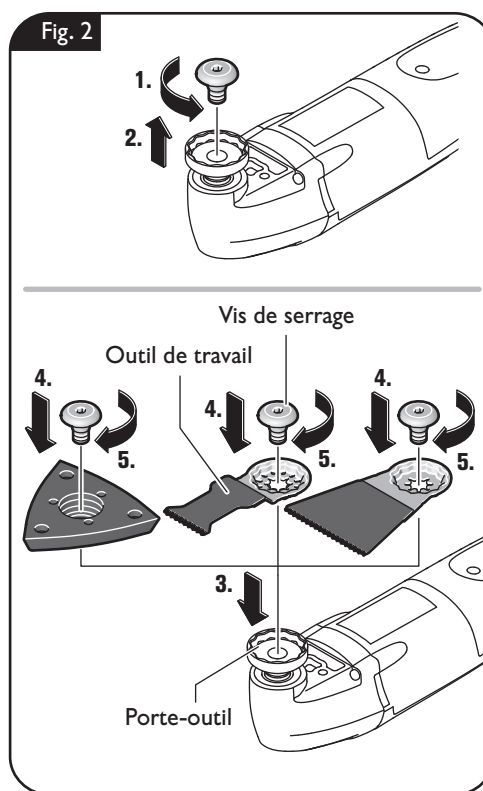
Il est possible de déplacer l'outil de travail par étapes de 30° et de le fixer dans la position de travail la plus favorable.

Dévisser la vis de serrage.

Nettoyer le porte-outil, l'accessoire et la vis de serrage.

Monter l'accessoire dans la position de travail souhaitée. Veiller à ce que l'accessoire ne repose pas de biais dans le porte-outil.

! Visser la vis de serrage jusqu'à la butée.



Changement d'outil (FMT250QSL (**)).

Aiguiser les lames usées ainsi que les lames neuves avant chaque utilisation à l'aide de la pierre à aiguiser.

Une dégradation de la vitesse de coupe laisse présager une usure des lames.

ATTENTION Ne pas mettre en marche l'outil électrique avec levier de serrage ouvert. Danger d'écrasement de la main et des doigts.

ATTENTION Ne pas actionner le levier de serrage quand la machine est en marche. Risque de blessures.

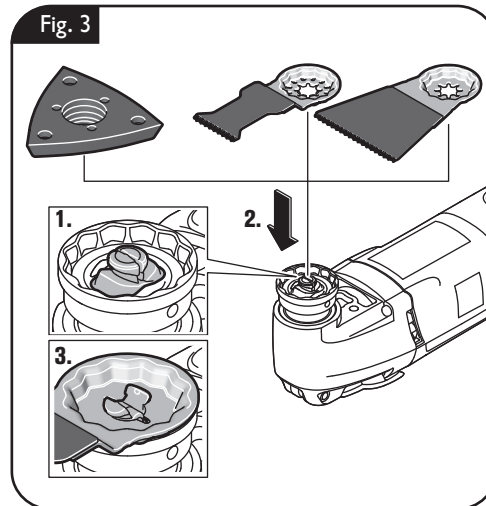
ATTENTION Ne pas mettre les mains dans la zone des mâchoires de serrage. Danger d'écrasement des doigts.

ATTENTION Ne pas utiliser l'outil électrique avec mâchoires de serrage ouvertes sans outil de travail ! Ceci pourrait endommager l'outil électrique.

ATTENTION Si les mâchoires de serrage sont ouvertes avant le montage de l'outil de travail, faire pivoter le levier de serrage vers l'avant et vers l'arrière. Les mâchoires de serrage se ferment. L'outil de travail peut être mis en place.

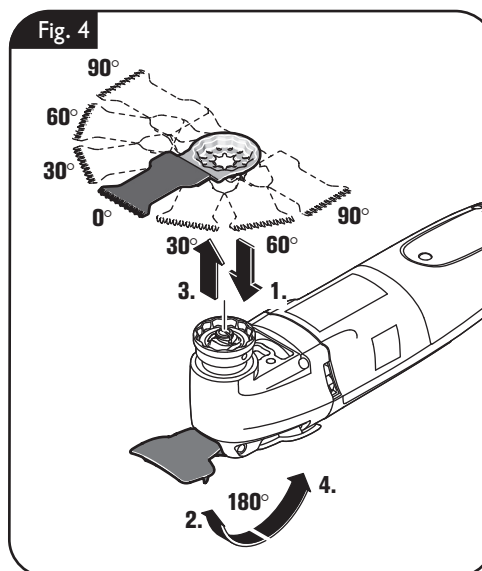
Montage de l'outil de travail (figure 3).

Nettoyez le porte-outil et l'outil de travail. En position initiale, les mâchoires de serrage sont fermées dans le porte-outil. L'outil de travail se laisse encliqueter dans cette position.



Positionnement de l'outil (figure 4).

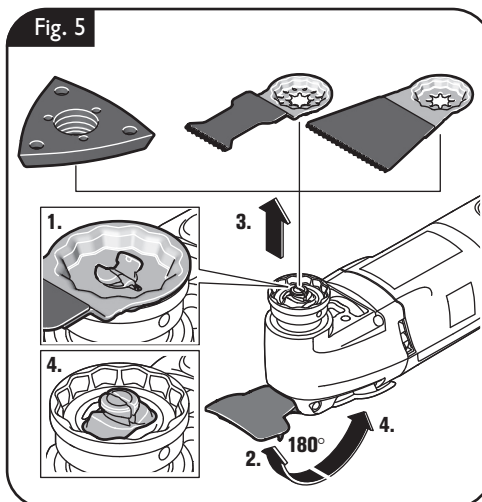
Il est possible de déplacer l'outil de travail par étapes de 30° et de le fixer dans la position de travail la plus favorable.

**Éjection de l'outil de travail (figure 5).**

Pour éjecter l'outil de travail et pour atteindre la position initiale des mâchoires de serrage, déplacer le levier jusqu'à la butée puis vers l'arrière ; l'outil de travail se desserre.

Veiller à ce que l'outil de travail ne repose pas de biais dans le porte-outil.

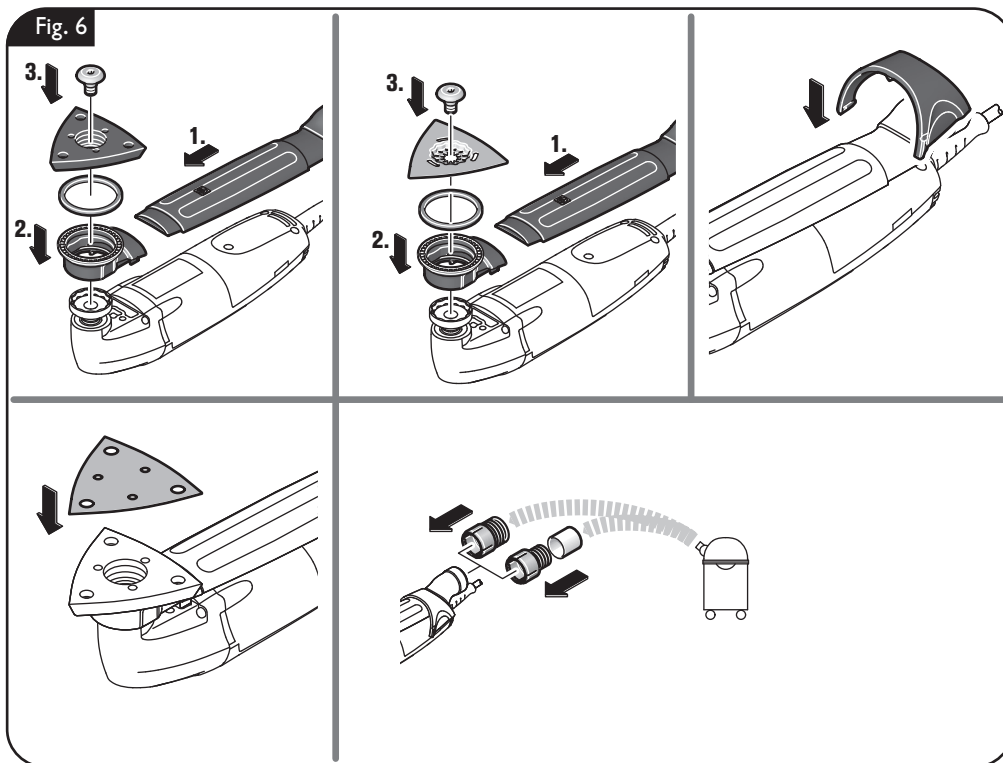
⚠ Pour tous les travaux ou pour remplacer les outils de travail, porter toujours des gants de protection. Les bords tranchants des outils de travail présentent des risques de blessure. Les outils de travail peuvent devenir très chauds lors du travail, danger de brûlure !



Dispositif d'aspiration des poussières (FMT250SL ()) (figure 6).**

Monter le dispositif d'aspiration des poussières.

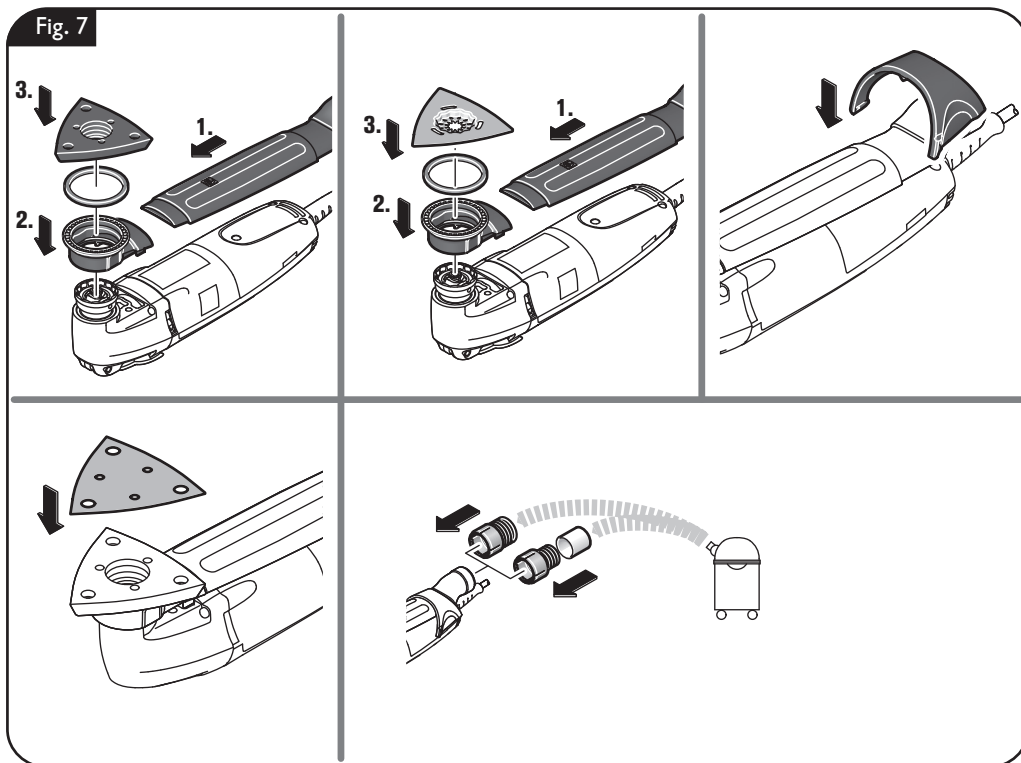
Ensuite, monter l'outil de travail souhaité.
Raccorder un aspirateur.



**Dispositif d'aspiration des poussières
(FMT250QSL (**)) (figure 7).**

Monter le dispositif d'aspiration des poussières.

Ensuite, monter l'outil de travail souhaité.
Raccorder un aspirateur.



Indications pour le travail.

⚠ AVERTISSEMENT Avant de commencer les travaux de montage ou avant de changer les outils de travail et les accessoires, retirer la fiche de secteur. Cette mesure de sécurité préventive exclut un danger de blessure causé par un démarrage non intentionné de l'outil électrique.

N'utilisez pas d'accessoires non conçus spécifiquement et recommandés par FEIN pour cet outil électrique. Le fait d'utiliser des accessoires qui ne sont pas d'origine FEIN risque de surchauffer l'outil électrique et de le détruire.

⚠ ATTENTION N'utiliser que des outils de travail FEIN conçus et autorisés pour l'utilisation correspondante.

Mise en fonctionnement/Arrêt (figure 8).

⚠ ATTENTION Toujours bien tenir l'outil électroportatif. Vous risquez sinon de perdre le contrôle de l'outil électrique.

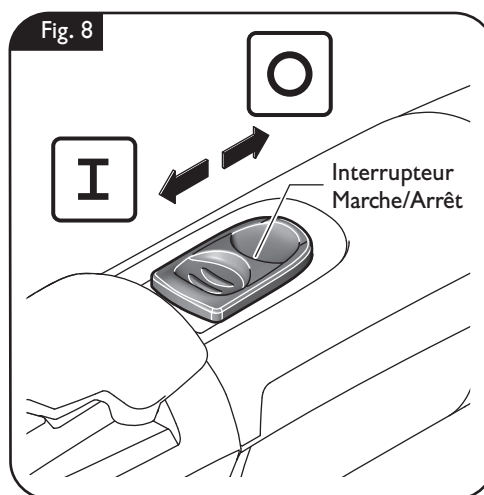
🚫 Ne guider l'outil électroportatif contre la pièce à travailler que lorsque l'appareil est en marche.

Mise en fonctionnement :

Poussez l'interrupteur (I) vers l'avant.

Arrêt :

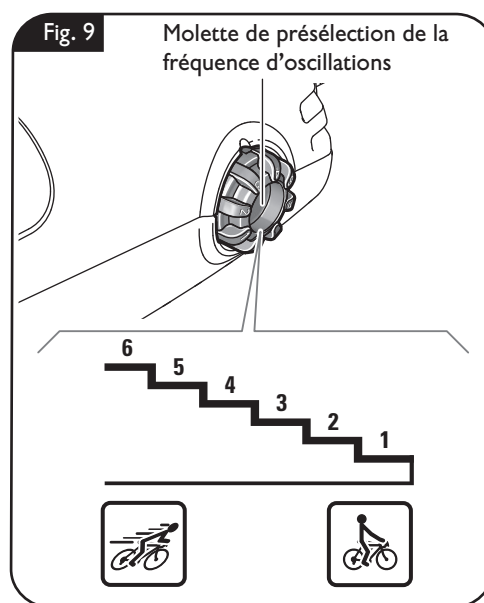
Poussez l'interrupteur vers l'arrière (O).



Réglage de la fréquence d'oscillation (figure 9).

Régler la fréquence d'oscillation en continu à l'aide de la molette de réglage.

Positionnez la molette de réglage entre « 1 » pour la vitesse de rotation la plus basse et « 6 » pour la vitesse la plus élevée.





Renseignements pour le ponçage.

Appuyez brièvement et fortement la feuille abrasive de l'outil électrique sur une surface plane et mettez brièvement l'outil électrique en marche. Ceci permet d'obtenir une bonne adhérence et empêche une usure précoce.

Il est possible de retirer la feuille abrasive et de la remonter tournée de 120°, si seule une pointe de la feuille abrasive est usée.

Travailler avec toute la surface du plateau de ponçage, pas seulement avec la pointe.

Choisissez une fréquence d'oscillation élevée (électronique vitesse 4–6) lorsque vous utilisez les petits plateaux triangulaires et une fréquence moyenne (électronique vitesse 4 max.) lorsque vous utilisez le grand plateau triangulaire.

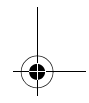
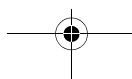
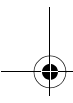
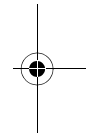
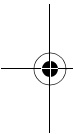
Poncez par un mouvement continu et en appliquant une légère pression. Une pression trop élevée n'augmente pas l'enlèvement de matière mais l'usure de la feuille abrasive.

Renseignements pour le sciage.

Choisissez une fréquence d'oscillation élevée. Il est possible d'enlever les lames rondes et de les refixer tournées pour garantir une usure régulière.

Renseignements pour le grattage.

Choisissez une fréquence d'oscillation moyenne à élevée.



Travaux d'entretien et service après-vente.

⚠ AVERTISSEMENT Avant de commencer les travaux de montage ou avant de changer les outils de travail et les accessoires, retirer la fiche de secteur. Cette mesure de sécurité préventive exclut un danger de blessure causé par un démarrage non intentionné de l'outil électrique.

Pièces remplaçables.

Si nécessaire, vous pouvez vous-même remplacer les éléments suivants :

Vis de serrage (FMT250SL (**)), accessoires

Service après-vente.

⚠ AVERTISSEMENT Ne faire effectuer les travaux d'entretien que par des personnes qualifiées. Les câbles et éléments mal montés peuvent présenter des risques graves. Ne faire effectuer le service d'entretien nécessaire que par une station de service après-vente FEIN.

Vous trouverez la liste actuelle des pièces de rechange pour cet outil électroportatif sur notre site www.fein.com.

Nettoyage.

⚠ AVERTISSEMENT Afin d'éviter des accidents, débranchez l'outil électrique de l'alimentation en courant avant d'effectuer un nettoyage ou des travaux d'entretien ou de maintenance.

⚠ AVERTISSEMENT S'il y a de la poussière conductrice dans l'air lors de l'utilisation de l'appareil, p. ex. lors du traitement de métaux, cette poussière peut se poser à l'intérieur de l'outil électrique. La double isolation de l'outil électrique peut

ainsi être endommagée. Soufflez alors régulièrement de l'extérieur de l'air comprimé sec exempt d'huile dans l'intérieur de l'outil électrique à travers les ouïes de ventilation ; utilisez toujours une protection oculaire. Pour une protection supplémentaire, placez un dispositif à courant différentiel résiduel (RCD) en amont.

⚠ ATTENTION N'essayez pas de nettoyer les orifices de ventilation à l'aide d'objets métalliques pointus ; utilisez des outils non-métalliques.

⚠ ATTENTION N'utilisez pas de détergents ou de solvants qui peuvent endommager les parties en matière plastique. Par exemple : l'essence, le tétrachlorure de carbone, solvants chlorés, l'ammoniaque et produits de nettoyage domestiques contenant de l'ammoniaque.

⚠ ATTENTION Si un câble d'alimentation de l'outil électrique est endommagé, il doit être remplacé par un câble d'alimentation spécialement préparé qui est disponible auprès du service après-vente de FEIN.

FMT250SL : Pour ranger l'outil électrique, retirer l'accessoire et visser la vis de serrage jusqu'à la butée.

Garantie.

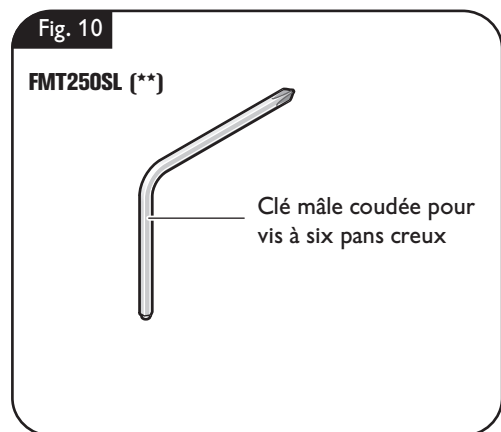
La garantie du produit est valide conformément à la réglementation légale en vigueur dans le pays où le produit est mis sur le marché. Outre les obligations de garantie légale, les appareils FEIN sont garantis conformément à notre déclaration de garantie de fabricant.

Il se peut que seule une partie des accessoires décrits ou représentés dans cette notice d'utilisation soit fournie avec l'outil électrique.

Protection de l'environnement, recyclage.

Rapportez les emballages, les outils électriques hors d'usage et les accessoires dans un centre de recyclage respectant les directives concernant la protection de l'environnement.

Accessoires fournis (figure 10).



Para su seguridad.

⚠ ADVERTENCIA Lea íntegramente estas advertencias de peligro e instrucciones.

En caso de no atenerse a las advertencias de seguridad siguientes, ello puede ocasionar una descarga eléctrica, un incendio y/o lesión grave.

Guardar todas las advertencias de peligro e instrucciones para futuras consultas.

⚠ No utilice esta herramienta eléctrica sin haber leído antes con detenimiento y haber entendido por completo estas instrucciones de uso, inclusive las ilustraciones, especificaciones, reglas de seguridad, así como las indicaciones identificadas con PELIGRO, ADVERTENCIA y PRECAUCIÓN.

Solamente use esta herramienta eléctrica para realizar los trabajos que FEIN ha previsto para la misma. Únicamente utilice las herramientas y accesorios autorizados por FEIN.

Observe también las respectivas prescripciones contra accidentes de trabajo vigentes en su país.

En caso de no atenerse a las instrucciones de seguridad mencionadas en la documentación previamente citada, ello puede provocar una electrocución, incendio y/o lesión grave.

Guarde estas instrucciones de uso para posteriores consultas y entréguelas al usuario en caso de prestar o vender la máquina.

GUARDAR ESTAS INSTRUCCIONES EN UN LUGAR SEGURO.

El término "herramienta eléctrica" empleado en las siguientes instrucciones de seguridad se refiere a herramientas eléctricas de conexión a la red (con línea) y a herramientas eléctricas accionadas por batería (o sea, sin línea).

Instrucciones generales de seguridad.

1) Seguridad en el puesto de trabajo

a) Mantenga limpio y bien iluminado su puesto de trabajo. El desorden y una iluminación deficiente en las áreas de trabajo pueden provocar accidentes.

b) No utilice la herramienta eléctrica en un entorno con peligro de explosión, en el que se encuentren combustibles líquidos, gases o material en polvo. Las

herramientas eléctricas producen chispas que pueden llegar a inflamar los materiales en polvo o vapores.

c) Mantenga alejados a los niños y otras personas de su puesto de trabajo al emplear la herramienta eléctrica. Una distracción le puede hacer perder el control sobre el aparato.

2) Seguridad eléctrica

a) La clavija del aparato debe corresponder al enchufe utilizado. No es admisible modificar la clavija en forma alguna. No emplear adaptadores en aparatos dotados con una toma de tierra. Las clavijas sin modificar adecuadas a los respectivos enchufes reducen el riesgo de una descarga eléctrica.

b) Evite que su cuerpo toque partes conectadas a tierra como tuberías, radiadores, cocinas y refrigeradores. El riesgo a quedar expuesto a una sacudida eléctrica es mayor si su cuerpo tiene contacto con tierra.

c) No exponga las herramientas eléctricas a la lluvia y evite que penetren líquidos en su interior. Existe el peligro de recibir una descarga eléctrica si penetran ciertos líquidos en la herramienta eléctrica.

d) No utilice la línea para transportar o colgar el aparato, ni tire de ella para sacar la clavija de la toma de corriente. Mantenga la línea alejada del calor, aceite, esquinas cortantes o piezas móviles. Las líneas dañadas o enredadas pueden provocar una descarga eléctrica.

e) Al trabajar con la herramienta eléctrica a la intemperie utilice solamente extensiones homologadas para su uso en exteriores. La utilización de una extensión adecuada para su uso en exteriores reduce el riesgo de una descarga eléctrica.

f) Si fuese imprescindible utilizar la herramienta eléctrica en un entorno húmedo, es necesario conectarla a través de un fusible diferencial. La aplicación de un fusible diferencial reduce el riesgo a exponerse a una descarga eléctrica.

3) Seguridad de personas

- a) **Esté atento a lo que hace y emplee la herramienta eléctrica con prudencia. No utilice la herramienta eléctrica si estuviese cansado, ni tampoco después de haber consumido alcohol, drogas o medicamentos.** El no estar atento durante el uso de una herramienta eléctrica puede provocarle serias lesiones.
- b) **Utilice un equipo de protección y en todo caso unas gafas de protección.** El riesgo a lesionarse se reduce considerablemente si, dependiendo del tipo y la aplicación de la herramienta eléctrica empleada, se utiliza un equipo de protección adecuado como una mascarilla cubrepolvo, zapatos de seguridad antideslizantes, cubierta, o protectores auditivos.
- c) **Evite una puesta en marcha fortuita del aparato. Asegúrese de que el aparato esté apagado antes de conectarlo al enchufe.** Si transporta el aparato sujetándolo por el switch, o si conecta la clavija al enchufe con el aparato encendido, ello puede dar lugar a un accidente.
- d) **Retire las herramientas de ajuste o llaves fijas antes de conectar la herramienta eléctrica.** Una herramienta o llave colocada en una pieza rotante puede producir lesiones al ponerse a funcionar.
- e) **Sea precavido. Trabaje sobre una base firme y mantenga el equilibrio en todo momento.** Ello le permitirá controlar mejor la herramienta eléctrica en caso de presentarse una situación inesperada.
- f) **Lleve puesta una ropa de trabajo adecuada. No utilice ropa amplia ni joyas. Mantenga su pelo, ropa y guantes alejados de las piezas móviles.** La ropa suelta, las joyas y el pelo largo se pueden enganchar con las piezas en movimiento.
- g) **Siempre que sea posible utilizar unos equipos de aspiración o captación de polvo, asegúrese de que éstos estén apropiadamente conectados y que sean utilizados correctamente.** El empleo de estos equipos reduce los riesgos derivados del polvo.

4) Trato y uso cuidadoso de herramientas eléctricas

- a) **No sobrecargue el aparato. Use la herramienta prevista para el trabajo a realizar.** Con la herramienta adecuada podrá trabajar mejor y más seguro dentro del margen de potencia indicado.
 - b) **No utilice herramientas con un switch defectuoso.** Las herramientas que no se puedan encender o apagar son peligrosas y deben hacerse reparar.
 - c) **Saque la clavija de la red antes de realizar un ajuste en el aparato, cambiar de accesorio o al guardar el aparato.** Esta medida preventiva reduce el riesgo a encender accidentalmente el aparato.
 - d) **Guarde las herramientas fuera del alcance de los niños y de las personas que no estén familiarizadas con su uso.** Las herramientas utilizadas por personas inexpertas son peligrosas.
 - e) **Cuide sus herramientas eléctricas con esmero. Controle si funcionan correctamente, sin atascarse, las partes móviles del aparato, y si existen partes rotas o deterioradas que pudieran afectar al funcionamiento de la herramienta. Si la herramienta eléctrica estuviese defectuosa haga repararla antes de volver a utilizarla.** Muchos de los accidentes se deben a aparatos con un mantenimiento deficiente.
 - f) **Mantenga los útiles de corte limpios y afilados.** Los útiles de corte mantenidos correctamente se dejan guiar y controlar mejor.
 - g) **Utilice herramientas eléctricas, accesorios, útiles, etc. de acuerdo a estas instrucciones y en la manera indicada específicamente para este aparato. Considere en ello las condiciones de trabajo y la tarea a realizar.** El uso de herramientas eléctricas para trabajos diferentes de aquellos para los que han sido concebidas puede resultar peligroso.
- ### 5) Servicio
- a) **Únicamente haga reparar su herramienta eléctrica por un profesional, empleando exclusivamente refacciones originales.** Solamente así se mantiene la seguridad de la herramienta eléctrica.

Instrucciones de seguridad especiales.

Sujete el aparato por las áreas de agarre aisladas al realizar trabajos en los que el útil pueda tocar conductores eléctricos ocultos o el propio cable del aparato. El contacto con conductores bajo tensión puede hacer que las partes metálicas del aparato le provoquen una descarga eléctrica.

Utilice unas mordazas u otros dispositivos adecuados para asegurar y soportar convenientemente la pieza sobre una base estable.

Si Ud. solamente sujeta la pieza de trabajo con la mano, o presionándola contra su cuerpo, ésta se encuentra en una posición inestable y puede hacerle perder el control.

No use accesorios que no hayan sido especialmente desarrollados u homologados por el fabricante de la herramienta eléctrica. El mero hecho de que sea montable un accesorio en su herramienta eléctrica no es garantía de que su funcionamiento sea seguro.

Agarre la herramienta eléctrica de forma que el útil nunca pueda tocar su cuerpo, especialmente si el útil empleado como, p. ej., una hoja de sierra o cuchilla, está orientado hacia el área de agarre. Podría lesionarse al tocar los filos o bordes cortantes.

Utilice un equipo de protección personal. Dependiendo del trabajo a realizar use una careta, una protección para los ojos, o unas gafas de protección. Si procede, emplee una mascarilla antipolvo, protectores auditivos, guantes de protección o un mandil especial adecuado para protegerle de los pequeños

fragmentos que pudieran salir proyectados al desprenderse del útil o pieza. Las gafas de protección deberán ser indicadas para protegerle de los fragmentos que pudieran salir despedidos al trabajar. La mascarilla antipolvo o respiratoria deberá ser apta para filtrar las partículas producidas al trabajar. La exposición prolongada al ruido puede provocar sordera.

No oriente la herramienta eléctrica contra Ud. mismo, contra otras personas, ni contra animales. Podría accidentarse con los útiles afilados o muy calientes.

Esta prohibido fijar rótulos o señales a la herramienta eléctrica con tornillos o remaches. Un aislamiento dañado no le protege de una electrocución. Emplee etiquetas autoadhesivas.

Limpie periódicamente las rejillas de refrigeración de la herramienta eléctrica empleando herramientas que no sean de metal. El ventilador del motor aspira polvo hacia el interior de la carcasa. En caso de acumularse polvo de metal en exceso, ello puede provocar al usuario una descarga eléctrica.

Antes de la puesta en marcha inspeccione si están dañados el cable de red y el enchufe.

Recomendación: Siempre opere la herramienta eléctrica a través de un interruptor diferencial (RCD) con una corriente de disparo máxima de 30 mA.

Tratamiento de materiales en polvo peligrosos.

⚠ ADVERTENCIA **Al trabajar con herramientas, p. ej., al lijar, pulir, serrar o realizar otros trabajos con arranque de material, los polvos que se producen pueden ser nocivos para la salud, autoinflamables o explosivos.**

El contacto o inspiración de ciertos materiales en polvo puede provocar en el usuario, o en las personas circundantes, reacciones alérgicas y/o enfermedades respiratorias, cáncer, daños congénitos u otros trastornos reproductivos.

A continuación, indicamos algunos de estos materiales junto con los productos químicos que contienen, cuyo polvo producido al trabajar, puede ser nocivo para la salud:

- Amianto y materiales que contengan amianto;
- Pinturas que contengan plomo, ciertos tipos de madera como, p. ej., haya, encino y roble;
- Minerales y metales;
- Partículas de sílice de ladrillo, concreto y demás materiales que contengan mineral;
- Los solventes que contienen ciertas pinturas;

- Arsénico, cromo y otros conservadores de la madera;
- Materiales para combatir parásitos en cascos de botes o barcos;
- Polvos de acero inoxidable, de metales y de metales no férricos.

Para que la exposición a estos materiales sea mínima:

- Utilice un equipo de aspiración apropiado para el polvo producido.
- Use equipos de protección personal como, por ejemplo, una mascarilla contra polvo con un filtro de la clase P2.
- Observe que esté bien ventilado el puesto de trabajo.

El riesgo derivado de la inspiración de polvo depende de la frecuencia con la que se procesen estos materiales. Los materiales que contengan amianto solamente deberán ser procesados por especialistas.

Vibraciones en la mano/brazo.

⚠ ADVERTENCIA Al trabajar con esta herramienta eléctrica se producen vibraciones en la mano y el brazo. Ello puede llegar a afectar su salud.

⚠ ADVERTENCIA Las vibraciones generadas durante la aplicación actual de la herramienta eléctrica puede ser diferente del valor indicado, según el modo en que sea utilizada la herramienta.

⚠ ADVERTENCIA Con el fin de proteger al usuario, es necesario fijar medidas de seguridad en base a una estimación de la exposición resultante bajo las condiciones de uso actuales.

El nivel de vibraciones indicado en estas instrucciones ha sido determinado según el procedimiento de medición fijado en la norma EN 60745 y puede servir como base de comparación con otras herramientas eléctricas. También es adecuado para estimar provisionalmente la emisión de vibraciones.

⚠ ATENCIÓN El polvo de madera y el de aleaciones ligeras puede autoinflamarse o provocar una explosión.

Si en el saco filtrante o en el filtro del aspirador, el polvo caliente producido al lijar se mezcla con restos de pintura, poliuretano, u otras materias químicas, puede que ésta se autoincendie bajo condiciones desfavorables como, p. ej., el salto de chispas al lijar metales, la exposición permanente y directa al sol, o una temperatura ambiente elevada. Para prevenir esta situación:

- Evite que se sobrecalienten la pieza de trabajo y la herramienta eléctrica.
- Vacíe el depósito de polvo con suficiente antelación.
- Observe las instrucciones de elaboración del fabricante del material.
- Considere las prescripciones vigentes en su país sobre los materiales a trabajar.

El nivel de vibraciones indicado ha sido determinado para las aplicaciones principales de la herramienta eléctrica. Por ello, el nivel de vibraciones puede ser diferente si la herramienta eléctrica se utiliza en otras aplicaciones, con útiles diferentes, o si el mantenimiento de la misma fuese deficiente. Ello puede suponer un aumento drástico de la emisión de vibraciones durante el tiempo total de trabajo.


Para determinar con exactitud la emisión de las vibraciones, es necesario considerar también aquellos tiempos en los que el aparato esté desconectado, o bien, esté en funcionamiento, pero sin ser utilizado realmente. Ello puede suponer una disminución drástica de la emisión de vibraciones durante el tiempo total de trabajo.

Fije unas medidas de seguridad adicionales para proteger al usuario de los efectos por vibraciones, como por ejemplo: Mantenimiento de la herramienta eléctrica y de los útiles, conservar calientes las manos, organización de las secuencias de trabajo.

Emisión de ruidos y vibraciones (indicación de dos cifras según ISO 4871)

Emisión de ruido	FMT250SL (**)	FMT250QSL (**)
Nivel de de presión sonora L_{pA} (re 20 μ Pa), medido con filtro A en el puesto de trabajo, en decibelios	74	74
Inseguridad K_{pA} en decibelios	3	3
Nivel de potencia acústica L_{WA} (re 1 pW), medido con filtro A, en decibelios	85	85
Inseguridad K_{WA} en decibelios	3	3
Valor pico del nivel de presión sonora L_{pCpeak} medido con filtro C en el puesto de trabajo, en decibelios	96	96
Inseguridad K_{pCpeak} en decibelios	3	3

OBSERVACIÓN: la suma de los valores emitidos medidos, considerando la inseguridad respectiva, representa el límite superior que puede alcanzarse en las mediciones.

 ¡Utilizar unos protectores acústicos!

Valores de medición determinados según normativa del producto pertinente.

Vibración	a
Clasificación de los útiles FEIN por clases de vibraciones	Aceleración ponderada*
<i>VC0</i>	< 2.5 m/s ² < 8 ft/s ²
<i>VC1</i>	< 5 m/s ² < 16 ft/s ²
<i>VC2</i>	< 7 m/s ² < 23 ft/s ²
<i>VC3</i>	< 10 m/s ² < 33 ft/s ²
<i>VC4</i>	< 15 m/s ² < 50 ft/s ²
<i>VC5</i>	> 15 m/s ² > 50 ft/s ²
<i>Ka</i>	1.5 m/s ² 4.92 ft/s ²

* Estos valores están basados en un ciclo de trabajo con el aparato funcionando en vacío y a plena carga el mismo tiempo.
La clase de vibraciones asignada al útil la puede tomar de la hoja adjunta 3 41 30 443 06 0.

Extensiones.

⚠ ADVERTENCIA En caso de utilizar una extensión, la longitud y la sección de la línea deberá ser la correcta para el trabajo a realizar para evitar una caída de tensión en la línea, una reducción de la potencia, y el sobrecalentamiento de la herramienta eléctrica. De lo contrario, se presentan peligros de origen eléctrico en la extensión y en la herramienta eléctrica, además de reducirse sus prestaciones.



Longitudes y secciones del cable recomendadas para las extensiones al trabajar con una tensión alterna monofásica de 120 V, teniendo conectado solamente un FMT250QSL (), FMT250SL (**):**

Longitud de la línea en pies			Longitud de la línea en m		
≤ 100	100 -200	200 -300	≤ 30	30 - 60	60 -100
Calibre A.W.G. del cable, mín.			Sección del cable en mm ² , mín.		
16	14	12	1.5	2.5	4

Utilización reglamentaria de la herramienta eléctrica:

máquina osciladora portátil para lijar pequeñas superficies, esquinas y bordes, para serrar chapas delgadas, piezas de madera y de plástico, para raspar, pulir, escofinar, cortar y dividir con útiles y accesorios homologados por FEIN sin la aportación de agua en lugares cubiertos.

Simbología.

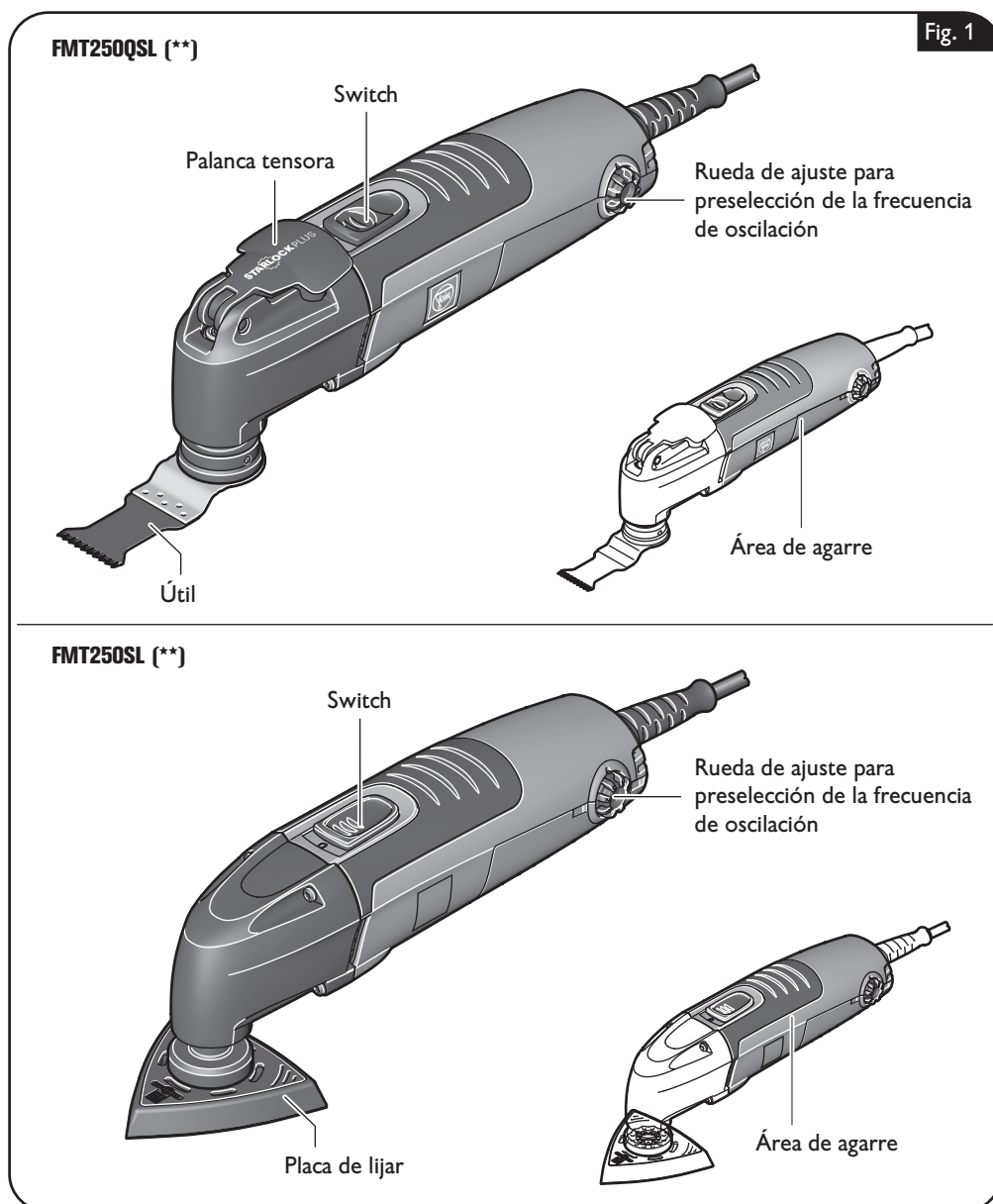
Símbolo	Definición
	¡Seguir las instrucciones indicadas al margen!
	Símbolo de prohibición general. Esta acción está prohibida.
	Es imprescindible leer los documentos que se adjuntan, como las instrucciones de servicio y las instrucciones generales de seguridad.
	No tocar la hoja de sierra. Peligro debido a útiles afilados de movimiento oscilante.
	Atención a los cantos agudos de los útiles como, p. ej., los filos de las cuchillas.
	Antes de realizar el paso de trabajo descrito, sacar el enchufe de la red. En caso contrario, podría accidentarse al ponerse en marcha fortuitamente la herramienta eléctrica.
	Al trabajar protegerse los ojos.
	Utilice un protector acústico al trabajar.
	Al trabajar protegerse del polvo.
	Al trabajar utilizar una protección para las manos.
	¡Seguir las instrucciones indicadas al margen!
	Este símbolo confirma que este producto ha sido certificado en USA y Canadá.
	Este símbolo advierte sobre una situación peligrosa inminente. Un comportamiento incorrecto puede dar lugar a una lesión grave o incluso mortal.
	Este símbolo advierte sobre una situación peligrosa que puede comportar lesiones graves o mortales.
	Este símbolo advierte sobre una situación peligrosa en la que pudiera lesionarse.
	Acumular por separado las herramientas eléctricas y demás productos electrotécnicos y eléctricos inservibles y someterlos a un reciclaje ecológico.
	Producto dotado con un aislamiento doble o reforzado
~ o a. c.	Corriente alterna
1 ~	Corriente alterna monofásica

Símbolo	Unidad nacional	Definición
n_0	rpm; /min; min^{-1} ; r/min	Oscilaciones nominales
P	W	Unidad de medida de la potencia
	°	Ángulo de oscilación
U	V	Unidad de medida de la tensión eléctrica
f	Hz	Unidad de medida de la frecuencia
I	A	Unidad de medida de la intensidad
m	lbs	Unidad de medida de la masa
l	ft, in	Unidad de medida para la longitud, ancho, altura, profundidad, diámetro o roscas
\varnothing	ft, in	Diámetro de una pieza redonda
$K...$		Incertidumbre
a	m/s^2	Valor de vibraciones emitidas según norma EN 60745 (suma vectorial de tres direcciones)
	m, s, kg, A, mm, V, W, Hz, N, °C, dB, min, m/s^2	Unidades básicas y unidades derivadas del sistema internacional de unidades SI .

Descripción técnica y especificaciones.

⚠ ADVERTENCIA Saque la clavija del enchufe antes de montar o cambiar los útiles y accesorios. Esta medida de seguridad preventiva evita los accidentes que pudieran presentarse en caso de una puesta en marcha involuntaria.

El material de serie suministrado con su herramienta eléctrica puede que no corresponda en su totalidad al material descrito o mostrado en estas instrucciones de servicio.



Tipo	FMT250SL (**)	FMT250QSL (**)
N° de referencia	7 229 ...	7 229 ...
Corriente absorbida	2.4 A	2.4 A
Oscilaciones nominales	11000 – 20000 rpm	11000 – 20000 rpm
Amplitud	2 x 1.6°	2 x 1.6°
Peso según EPTA-Procedure 01	2.64 lbs (1.2 kg)	2.64 lbs (1.2 kg)
Clase de protección	□/II	□/II

Instrucciones de montaje.

⚠ ADVERTENCIA Saque la clavija del enchufe antes de montar o cambiar los útiles y accesorios. Esta medida de seguridad preventiva evita los accidentes que pudieran presentarse en caso de una puesta en marcha involuntaria.

⚠ ATENCIÓN En todos los trabajos, y al cambiar los útiles, use siempre unos guantes de protección. Existe el peligro de lesionarse con los bordes afilados de los útiles.

¡Existe el riesgo a quemarse con los útiles, ya que éstos pueden ponerse muy calientes al trabajar!

Cambio de útil (FMT250SL (**)) (Figura 2).

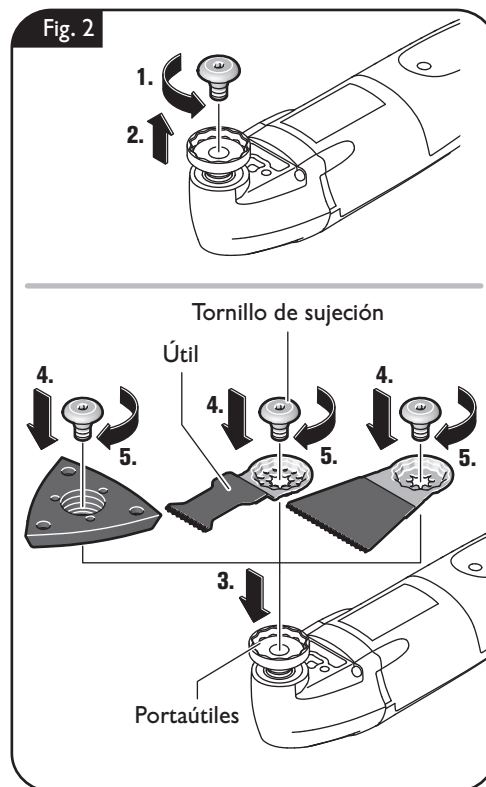
El útil puede girarse en pasos de 30° y sujetarse en la posición de trabajo más favorable.

Desenrosque el tornillo de sujeción.

Limpie el alojamiento del útil, el útil y el tornillo de sujeción.

Coloque el útil en la posición de trabajo deseada. Observe que el útil no quede inclinado al colocarlo en el alojamiento del útil.

⚠ Enrosque hasta el tope el tornillo de sujeción.



Cambio de útil (FMT250QSL (**)).

Antes de cada utilización afile siempre las cuchillas en un piedra de afilar, tanto si son usadas como si son nuevas.

Si además de reducirse la velocidad de avance Ud. debe empujar la máquina con una fuerza considerablemente mayor, ello es indicio de que están desgastadas las cuchillas.

⚠ ATENCIÓN No conecte la herramienta eléctrica estando abierta la palanca de sujeción. Podría lastimarse la mano o los dedos.

⚠ ATENCIÓN No mueva la palanca de sujeción con la máquina en marcha. En caso contrario podría lesionarse.

Montaje del útil (Figura 3).

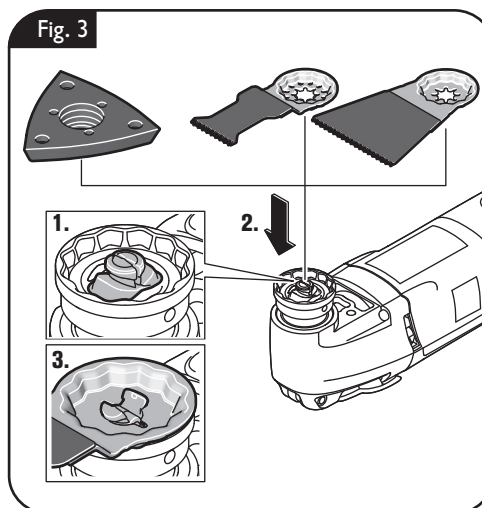
Limpe el portaútiles y el útil.

En la posición de partida están juntas (cerradas) las mordazas de fijación del portaútiles. En esta posición puede montarse fácilmente el útil presionándolo hacia dentro.

⚠ ATENCIÓN No toque las mordazas de fijación ni cerca de ellas. Podría lastimarse los dedos.

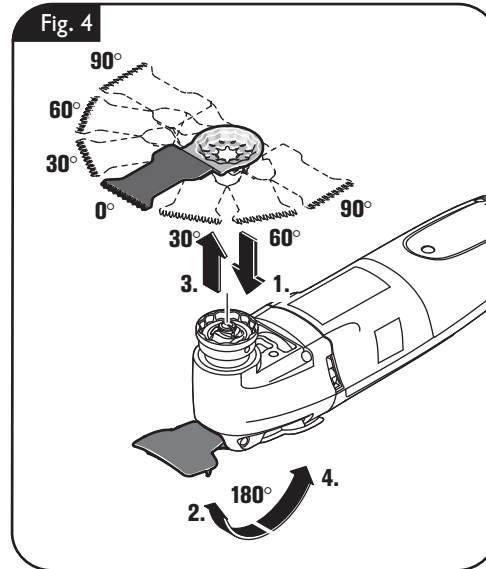
⚠ ATENCIÓN ¡No deje funcionar la herramienta eléctrica con las mordazas de fijación abiertas sin tener montado el útil! La herramienta eléctrica se podría dañar.

⚠ ATENCIÓN Si quiere montar el útil y ve que están abiertas las mordazas de fijación, empuje hacia adelante y jale después hacia atrás la palanca de fijación. Las mordazas de fijación están ahora cerradas. El útil puede montarse.



Posicionamiento del útil (Figura 4).

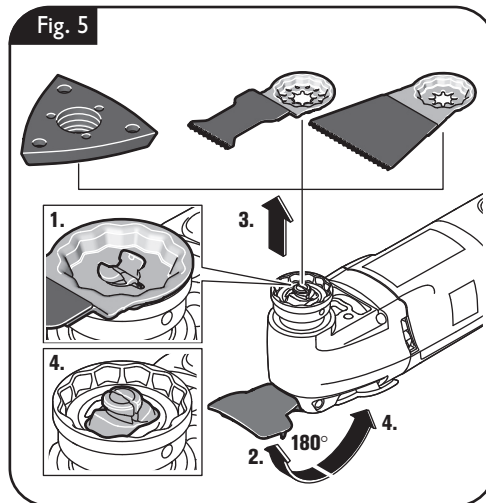
El útil puede girarse en pasos de 30° y sujetarse en la posición de trabajo más favorable.

**Desmontaje del útil (Figura 5).**

Para lograr la posición de partida de las mordazas de fijación y poder sacar el útil, empujar hasta el tope hacia delante y jalar después hacia atrás la palanca de fijación, para aflojar el útil.

Observe que el útil no quede inclinado al alojarlo en el portaútiles.

⚠ En todos los trabajos, y al cambiar los útiles, use siempre unos guantes de protección. Existe el peligro de lesionarse con los bordes afilados de los útiles. ¡Existe el riesgo a quemarse con los útiles, ya que éstos pueden ponerse muy calientes al trabajar!

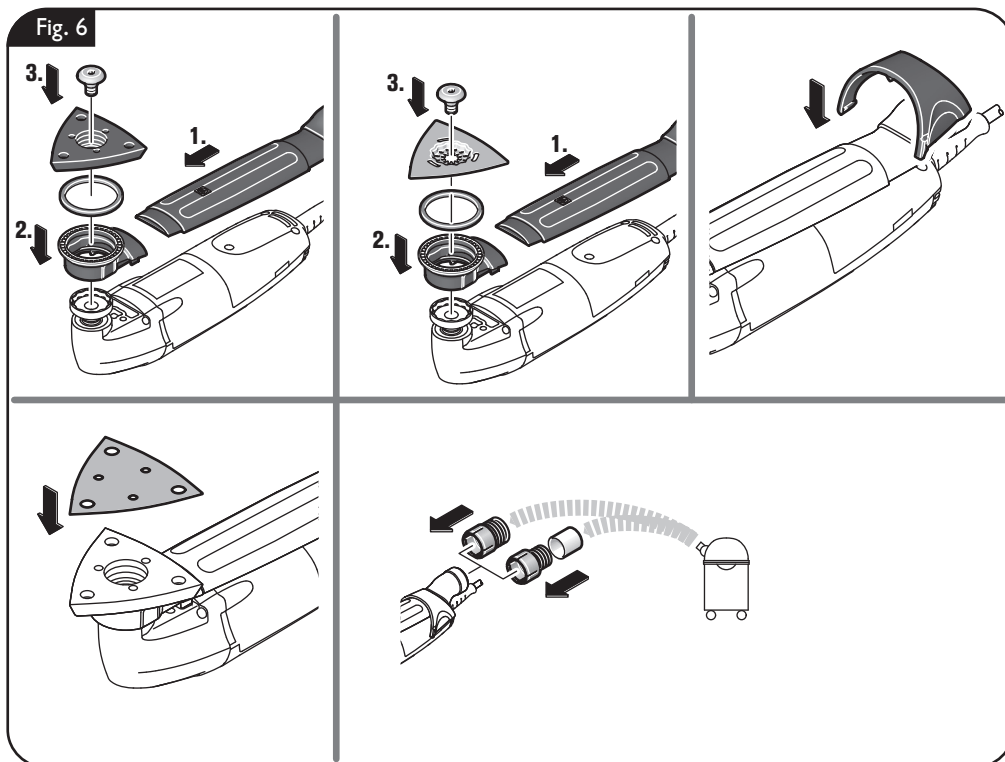


**Dispositivo de aspiración de polvo
(FMT250SL (**)) (Figura 6).**

Monte el dispositivo de aspiración de polvo.

A continuación, monte la hoja de lijar deseada.

Conecte un aspirador.

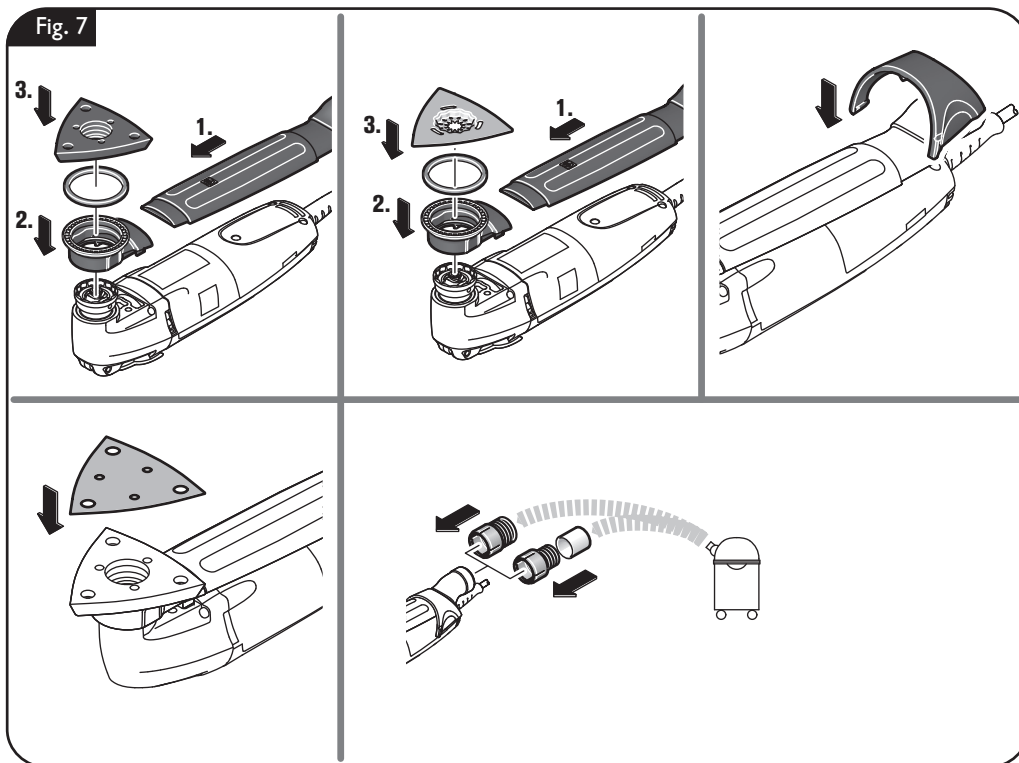


Dispositivo de aspiración de polvo (FMT250QSL (**)) (Figura 7).

Monte el dispositivo de aspiración de polvo.

A continuación, monte la hoja de lijar deseada.

Conecte un aspirador.



Instrucciones para la operación.

⚠ ADVERTENCIA Saque la clavija del enchufe antes de montar o cambiar los útiles y accesorios. Esta medida de seguridad preventiva evita los accidentes que pudieran presentarse en caso de una puesta en marcha involuntaria.

No aplique accesorios que no hayan sido especialmente previstos o recomendados por FEIN para esta herramienta eléctrica. La utilización de accesorios que no sean originales FEIN provocan un sobrecalentamiento y deterioro de la herramienta eléctrica.

⚠ ATENCIÓN Solamente use los útiles que FEIN haya previsto y autorizado para el trabajo que vaya a realizar.

Conexión y desconexión (Figura 8).

⚠ ATENCIÓN Siempre sujete firmemente la herramienta eléctrica. En caso contrario podría perder el control sobre la herramienta eléctrica.

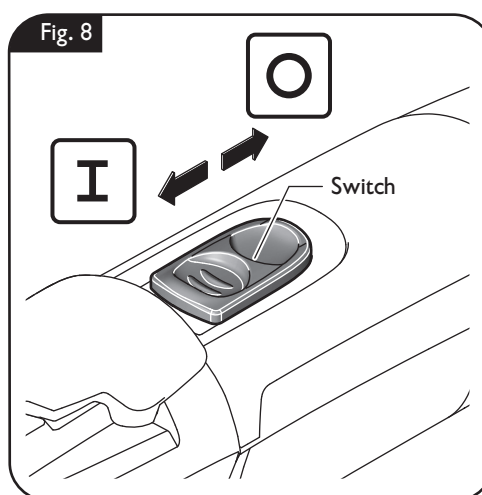
👉 Solamente aproxime la herramienta eléctrica conectada contra la pieza de trabajo.

Conexión:

Empuje el switch hacia delante (I).

Desconexión:

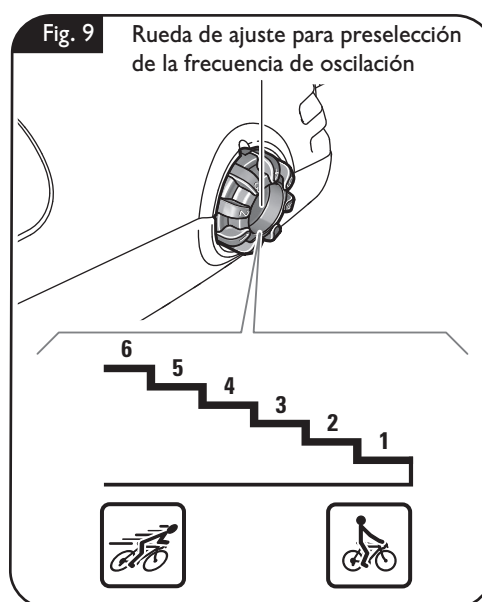
Empuje el switch hacia atrás (O).



Ajuste de la frecuencia de oscilación (Figura 9).

La frecuencia de oscilación se fija de forma continua con la rueda de ajuste.

Seleccione en la rueda de ajuste una posición entre "1" (revoluciones mínimas) y "6" (revoluciones máximas).



**Indicaciones para lijado.**

Presione con firmeza la hoja de lijar montada en la herramienta eléctrica contra una superficie plana y conecte brevemente la herramienta eléctrica. De esta manera se obtiene una buena adherencia y se evita un desgaste prematuro.

La hoja de lija puede desprenderse y montarse girada en 120° si sólo se ha desgastado una de sus puntas.

Trabaje apoyando completamente la placa de lijar y no sólo aplicando el borde o la punta.

Al lijar con placas de lijar triangulares pequeñas ajuste un velocidad elevada (etapa de velocidad entre 4 – 6), si utiliza el plato lijador o la placa de lijar triangular grande seleccione una velocidad mediana (ajuste como máx. la etapa 4).

Lije con continuo movimiento y ejerciendo leve presión. Una presión excesiva no aumenta el arranque de material sino el desgaste de la hoja de lija.

Indicaciones para serrado.

Ajuste unas oscilaciones altas. Las hojas de sierra circulares pueden aflojarse y volverse a sujetar en una nueva posición para hacer que se desgasten por igual.

Indicaciones para raspado.

Ajuste unas oscilaciones medianas a altas.



Reparación y servicio técnico.

⚠ ADVERTENCIA Saque la clavija del enchufe antes de montar o cambiar los útiles y accesorios. Esta medida de seguridad preventiva evita los accidentes que pudieran presentarse en caso de una puesta en marcha involuntaria.

Piezas sustituibles.

Si fuese preciso, puede sustituir Ud. mismo las piezas siguientes:

Tornillo de sujeción (FMT250SL (**)), útiles

Servicio técnico.

⚠ ADVERTENCIA Únicamente deje realizar los trabajos de mantenimiento por un profesional. Las líneas y componentes mal montados pueden suponer un grave peligro. Deje efectuar el servicio requerido por un servicio técnico FEIN.

La lista de piezas de refacción actual para esta herramienta eléctrica la encuentra en internet bajo www.fein.com.

Limpeza.

⚠ ADVERTENCIA Con el fin de evitar accidentes, saque de la alimentación la clavija de la herramienta eléctrica antes de realizar en la misma cualquier tipo de trabajo de limpieza o de mantenimiento.

⚠ ADVERTENCIA Si el aire ambiente contiene material en polvo conductor, p. ej., al trabajar metales, puede que este material llegue a depositarse en el interior de la herramienta eléctrica. Ello puede mermar la eficacia del aislamiento de protección de la

herramienta eléctrica. Por ello, se recomienda soplar con regularidad desde afuera, por las rejillas de refrigeración, el interior de la herramienta eléctrica con aire comprimido seco y exento de aceite, utilizando en ello siempre una protección para los ojos. Intercale un interruptor diferencial (FI) como medida de protección adicional.

⚠ ATENCIÓN No intente limpiar las rejillas de refrigeración de la herramienta eléctrica con objetos metálicos en punta, emplee para ello objetos que no sean de metal.

⚠ ATENCIÓN No aplique agentes de limpieza ni disolventes que pudieran atacar a las piezas de plástico. Algunos de estos agentes son: gasolina, tetracloruro de carbono, disolventes clorados, amoníaco y detergentes domésticos que contengan amoníaco.

⚠ ATENCIÓN En caso de que se dañe la línea de la herramienta eléctrica es necesario sustituirla por una línea de refacción original adquirible a través de uno de los servicios técnicos FEIN.

FMT250SL: Antes de guardar la herramienta eléctrica desmonte el útil y atornille hasta el tope el tornillo de sujeción.

Garantía.

La garantía del producto se realiza de acuerdo a las regulaciones legales vigentes en el país de adquisición. Adicionalmente, FEIN ofrece una garantía ampliada de acuerdo con la declaración de garantía del fabricante FEIN.

El material de serie suministrado con su herramienta eléctrica puede que no corresponda en su totalidad al material descrito o mostrado en estas instrucciones de servicio.

Protección del medio ambiente, eliminación.

Los embalajes, y las herramientas eléctricas y accesorios inservibles deberán entregarse a los puntos de recogida correspondientes para que puedan ser sometidos a un reciclaje ecológico.



Accesorios incluidos en el suministro (Figura 10).

Fig. 10

FMT250SL (**)

