

metabo®

Made in Germany



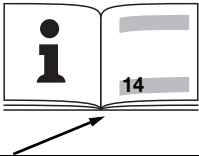
ASR 35 AutoClean








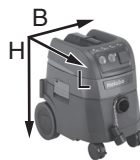
(ENG) Operating Instructions 5

(ES) Instrucciones de manejo 13





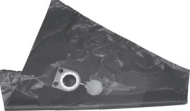











		ASR 35 AutoClean
L x B x H	cm	55 x 40 x 55
U	V	110-120
F	Hz	50/60
I	A	11
N	-	H05RR F 3x1,5
P ₁	W	1400
P _{U1} /P _{U2}	mbar (hPa)	220 / 248
V _{I/s1} /V _{I/s2}	l/s	42 / 61
D _{max1} /D _{max2}	m ³ /h	140 / 220
V	l	35
m	lbs (kg)	33.1 (15)














U		(V)	120
P _{1max} :		(W)	1400
P _{1max} :		(W)	475
Σ	 + 	(W)	1875
I _{max}		(A)	15



© 2011
 Metabowerke GmbH,
 Postfach 1229
 Metabo-Allee 1
 D-72622 Nürtingen
 Germany



17		(25 l) (5x)	6.31 935
18		(5x)	6.30 343
19		(5x)	6.30 325
20			6.31 933
21			(6.31 934)
22			(6.30 326)
23			344 098 98
24			6.30 311
25		(10x)	6.30 313
26		ø 35 mm 3,5 m	6.31 362
27		ø 35/35 mm	6.30 898
28		ø 35 mm 0,4 m	6.31 363
29		ø 35 mm	6.30 317
30		ø 35 mm 120 mm	6.30 320

31		ø 35 mm 450 mm	6.31 940
32		ø 35 mm 300 mm	6.30 322
33		ø 35 mm	6.30 244
34		ø 35 mm	6.30 245
35		ø 35 mm	6.30 323
36		ø 35 mm	
37		ø 35 mm 370 mm	6.30321
38		ø 35 mm 270 mm	6.30 328
39			6.31 944
40		ø 27 mm 3,5 m	6.31 938
41		3,5 m	6.31 939
42		ø 35/58 mm	6.30 316
43		ø 19 mm 5 m ø 35 mm ø 30 mm	6.31 592

Operating Instructions

Dear Customer,

Thank you for the trust you have placed in us by buying a Metabo tool. Each Metabo tool is carefully tested and subject to strict quality controls by Metabo's quality assurance. Nevertheless, the service life of a tool depends to a great extent on you. Please observe the information contained in these instructions and the enclosed documentation. The more carefully you treat your Metabo power tool, the longer it will provide dependable service.

Contents

- 1 Specified Use
- 2 General Safety Instructions
- 3 Special Safety Instructions
- 4 Overview
- 5 Initial Operation
- 6 The Appliance
- 7 Use
- 8 Cleaning
- 9 Servicing
- 10 Troubleshooting
- 11 Accessories
- 12 Repairs
- 13 Environmental Protection
- 14 Technical Specifications

1 Specified Use

The vacuum cleaner is suitable for the vacuuming of dust, solid materials (broken glass, nails etc.), liquids of any kind with the exception of highly inflammable, combustible liquids and material that is hotter than 60 °C.

This tool is not designed for use by persons (including children) with physical, sensory or mental disabilities, or with insufficient experience and/or knowledge, unless they are supervised by a person responsible for their safety, or have received instructions on how to use the tool by this person.

This product is designed for industrial use.


Inflammable dust must not be vacuumed.


No inflammable or explosive solvents, material saturated with solvent, dust that represents an explosion hazard, liquids such as petrol, oil, alcohol, thinner or material that is hotter than 60 °C are allowed to be vacuumed. This would cause an explosion and fire hazard! You are not allowed to use the appliance in the vicinity of inflammable gases or substances.


The user bears sole responsibility for any damage caused by improper use.

Generally accepted accident prevention regulations and the enclosed safety information must be observed.

2 General Safety Instructions

 Before using the appliance, the user must receive information, instructions and training material on using the appliance and the materials for which it is to be used (including details on safe disposal of the extracted material).

 For your own protection and for the protection of your vacuum cleaner pay attention to all parts of the text that are marked with this symbol!

 **WARNING** Read all safety warnings and all instructions. Failure to follow the warnings and instructions may result in electric shock, fire and/or serious injury. Save all warnings and instructions for future reference!

1) Work area safety

- a) Keep work area clean and well lit. Cluttered or dark areas invite accidents.
- b) Do not operate vacuum cleaners in explosive atmospheres, such as in the presence of flammable liquids, gases or dust. Vacuum cleaners create sparks which may ignite the dust or fumes.
- c) Keep children and bystanders away while operating a vacuum cleaner. Distractions can cause you to lose control.

2) Electrical safety

- a) Vacuum cleaners plugs must match the outlet. Never modify the plug in any way. Do not use any adapter plugs with earthed (grounded) vacuum cleaners. Unmodified plugs and matching outlets will reduce risk of electric shock.
- b) Avoid body contact with earthed or grounded surfaces, such as pipes, radiators, ranges and refrigerators. There is an increased risk of electric shock if your body is earthed or grounded.
- c) Protect the vacuum cleaner from rain or damp conditions. Do not immerse the cleaner or spray it with a jet of water. Improper use can lead to electrical shock.
- d) Do not abuse the cord. Never use the cord for carrying, pulling or unplugging the vacuum cleaner. Keep cord away from heat, oil, sharp

edges or moving parts. Damaged or entangled cords increase the risk of electric shock.

e) When operating a vacuum cleaner outdoors, use an extension cord suitable for outdoor use. Use of a cord suitable for outdoor use reduces the risk of electric shock.

f) If operating a vacuum cleaner in a damp location is unavoidable, use a residual current device (RCD) protected supply. Use of an RCD reduces the risk of electric shock.

3) Personal safety

a) Stay alert, watch what you are doing and use common sense when operating a vacuum cleaner. Do not use a vacuum cleaner while you are tired or under the influence of drugs, alcohol or medication. A moment of inattention while operating vacuum cleaner may result in serious personal injury.

b) Use personal protective equipment. Always wear eye protection. Protective equipment such as dust mask, non-skid safety shoes, hard hat, or hearing protection used for appropriate conditions will reduce personal injuries.

c) Avoid accidental operation. Check that the vacuum cleaner (or any connected power tool) is switched off before lifting it, carrying it or connecting it to the power supply. Accidents may occur if you connect the vacuum cleaner or an active power tool (when switched on) to the power supply.

d) Do not overreach. Keep proper footing and balance at all times. This enables better control of the vacuum cleaner in unexpected situations.

e) Wear appropriate clothing. Do not wear loose clothing or jewelry. Keep hair, clothing and gloves at a safe distance from moving parts. Loose clothing, jewelry or long hair could catch in the suction hose or suction nozzle.

4) Vacuum cleaner use and care

a) Do not use the vacuum cleaner if the switch does not turn it on and off. Any vacuum cleaner that cannot be controlled with the switch is dangerous and must be repaired.

c) Disconnect the plug from the power source before making any adjustments, changing accessories, or storing vacuum cleaners. Such preventive safety measures reduce the risk of starting the vacuum cleaner accidentally.

d) Store idle vacuum cleaners out of the reach of children and do not allow persons unfamiliar with the vacuum cleaner or these instructions to operate the vacuum cleaner. Vacuum cleaners are dangerous in the hands of untrained users.

e) Maintain vacuum cleaners. Check for misalignment or binding of moving parts, breakage of parts and any other condition that may affect the vacuum cleaner's operation. If damaged, have the

vacuum cleaner repaired before use. Many accidents are caused by poorly maintained vacuum cleaners.

e) Use the vacuum cleaner, accessories, etc. in accordance with these instructions. Take into consideration the working conditions and tasks required. Using vacuum cleaners for applications other than those intended can lead to dangerous situations.

5) Service

a) Have your vacuum cleaner serviced by a qualified repair person using only identical replacement parts. This will ensure that the safety of the vacuum cleaner is maintained.

3 Special Safety Instructions

Before using this power tool, completely read and understand the enclosed safety information and the instructions. Keep all enclosed documentation for future reference, and pass on your vacuum cleaner only together with this documentation.

IMPORTANT SAFETY INSTRUCTIONS

When using an electrical appliance, basic precautions should always be followed, including the following:

READ ALL INSTRUCTIONS BEFORE USING THIS VACUUM CLEANER

WARNING - To reduce the risk of fire, electric shock, or injury:

1. Do not leave appliance when plugged in. Unplug from outlet when not in use and before servicing.
2. To reduce the risk of fire, electric shock - Do not expose to rain. Store indoors.
3. Do not allow to be used as a toy. Close attention is necessary when used by or near children.
4. Use only as described in this manual. Use only manufacturer's recommended attachments.
5. Do not use with damaged cord or plug. If appliance is not working as it should, has been dropped, damaged, left outdoors, or dropped into water, return it to a service center.
6. Do not pull or carry by cord, use cord as a handle, close a door on cord, or pull cord around sharp edges or corners. Do not run appliance over cord. Keep cord away from heated surfaces.
7. Do not unplug by pulling on cord. To unplug, grasp the plug, not the cord.
8. Do not handle plug or appliance with wet hands.

9. Do not put any object into openings. Do not use with any opening blocked; keep free of dust, lint, hair, and anything that may reduce air flow.

10. Keep hair, loose clothing, fingers, and all parts of body away from openings and moving parts.

11. Turn off all controls before unplugging.

12. Use extra care when cleaning on stairs.

13. Do not use to pick up flammable or combustible liquids, such as gasoline, or use in areas where they may be present.

SAVE THESE INSTRUCTIONS

Additional Safety Instructions

Do not pick up anything that is burning or smoking, such as cigarettes, matches, or hot ashes.

Do not use without dust bag and/or filters in place.

Connect to a properly grounded outlet only. See Grounding Instructions.

When not in use, roll up the cable and hang it on the storage hook on the upper part of the appliance.

GROUNDING INSTRUCTIONS

This appliance must be grounded. If it should malfunction or breakdown, grounding provides a path of least resistance for electric current to reduce the risk of electric shock. This appliance is equipped with a cord having an equipment-grounding conductor and grounding plug. The plug must be inserted into an appropriate outlet that is properly installed and grounded in accordance with all local codes and ordinances.

WARNING - Improper connection of the equipment-grounding conductor can result in a risk of electric shock. Check with a qualified electrician or service person if you are in doubt as to whether the outlet is properly grounded. Do not modify the plug provided with the appliance - if it will not fit the outlet, have a proper outlet installed by a qualified electrician.

This appliance is for use on a nominal 120-volt circuit and has a grounding attachment plug. Make sure that the appliance is connected to an outlet having the same configuration as the plug. No adaptor should be used with this appliance.

Never allow children to use the machine.

Children should be supervised to ensure that they do not play with the tool.

Caution! Only use accessories that are included with the appliance or specified Operating Instructions. The use of other accessories may impair safety.

You must not perform any work other than that described here.


In the event of misuse, improper operation or unprofessional repair work no liability shall be assumed by us for any damage incurred.

When the appliance is not in use, leave the hose on the appliance to prevent dust accidentally escaping.

Do not operate appliances or accessories under the following conditions:

- If the appliance has recognisable damage (cracks/breaks),
- If the mains connection lead is defective or shows signs of cracking or ageing,
- If there is a suspected non-visible defect (after a fall).

Do not point the nozzle, hose or tube at people or animals.

 If any foam or water egresses, switch off immediately. Empty the container and, if need be, the pleated filter.

Never sit or stand on the appliance.

Always set up the connection lead and hose so there is no danger of tripping.

Do not pull the connection lead over any sharp edges and do not kink or pinch it.

If the connection lead of the appliance is damaged, it must be replaced by a special connection lead. See the chapter on Repairs.

Always connect to a socket with protective contact.

Do not use any damaged extension leads.

Never insert or remove the mains plug with wet hands.

Only pull on the mains plug, not on the lead.


The plug socket on the appliance may be used only for the purposes defined in the usage instructions.

Do not leave the appliance unattended. If there is a long work interruption, disconnect the mains plug.

The vacuum cleaner should not be used or stored outside in wet conditions.

IMPORTANT - This machine must only be stored indoors.

Acids, acetone and solvents can corrode the appliance components.

 Prior to any servicing work, clean the appliance. Switch off the appliance after each use and pull out the mains plug.

Steam cleaners and high-pressure cleaners must not be used to clean the vacuum cleaner.

The inside of the cover must always be kept dry.

Mold contamination can result if the appliance is not cleaned for an extended period, especially if used in areas where foodstuffs are processed:


Always clean and disinfect the vacuum cleaner immediately after use.


Never open the appliance outdoors during rain or storms.


The appliance must not be operated in areas with an explosion hazard.

Ensure that the vacuum cleaner is steady.

If the extracted air is discharged into the room, ensure there is an adequate air change rate (L) in the room. Observe the regulations that apply in your country.

 **Caution!** This appliance contains dust that is harmful to health. Discharge and maintenance operations (including disposal of the dust collection containers) must only be carried out by qualified specialists wearing appropriate protective clothing and equipment.

 **Warning - general danger!**

 **Caution!** Do not use the appliance until you have read the Operating Instructions.

WARNING - Operating staff must be provided with appropriate instruction on how to use this vacuum cleaner.

While the appliance is suitable for extracting substances that pose a slight threat to health, it is not appropriate for reducing wood dust in inhaled air.

Dust from material such as paint containing lead, some wood species, minerals and metal may be harmful. Contact with or inhalation of the dust may cause allergic reactions and/or respiratory diseases to the operator or bystanders.

Certain kinds of dust are classified as carcinogenic such as oak and beech dust especially in conjunction with additives for wood conditioning (chromate, wood preservative).

Observe the applicable regulations in your country for the filter cartridges. The filter cartridges (made of polyester) that are contained in the delivery comply with dust class M (filters trap 99.9 % of all dusts as of \varnothing 3 μ m). HEPA filter cartridges see chapter 11 Accessories.

The total maximum permissible current consumption (of dust extractor and connected unit) must not exceed the value I_{max} (see table, page 2). You can reduce the current consumption of the vacuum cleaner with the "Current Control" feature, and thus adapt it to the on-site conditions. See chapter 6.3. If the current consumption is too high, the vacuum cleaner or the wiring can overheat and cause a fire.

SYMBOLS ON THE TOOL:

- V volts
- A amperes
- Hz hertz
- W watts
- ~ alternating current


4 Overview

See page 3.

- 1 Current Control dial
- 2 Rotary switch On/Off/Automatic/AutoClean
- 3 Volume flow control display
- 4 Plug socket for power tool
- 5 PE filter bag *
- 6 Fleece filter bag *
- 7 Paper filter bag *
- 8 Upper part
- 9 Snap lock
- 10 Container
- 11 Cable holder (fold it back and use it to suspend the mains connection lead)
- 12 Suction opening
- 13 Locking bar (for opening the hood to change filter cassettes)
- 14 Locking knob
- 15 Motor protection filter
- 16 Filter cassette (according to IFA C)

* depending on equipment/not included in scope of delivery

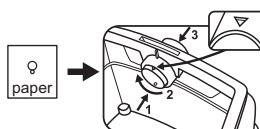
5 Initial Operation

 **Before plugging in, check that the rated mains voltage and mains frequency, as stated on the rating label, match with your power supply.**

5.1 Inserting a Paper Filter Bag or Fleece Filter Bag

Paper filter bags (7) are not suitable for wet vacuuming.

Switch off the appliance, remove the mains plug and open the snap locks (9). Remove the upper part of the appliance (8) from the container (10).



On the inside of the suction opening, push the red rotary slide with its "triangle" marking upwards.

(To twist the slide, push it slightly towards the suction hose, and pull it back after twisting).

Holding the new paper filter bag/fleece filter bag by the flange, slide the bottom part over the suction connection, and the top part over the latch pin. Replace the upper part of the appliance on the container, close the snap locks.

5.2 Inserting a PE Filter Bag

PE filter bags (5) are suitable for both wet and dry vacuuming.

Switch off the appliance, remove the mains plug and open the snap locks (9). Remove the upper part (8) from the container (10).



On the inside of the suction opening, push the red rotary slide with its "circle" marking upwards.

(To twist the slide, push it slightly towards the suction hose, and pull it back after twisting).

Hold the PE filter bag (5) on the flange and, with its opening, guide it first over the latch at the bottom part of the suction opening, then fit up to the stop on the suction opening.8

Spread out the PE filter bag (5) evenly across the container floor. Arrange the edges of the PE filter bag around the container rim so that the bag is firmly clamped on all sides by the upper part (5), once replaced.

6 The Appliance

6.1 Switching On/Off, Automatic, Auto-Clean

Select the required operating mode using the switch (2):

Position "0":

- OFF • Vacuum cleaner is switched off

Position "I":

- ON • Vacuum cleaner is switched on
- AutoClean* is switched off

Position "IR":

- ON + • Vacuum cleaner is switched on
- AutoClean* is switched on

Position "AR":

- Automatic On/Off switch: The vacuum cleaner is switched on or off by means of a power tool connected to the mains socket (4). (Note: The vacuum cleaner continues to run for approx. 10 seconds after the power tool is switched off. This is to ensure that dust does not remain in the hose.)
- AutoClean* is switched on

* **AutoClean** (Automatic Vibrate function): automatic filter cleaning when you switch on the appliance and when a specified vacuum value is reached. For filters that remain clear, with no need to interrupt work.

6.2 Power socket (4)

The power socket (4) is designed for connection to a power tool only.

The total maximum permissible current consumption (of dust extractor and connected unit) must not exceed the value I_{max} (see table, page 2). You can reduce the current consumption of the vacuum cleaner with the "Current Control" feature, and thus adapt it to the on-site conditions. See chapter 6.3. If the current consumption is too high, the vacuum cleaner or the wiring can overheat and cause a fire.

Caution! Ensure that the power tool is switched off when plugging it in. Regardless of the switch position, the plug socket is always live when the mains plug is plugged in.

If the switch is (2) in the "0" position, you can use the plug socket as an extension lead (e.g. for a light fitting).

If the switch (2) is in the "AR" position, the vacuum cleaner is switched on or off by means of a power tool connected to the mains socket (4).

6.3 Current Control Setting

You can use the "Current Control" feature to adjust the overall current consumption of the vacuum cleaner and the power tool connected to the socket (4) to match the building fuse.

To calculate the adjustment value:

1. Determine Amps rating of tool.
2. Determine Amps rating of circuit.
3. Subtract tool Amps from circuit Amps.
4. Set Current Control dial (1) to the result

Circuit Amps - Tool Amps = Current Control Setting

If you require full suction power, and want to connect a high-power tool to the socket (4) at the same time, you may have to connect the power tool to another electric circuit.

6.4 Volume flow control display

The volume flow control display lights up when the container is full and/or if the suction hose is blocked. (3).

7 Use

7.1 Dry Vacuuming

Vacuum using a dry filter, dry appliance and dry accessories only. If the cartridge is damp, dust may stick and form a crust.

Always use filter cassettes when using paper filter bags (7), fleece filter bags (6) or PE filter bags (5) (16).

7.2 Wet vacuuming



Never operate the machine without inserting a filter cassette first (16) The machine may be destroyed and water may also escape.

Vacuum without a paper filter (7) bag. You can use either fleece filter bags (6) or PE filter bags (5). The filter cartridges (16) are suitable for wet vacuuming.

Before carrying out any wet vacuuming, remove the dry vacuumed material. This process will prevent severe soiling and encrustation.

The integrated water sensor switches off the motor when the container is full. Empty the appliance. If the appliance is not switched off, the restart protection device remains effective. The appliance is not operable again until it has been switched off and switched back on again.

After switching off, some water may run back out of the hose.

Before emptying, first of all take the suction hose out of the liquid.

If you are then going to dry vacuum, insert a dry filter. If there is frequent switching between dry and wet vacuuming, we recommend the use of a second (replacement) filter. Allow the filter, container and accessories to dry: otherwise dust may adhere to damp components.

7.3 Transport

In the case of the ASR 35 L AutoClean, leave the hose on the appliance to prevent dust accidentally escaping.

Wrap the suction hose about the vacuum cleaner.

Place the accessories in a suitable plastic bag and seal the bag.

Suspend the mains connection lead on the cable holder (11).

The upper part (8) must be securely sealed to the container (10) - check that the snap locks (9) are closed.

8 Cleaning

8.1 General Cleaning Instructions

Clean the container and accessories with water. Wipe the upper part (8) with a damp cloth.

Caution! This appliance contains dust that is harmful to health. Discharge and maintenance operations (including disposal of the dust collection containers) must only be carried out by qualified specialists wearing appropriate protective clothing and equipment.

Emptying the Container

- Unplug.
- Open the snap locks (9). Remove the upper part (8) from the container (10).
- Tip out the container.

Dispose of the paper filter bag/fleece filter bag.

- Unplug.
- Pull on mask.
- Open the snap locks (9). Remove the upper part (8) from the container (10).
- Carefully pull back and remove the paper filter bag (7)/fleece filter bag (6) from the suction opening (12). Seal the flange of the paper filter bag/fleece filter bag by folding over the cover.
- Dispose of the vacuumed material in accordance with legal regulations.

Disposing of the PE Filter Bag

- Insert mains plug.
- Switch on the vacuum cleaner and vibrate the filters: turn the switch (2) to the "IR" position.
- Switch off the vacuum cleaner: turn the switch (2) to the "0" position.
- Pull on mask.
- Open the snap locks (9). Remove the upper part (8) from the container (10). Before setting down the upper part, turn switch (2) to the "I" position so that any falling dust is vacuumed.
- Carefully pull back the PE filter bag (5) from the suction opening (12). Seal the flange of the PE filter bag by folding over the cover.
- Dispose of the vacuumed material in accordance with legal regulations.

9 Servicing

9.1 General Instructions



Before performing any maintenance, always switch off the appliance and remove the mains plug.



Clean the appliance (see section 8).

For maintenance by the user, the vacuum cleaner must be taken apart, cleaned and maintained, to the extent possible, without endangering maintenance staff or other people.

Preventive Measures

Appropriate preventive measures include: cleaning the appliance before disassembly; providing local filtered forced ventilation where the vacuum cleaner is disassembled; cleaning of the maintenance area and providing suitable personal protective clothing and equipment.

9.2 Reduction in suction power

If the suction power decreases, carry out the following steps:

1. Clean the filter cassettes by activating the electromagnetic vibrator (set switch (2) to the "IR" position).
2. Empty the container or replace the paper filter bag (7)/fleece filter bag (6) or PE filter bag (5).
3. Replace the filter cartridges (16)

9.3 Renew the filter cartridges (16)

Shake the filter cassettes (16) once again before replacing the filters, by switching on the electromagnetic vibrator (set switch (2) to the "IR" position).

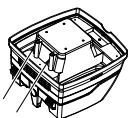
Use a coin or a similar object to turn the locking knob (14) on the locking bar (13) counter-clockwise through 90° and push the bar (13) to the rear. Swing up the hood and pull up the filter cartridges (16) to remove them. Seal the removed filter cassettes immediately in a dust-tight plastic bag and dispose of them in accordance with regulations. Insert new filter cartridges, ensuring they are correctly and securely in place.

9.4 Motor protection filter

Regularly check the motor protection filter. If the motor protection filter (15) is contaminated, this indicates that the filter cassettes (16) may be defective:

- Replace the filter cartridges (16)
- Replace the motor protection filter (15), or rinse it under running water, dry it and then replace.

9.5 Water sensor



Clean the water sensor regularly and check it for signs of damage.

9.6 Any other maintenance work

Any other maintenance work is to be carried out by the Metabo service centre.

10 Troubleshooting

If the volume flow control display (3) lights up, this indicates that the paper filter bag/fleece filter bag must be emptied.

Reduction in suction power:

See the instructions in the section on Cleaning.

- Filter cassettes (16) soiled? Clean the cassettes.
- Paper filter bag (7)/fleece filter bag (6) full? Replace the filter bag.
- PE filter bag (5) full? Replace the filter bag.
- Container (10) full? Empty the container.
- Motor protection filter (15) clogged? - See section 9.
- Nozzle, tubes or hose blocked? Clean.

Appliance will not start:

- Is the plug in the plug socket?
- No power from mains?
- Mains lead OK?
- Appliance hood correctly closed?
- Has the water sensor cut off? - Empty the container; then switch on and off again.
- Switch (2) in "AR" position? - Set to "I" or "IR". See section 6.1.
- The vacuum cleaner is not switched on or off by means of a power tool, even though switch (2) is set to the "AR" position. - Connect the power tool to the plug socket (4).

Dust in the container when paper filter bag/fleece filter bag is fitted:

- The position of the rotary slide is incorrect. See section 5.1.

PE filter bag is sucked against the filter cassettes (16) :

- The position of the rotary slide is incorrect. See section 5.2.

PE filter bag is sucked against the filter cassettes (16) :

- The position of the rotary slide is incorrect. See section 5.2.



Do not interfere with the appliance. Contact an authorized workshop or Metabo's after-sales service department (see section on 12 Repairs).

11 Accessories

Use only genuine Metabo accessories.

If you need any accessories, check with your dealer.

See page 4.

ASR 35 AutoClean:

- 17 Paper filter bags-M
5 bags = 1 set
- 18 Fleece filter bags-M
5 bags = 1 set
- 19 PE filter bags-M
5 bags = 1 set
- 20 Filter cartridge-M cellulose material
2 pieces = 1 set
- 21 Filter cartridge-M polyester material
2 cartridges = 1 set
- 22 Filter cartridge-HEPA
2 cartridges = 1 set
- 23 Motor protection filter (1 filter) You must order
2 items.
- 24 Handle
- 25 Cable clips (10 clips)
- 26 Suction hose
- 27 Connecting piece
- 28 Suction tubes (2 items)
- 29 Intermediate piece
- 30 Suction nozzle
- 31 Floor nozzle (metal fitting)
- 32 Universal nozzle
- 33 Universal brush
- 34 Upholstery brush
- 35 Crevice nozzle
- 36 Rubber nozzle
- 37 Floor nozzle set (with floor piece and wet
vacuuming piece)
- 38 Multi-purpose nozzle
- 39 Power tools suction set
- 40 Suction hose
- 41 Suction hose (antistatic)
- 42 Adapter
- 43 Suction hose
with connecting piece inner dia. 30 mm
and connecting piece outer dia. 35 mm

12 Repairs

Repairs to appliances must be carried out by qualified electricians only!

Use only original Metabo spare parts.

Contact your local Metabo representative if you have Metabo power tools requiring repairs. For addresses see www.metabo.com.

You can download a list of spare parts from www.metabo.com.

13 Environmental Protection

Metabo's packaging can be 100% recycled.

Worn-out devices and accessories contain large amounts of valuable raw materials and plastics, which can also be recycled.

These instructions are printed on chlorine-free bleached paper.

14 Technical Specifications

Explanatory notes on the specifications on page 2.
Changes due to technological progress reserved.

A	=	Outer dimensions
U	=	Mains voltage
F	=	Mains frequency
A	=	Current consumption
N	=	Mains connection lead
P ₁	=	Nominal power input
P _{U1}	=	Max. vacuum (at hose)
P _{U2}	=	Max. vacuum (at blower)
V _{1/s1}	=	Max. volume flow (at hose)
V _{1/s2}	=	Max. volume flow (at blower)
D _{max1}	=	Max. throughput (at hose)
D _{max2}	=	Max. throughput (at blower)
V	=	Max. container volume
m	=	Weight (without mains cable)

A-effective perceived sound levels:

L _{pA}	=	Sound pressure level
L _{WA}	=	Acoustic power level

During operation the noise level can exceed 80 dB(A).



Wear ear protectors!

The technical specifications quoted are subject to tolerances (in compliance with the relevant valid standards).

Instrucciones de manejo

Estimado cliente,

le agradecemos la confianza depositada en nosotros al comprar una herramienta Metabo. Cada herramienta Metabo ha sido probada cuidadosamente y ha superado los estrictos controles de calidad de Metabo. Sin embargo, la vida útil de una herramienta depende en gran medida de usted. Le rogamos que tenga en cuenta la información contenida en estas instrucciones y en los documentos adjuntos. Una mejor conservación de su herramienta de Metabo, repercute en un servicio eficaz durante más tiempo.

Contenido

- 1 Aplicación de acuerdo a la finalidad
- 2 Instrucciones generales de seguridad
- 3 Instrucciones especiales de seguridad
- 4 Descripción general
- 5 Puesta en marcha
- 6 La herramienta
- 7 Manejo
- 8 Limpieza
- 9 Mantenimiento
- 10 Localización de averías
- 11 Accesorios
- 12 Reparación
- 13 Protección ecológica
- 14 Especificaciones técnicas

1 Aplicación de acuerdo a la finalidad

La aspiradora es adecuada para aspirar polvo y cuerpos sólidos (pedazos de vidrio, clavos, etc.), así como líquidos de cualquier tipo salvo líquidos fácilmente inflamables y combustibles, y material con una temperatura superior a 60°C.

Esta herramienta no está pensada para ser utilizada por personas (incluidos los niños) con limitaciones físicas, sensoriales o mentales o que no tengan la experiencia y/o los conocimientos debidos, a menos que sean vigilados por una persona encargada de su seguridad o que hayan recibido de ésta instrucciones sobre la utilización de la herramienta.

Este producto ha sido desarrollado para el uso comercial.

No está permitido aspirar polvos inflamables.

No se debe aspirar ningún tipo de disolvente inflamable o explosivo, ni ningún objeto impregnado de disolvente, ni polvos susceptibles de explotar, ni líquidos como gasolina, aceite, alcohol, diluyentes u otras sustancias con una temperatura superior a 60°C. Si no se respeta esta medida de precaución, se corre el peligro de provocar una explosión o un incendio. El aparato no debe utili-

zarse en las proximidades de gases y sustancias inflamables.

Los posibles daños derivados de un uso inadecuado son responsabilidad exclusiva del usuario.

Deben observarse las normas sobre prevención de accidentes aceptados de forma general y la información sobre seguridad incluida.

2 Instrucciones generales de seguridad



Antes de usar el aparato, los usuarios deben obtener las informaciones, indicaciones y capacitaciones para el uso del aparato y de las sustancias para las que debe usarse, incluyendo el procedimiento seguro para la eliminación del material aspirado.



Para su propia protección y la de su herramienta eléctrica, observe las partes marcadas con este símbolo.



AVISO Lea íntegramente las indicaciones de seguridad y las instrucciones. La no observación de las instrucciones de seguridad siguientes puede dar lugar a descargas eléctricas, incendios y/o lesiones graves. Guarde estas instrucciones en un lugar seguro.

1) Puesto de trabajo

a) Mantenga limpio y bien iluminado su puesto de trabajo. El desorden y una iluminación deficiente en las áreas de trabajo pueden provocar accidentes.

b) No utilice la aspiradora en un entorno con peligro de explosión, en el que se encuentren combustibles líquidos, gaseosos o en polvo. Aspiradoras producen chispas que pueden inflamar los polvos o vapores.

c) Al emplear la aspiradora mantenga alejados a los niños y a otras personas. Una distracción le puede hacer perder el control sobre el aparato.

2) Seguridad eléctrica

a) El enchufe de la aspiradora debe corresponder a la toma de corriente. No es admisible modificar el enchufe en forma alguna. No emplee adaptadores con herramientas eléctricas dotadas de una toma de tierra. Los enchufes sin modificar

adecuados a las respectivas tomas de corriente reducen el riesgo de una descarga eléctrica.

b) Evite que su cuerpo toque partes conectadas a tierra como tuberías, radiadores, cocinas y refrigeradores. El riesgo a quedar expuesto a una sacudida eléctrica es mayor si su cuerpo tiene contacto con tierra.

c) No exponga la aspiradora a la lluvia y evite que penetren líquidos en su interior. No lo sumerja en agua ni lo lave con un chorro de agua. Una aplicación errónea puede implicar un golpe eléctrico.

d) No utilice el cable de red para transportar o colgar la aspiradora o para sacar el enchufe de la toma de corriente. Mantenga el cable de red alejado del calor, aceite, esquinas cortantes o piezas móviles. Los cables de red dañados o enredados pueden provocar una descarga eléctrica.

e) Si trabaja con la aspiradora a la intemperie utilice solamente cables de prolongación homologados para su uso en exteriores. La utilización de un cable de prolongación adecuado para su uso en exteriores reduce el riesgo de una descarga eléctrica.

f) Si no se puede evitar el uso de la aspiradora en un entorno húmedo utilice un interruptor de corriente de defecto. La utilización de un interruptor de corriente de defecto reduce el riesgo de una descarga eléctrica.

3) Seguridad de personas

a) Esté atento a lo que hace y emplee la aspiradora con prudencia. No utilice la aspiradora si está cansado ni tampoco después de haber consumido alcohol, drogas o medicamentos. El no estar atento durante el uso de la aspiradora puede provocar serias lesiones.

b) Utilice un equipo de protección y en todo caso una gafas de protección. El riesgo de lesionarse se reduce considerablemente si, dependiendo del tipo y la aplicación de la aspiradora, se utiliza un equipo de protección adecuado como una mascarilla antipolvo, zapatos de seguridad con suela antideslizante, casco, o protectores auditivos.

c) Evite una puesta en marcha fortuita del aparato. Asegúrese que la aspiradora o una herramienta eléctrica conectada esté desconectada antes de conectarla a la alimentación de corriente, antes de cargarla y depositarla en otro lugar. En caso de que conecte la aspiradora o alguna herramienta eléctrica conectada a la alimentación de tensión esto puede producir accidentes.

d) Evite una posición anormal del cuerpo. Trabaje sobre una base firme y mantenga el equilibrio en todo momento. De esa manera puede controlar mejor la aspiradora en situaciones inesperadas.

f) Lleve puesta una vestimenta de trabajo adecuada. No utilice vestimenta amplia ni joyas. Mantenga su pelo, vestimenta y guantes alejados

de las piezas móviles. Vestimenta suelta, joyas y pelo largo pueden ser absorbidas por la tubería o tobera de la aspiradora.

4) Trato y uso cuidadoso de la aspiradora

a) No utilice una aspiradora cuyo interruptor esté defectuoso. Una aspiradora que no se pueda conectar o desconectar es peligrosa y debe repararse.

b) Desenchufe la aspiradora antes de realizar algún ajuste, cambiar algún accesorio o guardar el aparato. Esta medida preventiva impide un arranque indeseado de la aspiradora.

c) Guarde las aspiradoras no usadas fuera del alcance de los niños. No permita que personas usen el aparato que no estén acostumbradas a usarlo o que no hayan leído estas indicaciones. Las aspiradoras usadas por personas inexpertas son peligrosas.

d) Cuide las aspiradoras con cuidado. Controle si funcionan correctamente, sin atascarse, las partes móviles de la aspiradora y si existen piezas rotas o deterioradas que pudieran afectar su funcionamiento. Si la herramienta eléctrica estuviese defectuosa, hágala reparar antes de volver a utilizarla. Muchos de los accidentes se deben a aspiradoras con un mantenimiento deficiente.

e) Utilice la aspiradora, los accesorios, etc. según estas indicaciones. Considere en ello las condiciones de trabajo y la tarea a realizar. El uso de aspiradoras para trabajos diferentes de aquellos para los que han sido concebidas puede resultar peligroso.

5) Servicio

a) Únicamente haga reparar su aspiradora por un profesional, empleando exclusivamente piezas de repuesto originales. Solamente así se mantiene la seguridad de la aspiradora.

3 Instrucciones especiales de seguridad

Antes de utilizar esta herramienta lea y entienda completamente las informaciones de seguridad e instrucciones de uso adjuntas. Guarde todas las indicaciones de seguridad e instrucciones de uso adjuntas para un uso futuro y entregue la aspiradora únicamente junto con esta documentación.

IMPORTANTE INSTRUCCIONES DE SEGURIDAD

Al usar el aparato eléctrico debe cumplirse con las precauciones básicas, incluyendo las siguientes:

LEA TODAS LAS INSTRUCCIONES ANTES DE USAR LA ASPIRADORA

ATENCIÓN - Para reducir el peligro de incendio, golpe eléctrico o lesiones cumpla con lo siguiente:

1. No abandone el aparato en estado conectado. Desconéctela de la red de tensión eléctrica en caso de no usarla o antes del mantenimiento.
2. A fin de reducir el peligro de incendio o golpe eléctrico no lo exponga a la lluvia. Guárdela en el interior.
3. No permita que se lo utilice como un juguete. Es importante trabajar con mayor precaución si hay niños cerca.
4. Use la aspiradora únicamente para trabajos descritos en este manual. Utilice accesorios originales del productor.
5. No utilice el aparato si el cable o el enchufe estén averiados. Si el aparato no funciona como debería, si se ha caído, dañado, dejado fuera o si se lo sumergió en agua envíelo al centro de servicio.
6. No tire del cable ni cargue el aparato con el cable, no lo utilice como asa, no cierre una puerta sobre el cable ni tense el cable en esquinas afiladas. No aplique los accesorios sobre le cable. Mantenga el cable alejado de superficies calientes.
7. No desconecte el aparato tirando del cable. Para desconectarlo, utilice el enchufe, no el cable.
8. No toque el enchufe o los accesorios con las manos mojadas.
9. No coloque ningún objeto en aberturas. No lo utilice con alguna abertura bloqueada, manténgalo libre de suciedad, pelusas, pelo o alguna otra cosa que podría reducir el flujo de aire.
10. Mantenga pelo, ropa suelta, dedos y otras partes del cuerpo alejados de aberturas y de piezas móviles.
11. Desconecte todos los controles antes de desconectar el aparato.
12. Tenga mucho cuidado al limpiar escaleras.
13. No lo utilice para absorber líquidos combustibles o inflamables como, por ejemplo, gasolina, ni lo utilice en áreas donde éstos puedan constar.

GUARDE ESTAS INSTRUCCIONES

Instrucciones de seguridad adicionales

No absorba nada que esté quemando o produciendo humo como p. ej. cigarrillos, fósforos o cenizas calientes.

No lo utilice sin filtro colocado.

Conéctelo únicamente en una conexión correctamente puesta en tierra. Véase las instrucciones de puesta en tierra.

En caso de no utilizar el aparato enrolle el cable y cuélguelo en el gancho en la parte superior.

INSTRUCCIONES DE PUESTA EN TIERRA

Este aparato debe estar conectado con la puesta en tierra. En caso de estar dañado o si hay algún mal funcionamiento la puesta en tierra provee una conexión de menor resistencia para la tensión residual para reducir el riesgo de un golpe eléctrico. El aparato está equipado con una cuerda con un conductor de puesta en tierra del equipo y un enchufe de puesta en tierra. El enchufe debe ser conectado en una conexión apropiada que ha sido instalada correctamente y puesta en tierra conforme a las normas locales.

ATENCIÓN - una conexión incorrecta del sistema de puesta en tierra puede implicar un golpe eléctrico. En caso de no estar seguro si su conexión está correctamente puesta en tierra compruébelo con un electricista especializado o con una persona de servicio. No modifique el enchufe entregado con el aparato - en caso de no coincidir con la conexión un electricista especializado debe instalar una conexión correcta.

El aparato ha sido desarrollado para utilizarlo con una tensión nominal de 120 voltios y tiene un enchufe para puesta en tierra. Asegúrese de que el aparato esté enchufado en una conexión que tenga la misma configuración del enchufe. No está permitido utilizar algún adaptador en este aparato.

Bajo ningún concepto está permitido que los niños utilicen la herramienta.

Vigile a los niños para asegurarse de que no juegan con la herramienta.

¡Atención! Utilice únicamente los accesorios adjuntos al aparato o sino los que han sido fijados en el manual de uso. El uso de accesorios adicionales puede afectar la seguridad del aparato.

No deben realizarse otras operaciones distintas a las que se describen aquí.


No se asumirá responsabilidad alguna por los posibles daños causados por una utilización distinta al propio fin del aparato, un mal uso o una reparación técnicamente incorrecta.

En caso de no usar el aparato, deje la manguera en el aparato para evitar que accidentalmente salga polvo.

No deben ponerse en marcha los aparatos, accesorios incluidos, si:

- el aparato presenta daños (grietas, roturas),
- el cable de alimentación está en mal estado, se observa que está empezando a agrietarse o que está demasiado viejo,
- Se sospecha que se ha producido algún daño invisible (después de una caída).

No dirija la tobera, la manguera o el tubo hacia personas o animales.

 Apague inmediatamente si sale espuma o agua. Vacíe el depósito y, dado el caso, el filtro plegable.

Jamás se pare o siente sobre el aparato.

Coloque el cable de conexión y la manguera siempre de tal manera que no conste peligro de caerse.

No tire del cable de alimentación, ni doblarlo ni sujetarlo sobre bordes afilados.

Si observa daños en el cable de conexión del aparato deberá sustituirlo por uno de características específicas. Consulte el capítulo Reparación.

Conecte sólo a una toma de corriente con contacto de puesta a tierra.

No utilice alargaderas defectuosas.

Jamás conecte o desconecte el aparato con manos mojadas.

No desconecte el aparato tirando del cable.


La toma de corriente del aparato sólo debe emplearse para el uso previsto en el manual de instrucciones.

Controle siempre el aparato. Si se interrumpe el trabajo durante un periodo prolongado de tiempo, desenchufe el equipo.

La aspiradora no se debe utilizar ni guardar al aire libre en condiciones de humedad.

ATENCIÓN - Guarde esta máquina únicamente en espacios interiores cerrados.

Los ácidos, la acetona y los disolventes pueden corroer las piezas del aparato.

 Antes de efectuar cualquier operación de mantenimiento y de limpieza del aparato, y después del uso, desconectar y desenchufar el equipo.

No utilice limpiadoras de chorro de vapor así como limpiadoras a presión para limpiar la aspiradora.

Mantenga siempre seco el interior de la tapa.

La contaminación por una limpieza no realizada por mucho tiempo, especialmente en empresas de elaboración de alimentos: siempre limpiar y desinfectar el aparato después de usarlo.

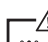
Jamás abra el aparato al aire libre durante la lluvia o durante una tormenta eléctrica.

El aparato no debe ser usado en espacios potencialmente explosivos.

Observe que la aspiradora tenga una posición fija.

En el área de aspiración debe haber suficiente intercambio de aire L en caso de que el aire de escape regrese al lugar en el que se aspire.

Observe las normas nacionales.

 ¡Atención! Este aparato contiene polvo nocivo. Procesos de vaciado y de mantenimiento, incluyendo la eliminación de los

depósitos de polvo, deben ser realizados únicamente por personal especializado que porta equipamiento protector respectivo.



Aviso ante un peligro en general



¡Atención! No utilice el aparato sin haber leído antes las instrucciones de manejo.

ADVERTENCIA - Personal operativo debe haber sido capacitado correctamente en cuanto al uso de la aspiradora.

El aparato es adecuado para aspirar materiales ligeramente nocivos. El aparato no es adecuado para reducir polvo de madera en el aire.

El polvo procedente de algunos materiales, como la pintura con plomo o algunos tipos de madera, minerales y metales, puede ser perjudicial para la salud. El contacto o la inhalación del polvo puede causar reacciones alérgicas y/o enfermedades respiratorias al usuario o a las personas próximas a él.

Algunas maderas, como la de roble o haya, producen un polvo que podría ser cancerígeno, especialmente en combinación con aditivos para el tratamiento de maderas (cromato, conservantes para madera).

Observe las prescripciones locales válidas para los filtros a utilizar. Los filtros adjuntos en el volumen de suministro de poliéster corresponden a la clase de polvo M (99,9 % de todas las partículas a partir de $\varnothing 3 \mu\text{m}$ son retenidas por el filtro). Filtros HEPA véase capítulo 11 Accesorios.

El consumo máximo permitido (del extractor de polvo y la unidad conectada) no debe exceder el valor $I_{\text{máx}}$ (véase lista, página 2). El consumo de corriente de la aspiradora puede ser reducida mediante el accesorio „Current Control“ para adaptarlo así a las condiciones locales. Véase capítulo 6.3. En caso de un consumo excesivo de corriente la aspiradora o las líneas eléctricas pueden sobrecalentarse y ocasionar un incendio.

SYMBOLS ON THE TOOL:

- V voltios
- A amperios
- Hz hertzios
- W vatios
- ~ corriente alterna

4 Descripción general

Véase la página 3.

- 1 Control de corriente

- 2 Interruptor giratorio para Encendido/ Apagado/Automático/AutoClean
- 3 Indicador de control del flujo volumétrico
- 4 Toma de corriente para herramientas eléctricas
- 5 Bolsa de filtro de PE *
- 6 Bolsa de filtro de fieltro *
- 7 Bolsa de filtro de papel
- 8 Parte superior
- 9 Cierre a presión
- 10 Depósito
- 11 Portacables (abatir hacia atrás y colgar de éste el cable de conexión eléctrica)
- 12 Abertura de aspiración
- 13 Cerrojo (para abrir la cubierta para el cambio de estuche de filtro)
- 14 Botón de cierre
- 15 Filtro de protección del motor
- 16 Estuche de filtro (según IFA C)

* según la versión/no incluido en el volumen de suministro

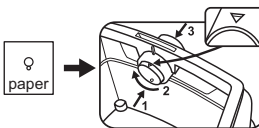
5 Puesta en marcha

⚠ Antes de enchufar compruebe que la tensión y la frecuencia de la red, indicadas en la placa de identificación, corresponden a las de la fuente de energía.

5.1 Colocar bolsas de filtro de papel o de fieltro

Bolsas de filtro de papel (7) no son adecuados para aspirar en húmedo.

Apague el aparato, desenchúfelo, abra cierres a presión (9). Retire la parte superior (8) del depósito (10).



Coloque la correa giratoria roja en el interior de la abertura de aspiración con su marcación "Triángulo" hacia arriba. (Para girar pulse ligeramente en dirección de la tubería de aspiración y tire nuevamente después de girar).

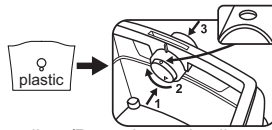
Coloque la correa giratoria roja en el interior de la abertura de aspiración con su marcación "Triángulo" hacia arriba. (Para girar pulse ligeramente en dirección de la tubería de aspiración y tire nuevamente después de girar).

Agarre la nueva bolsa de filtro de papel / bolsa de filtro de fieltro por la brida y pásela en primer lugar por el saliente de descanso de la parte inferior de la abertura de aspiración hasta que la abertura de la bolsa coincida con aquélla, alcanzando el tope. Coloque la parte superior sobre el depósito y cierre los cierres a presión.

5.2 Colocar bolsa de filtro de PE

Bolsas de filtro de PE (5) son adecuadas para la aspiración en seco y en húmedo.

Apague el aparato, desenchúfelo, abra los cierres a presión (9). Retire la parte superior (8) del depósito (10).



Coloque la correa roja en el interior de la apertura de aspiración con su marcación "Círculo" hacia

arriba. (Para girar pulse ligeramente en dirección de la tubería de aspiración y tire nuevamente después de girar).

Agarre la bolsa de filtro de PE (5) por la brida y pásela en primer lugar por el saliente de descanso de la parte inferior de la abertura de aspiración (8) hasta que la abertura de la bolsa coincida con aquélla, alcanzando el tope.

Coloque la bolsa de filtro de PE (5) uniformemente sobre el suelo del depósito. Coloque los bordes de la bolsa de filtro PE de tal manera sobre el borde del recipiente que la bolsa de filtro PE sea fijada en su entorno completo por la parte superior (5).

6 El aparato

6.1 Conectar / desconectar, Sistema automático, AutoClean

Seleccione el modo de funcionamiento deseado en el interruptor (2):


Posición "0":

- OFF • Aspiradora está desconectada


Posición "I":

- ON • Aspiradora está conectada
- ON • Función AutoClean* está desconectada

Posición "IR":

- IR • Aspiradora está conectada
- ON +  • Función AutoClean* está conectada

Posición "AR":


- AR +  • Conexión/desconexión automática: la aspiradora se conecta a una herramienta eléctrica enchufada a la toma de corriente (4) o se desconecta de ella. (Aviso: Después de desconectar la herramienta eléctrica la aspiradora sigue funcionando durante aprox. 10


segundos. De esa manera se evita que polvo permanezca en la manguera.)


- AutoClean* está desconectado

* **AutoClean** (Función automática de vibración): limpieza automática de filtros al conectar el aparato y al alcanzar un cierto valor de presión negativa. Garantiza filtros siempre libres sin interrupción del proceso de trabajo.

6.2 Enchufe (4)

 El enchufe (4) sólo ha sido desarrollado para la conexión de una herramienta eléctrica.

 La absorción de corriente máxima (del aspirador y la herramienta conectada) no debe superar en total el valor $I_{\text{máx}}$ (véase la lista, página 2). El consumo de corriente de la aspiradora puede ser reducida mediante el accesorio „Current Control“ para adaptarlo así a las condiciones locales. Véase capítulo 6.3. En caso de un consumo excesivo de corriente la aspiradora o las líneas eléctricas pueden sobrecalentarse y ocasionar un incendio.

 ¡Atención! La herramienta eléctrica debe estar apagada antes de conectarla. Con el enchufe conectado, la toma de corriente se encuentra siempre bajo tensión independientemente de la posición del interruptor.

(2) En la posición "0" del interruptor, la toma de corriente puede utilizarse como alargadera (p. ej. para iluminación).

(2) En la posición "AR" una herramienta conectada al enchufe conecta o desconecta la aspiradora (4).

6.3 Ajuste de Current Control

Debido al accesorio „Current Control“ se puede adaptar el consumo general de corriente de la aspiradora y de una herramienta eléctrica conectada al enchufe (4) a los fusibles del edificio.

Calcular valor de configuración:

1. Determine el grado del amperio de la herramienta
2. Determine el grado del amperio del circuito
3. Reste la herramienta amperios del circuito amperios
4. Ajuste el control de corriente en el resultado

Circuito Amperios – Herramienta Amperios = Configuración Actual del Control

Si necesita la capacidad completa de aspiración y al mismo tiempo quiere conectar una herramienta eléctrica potente a la conexión eléctrica (4) podría ser necesario conectar la herramienta en otro circuito eléctrico.

6.4 Indicador de control del flujo volumétrico

En caso de que el depósito esté lleno o haya un atascamiento en la manguera de aspirado relucirá la visualización de control del flujo volumétrico (3).


7 Manejo

7.1 Aspirado en seco

Aspire solamente con el filtro, el aparato y los accesorios secos. Si lo monta cuando aún está húmedo, el polvo podría quedar pegado e incrustarse.

Use bolsa de filtro de papel (7), de fieltro (6) o de PE (5) siempre junto con el estuche de filtro (16).

7.2 Aspirar en húmedo

 Nunca se debe utilizar la herramienta sin colocar un estuche de filtro (16). La herramienta puede sufrir daños. Asimismo, se puede escapar agua.

Aspirar sin bolsa de filtro de papel (7). Es posible usar bolsas de filtro de fieltro (6) o de PE (5). Los estuches de filtro (16) son adecuados para la aspiración en húmedo.

Retire la materia seca antes de proceder a aspirar en húmedo. De esta manera, evitará que el aparato se ensucie mucho y que se formen costras.

El sensor de agua incorporado desconecta el motor cuando el depósito está lleno. Vacíe el aparato. Si el aparato no se apaga, actúa el dispositivo que impide el re arranque. El aparato sólo podrá volverse a poner en marcha después de apagarlo y encenderlo de nuevo.

Tras apagar el aparato, puede salir un poco de agua por la manguera.

Antes del vaciado, primero debe retirarse del líquido la manguera de aspiración.

Si a continuación se va a realizar un aspirado en seco, debe colocarse un filtro seco. En caso de que se efectúen con frecuencia aspirados en seco y en húmedo seguidos, recomendamos que se utilice un segundo filtro (de recambio). Deje secar el filtro, el depósito y los accesorios para que el polvo no se quede pegado a las piezas húmedas.

7.3 Transporte

En el caso del modelo ASR 35 L AutoClean, deje la manguera en el aparato para evitar que salga polvo sin control.

Coloque la manguera de aspiración alrededor de la aspiradora.

Coloque los accesorios en una bolsa de plástico adecuada y ciérrela.

Cuelgue el cable de conexión en el portacables (11).

La parte superior (8) debe estar fijamente unida al depósito (10), compruebe que los cierres a presión (9) estén cerrados.

8 Limpieza

8.1 Indicaciones generales de limpieza

Lave con agua el depósito y los accesorios. Limpie la parte superior (8) con un paño húmedo.

¡Atención! Este aparato contiene polvo nocivo. Procesos de vaciado y de mantenimiento, incluyendo la eliminación de los depósitos es de polvo, deben ser realizados únicamente por personal especializado que porta equipamiento protector respectivo.

Vaciado del depósito

- Desenchufe el cable de alimentación.
- Abra los cierres a presión (9). Retire la parte superior (8) del depósito (10).
- Vacíe el depósito.

Eliminar bolsa de filtro de papel / de fieltro

- Desenchufe el cable de alimentación.
- Use una mascarilla protectora.
- Abra los cierres a presión (9). Retire la parte superior (8) del depósito (10).
- Retire la bolsa de filtro de papel (7) / de fieltro (6) cuidadosamente de la apertura de aspiración (12) hacia atrás. Cierre la brida de la bolsa de filtro de papel / de fieltro abatiendo la tapa.
- Elimine el material aspirado conforme a lo asignado por la ley.

Eliminar bolsas de filtro de PE

- Introduzca el enchufe.
- Conecte la aspiradora y haga vibrar el filtro: conmutar el interruptor (2) en posición "IR".
- Desconecte la aspiradora: conmute el interruptor (2) en posición "0".
- Use mascarilla protectora.
- Abra los cierres a presión (9). Retire la parte superior (8) del depósito (10). Antes de deponer la parte superior, conmute el interruptor (2) en la posición "I" para aspirar polvo que pueda caer de éste.
- Retire la bolsa de filtro de PE (5) cuidadosamente de la apertura de aspiración (12) hacia atrás. Cierre la brida de la bolsa de filtro de PE abatiendo la tapa.
- Elimine el material aspirado conforme a lo asignado por la ley.

9 Mantenimiento

9.1 Indicaciones generales



Antes de cada mantenimiento, desconecte el aparato y desenchúfelo.



Limpie el aparato (ver capítulo 8).

En caso de que el operador quiera realizar el mantenimiento, es necesario desmontar la aspiradora, limpiarla y mantenerla hasta donde se lo pueda realizar, sin provocar un peligro para el personal de mantenimiento y de otras personas.

Medidas de precaución

Medidas adecuadas de precaución implican la limpieza antes del desmontaje, la previsión para la aireación filtrada local a la que se montará la aspiradora, la limpieza de la zona de mantenimiento y el equipo personal de seguridad.

9.2 Disminución de la potencia de aspirado

En caso de que disminuya la potencia de aspiración, tome las siguientes medidas:

1. Limpie los estuches de filtro, conectando la vibración electromagnética (conmutar interruptor (2) en posición "IR").
2. Vacíe el depósito o recambie la bolsa de filtro de papel (7) / de fieltro (6) o de PE (5).
3. Reemplace los estuches de filtro (16).

9.3 Reemplazar los estuches de filtro (16).

Haga vibrar los estuches de filtro (16) antes de realizar un cambio de filtro, conectando el vibrador electromagnético (conmutar interruptor en (2) posición "IR").

Utilizando una moneda o un objeto similar, gire el botón de cierre (14) de la tira transversal (13) unos 90° en el sentido contrario al de las agujas del reloj y presiónese hacia atrás la tira transversal (13). Levante la tapa y extraiga hacia arriba los estuches de filtro (16). Coloque inmediatamente los estuches de filtro retirados en una bolsa de plástico a prueba de polvo y elimínelos conforme al uso previsto. Vuelva a introducir unos estuches de filtro nuevos, procurando que la zona sobre la que los filtros reposan esté limpia y que estos estén bien sujetos.

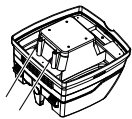
9.4 Filtro de protección del motor

Controle con regularidad el filtro de protección del motor. En caso de que el filtro de protección del motor (15) esté sucio, esto es un indicio de que los estuches de filtro están defectuosos (16):

- Reemplace los estuches de filtro (16).

- Recambie el filtro de protección del motor (15) o enjuáguelo bajo agua, séquelo y móntelo nuevamente.

9.5 Sensor de agua



Limpie el sensor de agua con regularidad y compruebe que no haya signos de deterioro en él.

9.6 Trabajos adicionales de mantenimiento

Trabajos adicionales de mantenimiento son realizados por el servicio al cliente de Metabo.

10 Localización de averías

En caso de que suene el indicador de control del flujo volumétrico (3), esto será una señal para recambiar la bolsa de filtro de papel / de fieltro.

Disminución de la potencia de aspirado:

Observe las indicaciones en el capítulo Limpieza.

- ¿Estuches de filtro (16) sucias? - limpiar.
- ¿Bolsas de filtro de papel (7) / de fieltro (6) llenas? - recambiar.
- ¿Bolsa de filtro de PE (5) llena? - recambiar.
- ¿Depósito (10) lleno? - vaciar.
- ¿Filtro de protección de motor (15) lleno? - véase capítulo 9.
- ¿Tobera, tubos o manguera tapada? - limpiar.

El aparato no se enciende:

- ¿Está bien enchufado?
- ¿Hay corriente?
- ¿El cable de alimentación está en buen estado?
- ¿La tapa del aparato está bien cerrada?
- ¿Lo ha desconectado el sensor de agua? - Vacíe el depósito; apágue y reconecte el aparato.
- ¿Pulsador (2) en posición "AR"? - Conmute en posición "I" o "IR". Véase el capítulo 6.1.
- La herramienta no conecta o desconecta la aspiradora a pesar de que el interruptor (2) está en posición "AR". - Enchufe la herramienta eléctrica (4).

Polvo en el depósito con bolsa de filtro de papel / fieltro colocada:

- Posición del botón giratorio errónea. Véase el capítulo 5.1.

Bolsa de filtro de PE es aspirada a los estuches de filtro (16) :

- Posición del botón giratorio errónea. Véase el capítulo 5.2.

Bolsa de filtro de PE es aspirada a los estuches de filtro (16) :

- Posición del botón giratorio errónea. Véase el capítulo 5.2.

⚠ No realice ninguna intervención en el aparato. Diríjase a cualquier taller autorizado o al servicio de asistencia al cliente de Metabo (ver capítulo 12 Reparación)

11 Accesorios

Use únicamente accesorios Metabo originales.

Si necesita accesorios, consulte a su proveedor.

Véase la página 4.

ASR 35 AutoClean:

- Bolsas de filtro de papel-M
5 unidades = 1 juego
- Bolsa de filtro de fieltro-M
5 unidades = 1 juego
- Bolsa de filtro de PE-M
5 unidades = 1 juego
- Estuche de filtro-M material de celulosa
2 unidades = 1 juego
- Estuche de filtro-M material de poliéster
2 unidades = 1 juego
- Estuche de filtro-HEPA
2 unidades = 1 juego
- Filtro de protección de motor (1 unidad). Debe solicitarse 2 unidades.
- Asa para empujar
- Soportes para cables (10 unidades)
- Manguera de aspiración
- Pieza de conexión
- Tubos de aspiración (2 unidades)
- Pieza intermedia
- Tobera de aspiración
- Tobera de suelo (modelo de metal)
- Tobera universal
- Cepillo universal
- Cepillo con almohadilla
- Tobera de ranura
- Tobera de goma
- Juego de tobera de suelo (con dispositivo para el suelo y dispositivo para aspirar en húmedo)
- Tobera polivalente
- Herramientas eléctricas Juego de aspiradora
- Manguera de aspiración
- Manguera de aspiración (antiestática)
- Adaptador
- Manguera de aspiración con pieza de conexión de 30 mm de \varnothing interior y pieza de conexión de 35 mm de \varnothing exterior

12 Reparación

Las reparaciones de aparatos SOLAMENTE deben ser efectuadas por electricistas especializados

Use solamente las piezas de repuesto Metabo.

En caso de tener herramientas eléctricas que necesiten ser reparadas, diríjase, por favor, a su representante de Metabo. En la página www.metabo.com encontrará las direcciones necesarias.

En la página web www.metabo.com puede descargar listas de repuestos.

13 Protección ecológica

Los embalajes Metabo son 100% reciclables.

Las herramientas y accesorios usados contiene una gran cantidad de materiales y plásticos que también se pueden reciclar.

Estas instrucciones de uso están impresas en papel blanqueado sin cloro.

14 Especificaciones técnicas

Notas explicativas sobre la información de la página 2.

Nos reservamos el derecho a efectuar modificaciones conforme al avance técnico.

A	=	Dimensiones externas
U	=	Tensión de la red
F	=	Frecuencia de la red
A	=	Toma de corriente
N	=	Cable de alimentación
P ₁	=	Potencia de entrada nominal
p _{U1}	=	vacío máx (en la manguera)
p _{U2}	=	vacío máx (en el ventilador)
V _{l/s1}	=	flujo volumétrico máx. (en manguera)
V _{l/s2}	=	flujo volumétrico máx. (en ventilador)
D _{max1}	=	máx. caudal de líquido de circulación (en manguera)
D _{max2}	=	máx. caudal de líquido de circulación (en ventilador)
V	=	capacidad máx. del depósito
m	=	peso (sin cable de red)

Niveles acústicos característicos compensados A:

L _{pA}	=	Nivel de intensidad acústica
L _{WA}	=	Nivel de potencia acústica

Al trabajar, el nivel de ruido puede superar los 80 dB(A).



¡Leve auriculares protectores!

Las especificaciones técnicas aquí indicadas se entienden dentro de determinadas tolerancias (conformes a las normas que rigen actualmente).

metabo[®]

Metabowerke GmbH,
72622 Nürtingen, Germany
www.metabo.com