

Noble Curbs

Installation Instructions

www.noblecompany.com

1. PRODUCT & MATERIALS

- 1.1 Noble Curbs are made from high density, expanded polystyrene (EPS) and coated with an acrylic polymer finish. Noble Curbs are waterproof and ready-for-tile. They are lightweight, durable, and are not a food source for fungus and mold.
- Other Tools & Materials Needed for Curb Overlays: Utility knife, caulk gun, 100% silicone sealant, and large headed fasteners.
- Other Tools & Materials Needed for Solid Curbs: Fine tooth saw, modified thin-set mortar, and 100% silicone sealant.

2. PREPARATORY WORK

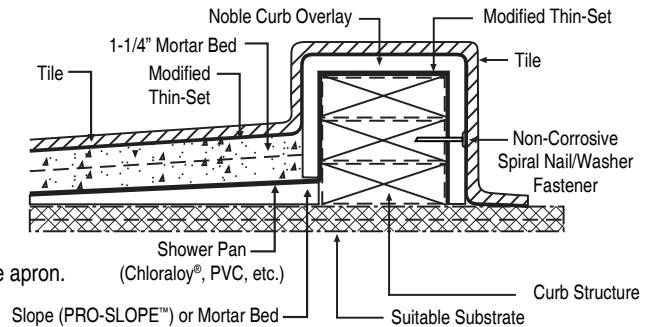
- 2.1 Substrate should be level and flat prior to commencing work. Read all instructions.

Noble Curb Overlay Installation Instructions

3. INSTALLING CURB OVERLAY

NOTE: Noble Curb Overlay should be installed prior to installation of full mortar bed and after waterproof membrane.

- 3.1 Cut Curb Overlay to length.
- 3.2 Coat inside of Curb Overlay with modified thin-set mortar and place over shower pan liner.
- 3.3 Noble Curb Overlay should rest firmly on curb structure. Thin-set coating should provide leveling and support for the Noble Curb Overlay.
- 3.4 After Noble Curb Overlay is leveled, secure with large headed fastener on outside apron.
- 3.5 Caulk with 100% silicone sealant where the Curb Overlay meets the wall/jamb.

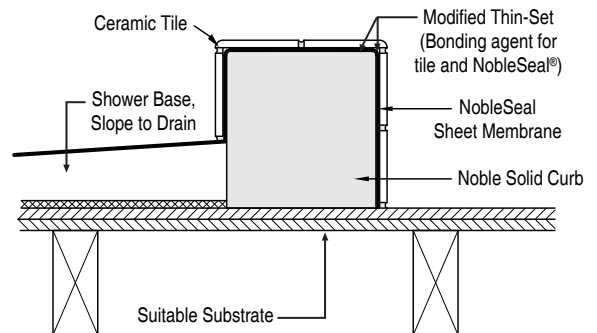


Noble Solid Curb Installation Instructions

3. INSTALLING SOLID CURB

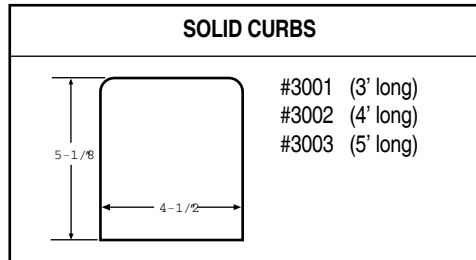
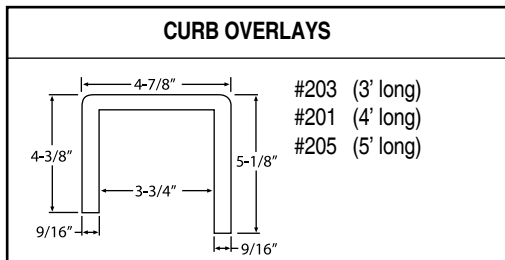
NOTE: Noble Solid Curb should be installed prior to installation of shower pan.

- 3.1 Cut Noble Solid Curb to desired length and dry fit.
- 3.2 Apply modified thin-set mortar to floor.
- 3.3 Apply modified thin-set mortar to bottom and both ends of curb.
- 3.4 Embed Curb into thin-set. **NOTE:** Weight (i.e., boxes of tile) can be applied to embed Curb into thin-set.
- 3.5 Carefully remove excess thin-set.
- 3.6 Allow thin-set to cure.
- 3.7 Caulk with 100% silicone sealant where Curb meets wall/jamb.
- 3.8 Install shower pan per manufacturer's instructions, applicable standards, and TCNA guidelines.
- 3.9 Extend waterproofing membrane (i.e. NobleSeal® TS) up and over Curb. **NOTE:** NobleSeal membranes may be bonded to Curb using modified thin-set.



4. TILE INSTALLATION: Install tile using modified thin-set per industry guidelines.

NOTE: For any situation not specifically covered, contact Noble Company's Technical Department at 1-800-878-5788 before proceeding. Follow TCNA Guidelines.



Note: Actual dimensions may vary +/- 1/8".



Simple Solutions... Proven Performance



P.O. Box 350 · Grand Haven, MI 49417-0350 · 800-878-5788
 Fax: 231-799-8850 · www.noblecompany.com
 © Registered Trademark of Noble Company
 ™ Trademark of Noble Company, Grand Haven, MI. ©2017 Noble Company
 File # NC102017-02 | 10/17 | Supersedes NC042017-06

VIEW MORE PRODUCT
 DETAILS, VIDEOS,
 AND DIAGRAMS ONLINE

