

Noble Niche

Installation Instructions

www.noblecompany.com

Noble Niche Installation Instructions

1. GENERAL INFORMATION

- 1.1 Noble Niches are made from high density, extruded polystyrene (XPS) and coated with an acrylic polymer finish. Noble Niches are waterproof and ready-to-tile. They are lightweight, durable and are not a food source for fungus and mold. Four inches thick and designed for 2" x 4" walls with 1/2" backer board.

2. TOOLS & MATERIALS

- 2.1 **TOOLS:** Saw (for cutting backer board).
- 2.2 **MATERIALS:** Backer board tape or appropriate waterproofing membrane, and 100% silicone sealant.

3. PLANNING & INSTALLATION

- 3.1 R-value of niche is approximately 2.5. In cold climates, this may not be suitable for exterior walls.
- 3.2 Determine desired height of Niche.
- 3.3 Draw a level line between studs at the desired height location. Place Niche on level line, trace outside edge accurately.
- 3.4 Cut and remove panel.
- 3.5 Use 100% silicone sealant to adhere Niche to back wall.
- 3.6 Seal joints between Niche and backer board using 100% silicone sealant. Silicone should not be smeared over the face of the Niche or backer board.
- 3.7 Tape joints with backer board tape or bond appropriate waterproofing membrane to walls and overlap joints.
- 3.8 Install tile using latex modified thin-set according to TCNA guidelines.

Noble Corner Niche Installation Instructions

1. GENERAL INFORMATION

- 1.1 Noble Corner Niches are made from high density, extruded polystyrene (XPS) and coated with an acrylic polymer finish. Noble Corner Niches are waterproof and ready-to-tile. They are lightweight, durable and are not a food source for fungus and mold.

2. TOOLS & MATERIALS

- 2.1 **TOOLS:** Square notch trowel (1/4" x 1/4").
- 2.2 **MATERIALS:** Mortar mix, latex modified thin-set, and 100% silicone sealant.

3. PLANNING & INSTALLATION

- 3.1 Shower should be waterproofed in accordance with Tile Council of North America (TCNA) guidelines and all applicable codes prior to installation of Niche.
- 3.2 Ensure that the walls where the Corner Niche is to be installed are square and plumb.
- 3.3 Apply a latex modified thin-set to the walls behind and to the floor under the Corner Niche. Use a 1/4" x 1/4" square notch trowel.
- 3.4 Slide the Corner Niche into the thin-set. Flatten the ridges with firm pressure.
- 3.5 Ensure that there is complete coverage of the thin-set.
- 3.6 Repeat steps 3.3 - 3.5 for the top section of the Corner Niche. Ensure that thin-set is applied between the top and bottom sections.
- 3.7 Once the Corner Niche is installed, use 100% silicone sealant to seal all joints where the Corner Niche meets the walls. Do not seal where the Corner Niche meets the floor.
- 3.8 Install tile using latex modified thin-set according to TCNA guidelines.

NOTE: For any situation not specifically covered, contact Noble Company's Technical Department at 1-800-878-5788, before proceeding. Follow TCNA Guidelines.

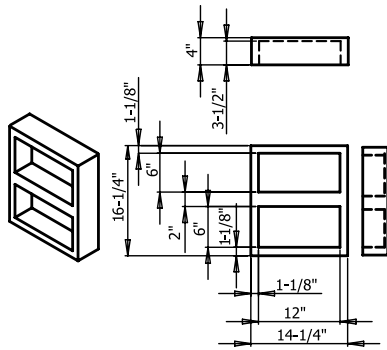


VIEW PRODUCT DETAILS
AND DIAGRAMS ONLINE

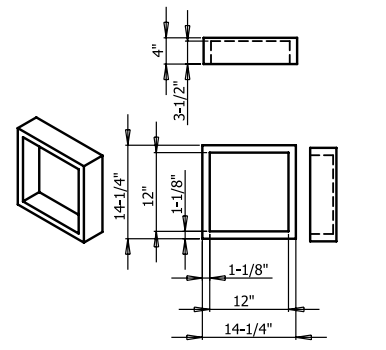


NOTE: Actual dimensions may vary +/- 1/8".

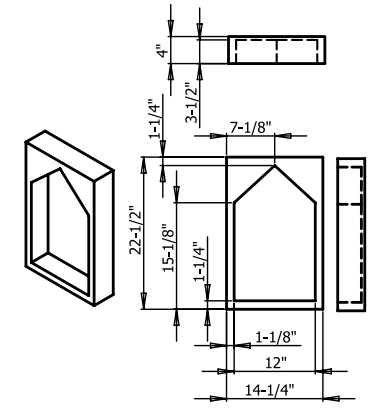
#278 Spice Rack Niche



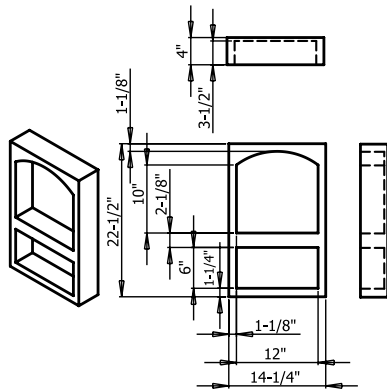
#301 Square Niche



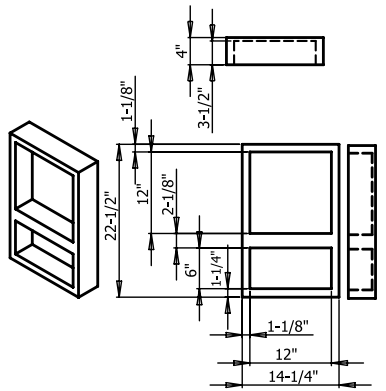
#302 Peaked Niche



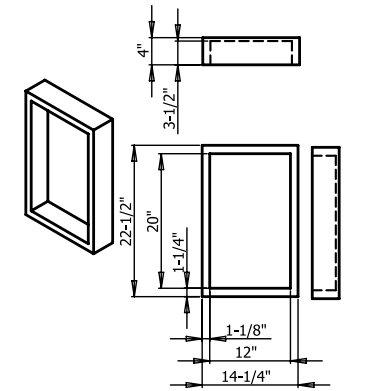
#303 Wide Arch Combo Niche



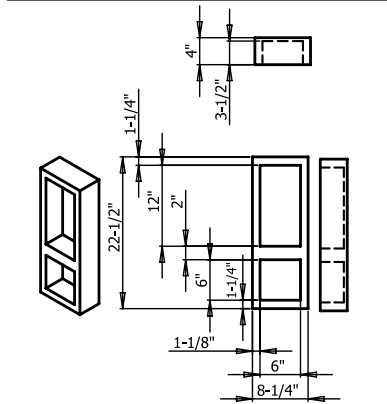
#304 Wide Combo Niche



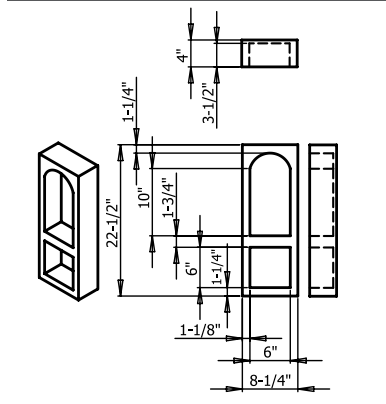
#314 Rectangular Niche



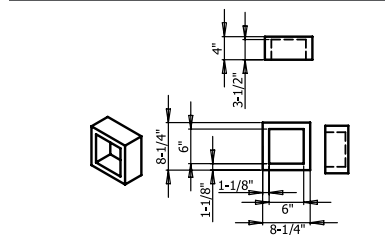
#305 Narrow Combo Niche



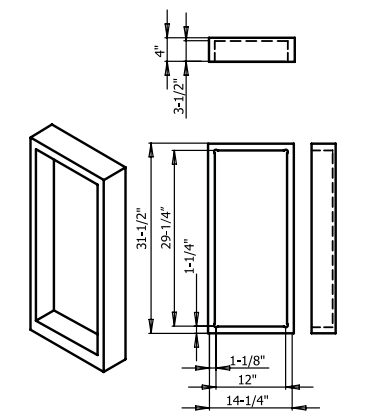
#306 Narrow Arch Combo Niche



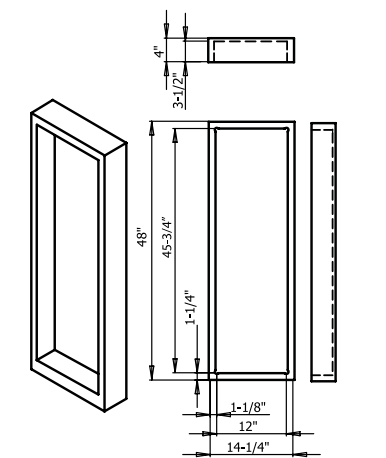
#308 Soap Niche



#2942 31-1/2" Tall Niche



#2943 4' Tall Niche



#2781 4-Shelf Corner #2782 2-Shelf Corner Niches

