

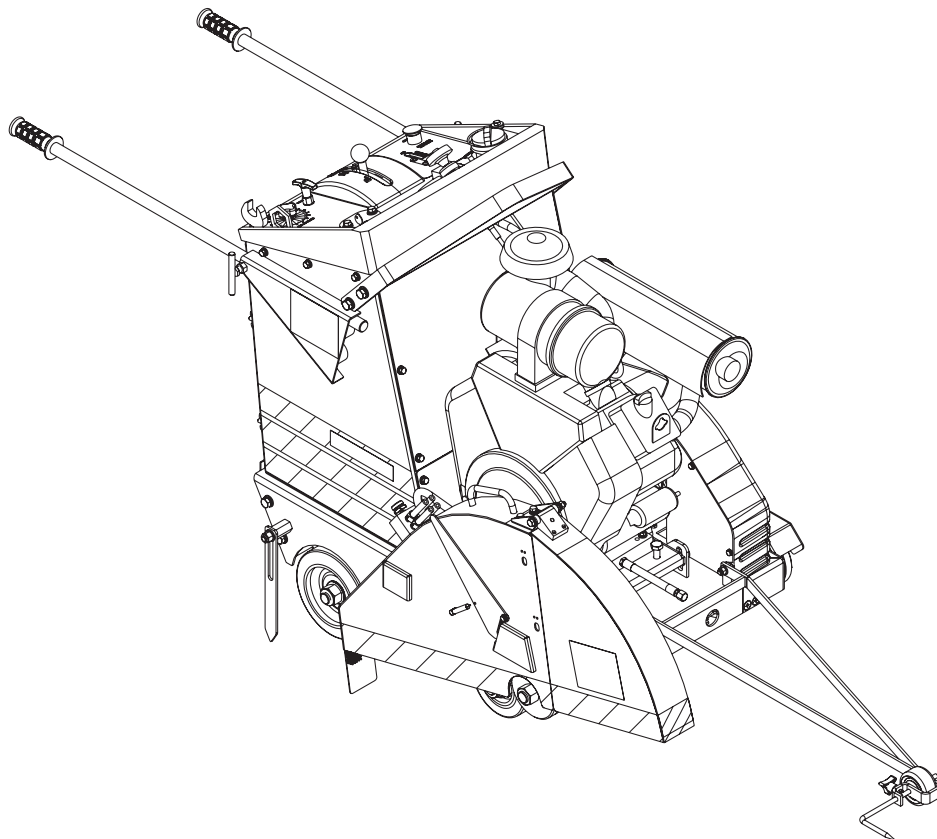
NORTON

clipper

C35 Series 10/2013

SELF PROPELLED SAW SERIES PARTS LIST

**C35 VANGUARD
GASOLINE SERIES**



CAUTION: Read all safety and operating instructions before using this equipment. This manual **MUST** accompany the equipment at all times.

Revision: 104 10/2013
Manual Part# 168497-PL

Congratulations on your purchase of a C35 Self Propelled Flat Saw. We are certain that you will be pleased with your purchase. Norton Clipper takes pride in producing the finest construction power tools and diamond blades in the industry.

Operated correctly, your C35 Self Propelled Flat Saw should provide you with years of service. In order to help you, we have included this manual. This owners manual contains information necessary to operate and maintain your C35 Self Propelled Flat Saw safely and correctly. Please take the time to familiarize yourself with the C35 Self Propelled Flat Saw by reading and reviewing this manual.

Read and follow all safety, operating and maintenance instructions.

If you should have questions concerning your C35 Self Propelled Flat Saw, please feel free to call our friendly customer service department at: (254) 918-2310

Regards,



NOTE THIS INFORMATION FOR FUTURE USE:

MODEL NUMBER:	
SERIAL NUMBER:	
PURCHASE PLACE:	
PURCHASE DATE:	

SELF PROPELLED FLAT SAW	PAGE NO.
PARTS LIST	
FIGURE 1 - PARTS LIST: C3520SS CONCRETE SAW - P/N 168497-20	4-5
FIGURE 2 - PARTS LIST: C3526SS CONCRETE SAW - P/N 168497-26	6-7
FIGURE 3 - PARTS LIST: C3530SS CONCRETE SAW - P/N 168497-30	8-9
FIGURE 4 - PARTS LIST: C3500SS CONCRETE SAW PARENT - P/N 168497	10-11
FIGURE 5 - PARTS LIST: C3500SS CONCRETE SAW PARENT - P/N 168497	12-13
FIGURE 6 - PARTS LIST: C3500SS CONCRETE SAW PARENT - P/N 168497	14-15
FIGURE 7 - PARTS LIST: C3500SS CONCRETE SAW PARENT - P/N 168497	16-17
FIGURE 8 - PARTS LIST: ASSY. 20" BLADE GUARD - P/N 168279-20	18-19
FIGURE 9 - PARTS LIST: ASSY. 26" BLADE GUARD - P/N 168279-26	20-21
FIGURE 10 - PARTS LIST: ASSY. 30" BLADE GUARD - P/N 168279-30	22-23
FIGURE 11 - PARTS LIST: ASSY. ENGINE, - P/N 162737	24-25
FIGURE 12 - PARTS LIST: ASSY, CONTROL PANEL - P/N 162739-NRT	26-27
FIGURE 13 - PARTS LIST: ASSY, FRAME SUB - P/N 166326	28-29
FIGURE 14 - PARTS LIST: ASSY, BLADE SHAFT - P/N 170034	30
FIGURE 15 - PARTS LIST: ASSY, TRANSMISSION - P/N 166338	31-32
FIGURE 16 - PARTS LIST: ASSY, TRUCK - P/N 162742	33
FIGURE 17 - PARTS LIST: ASSY, AXLE, REAR - P/N 166331	34
FIGURE 18 - PARTS LIST: ASSY, FUEL TANK, GASOLINE - P/N 166357-NRT	35
FIGURE 19 - PARTS LIST: ASSY, POINTER - P/N 162732-NRT	36
FIGURE 20 - PARTS LIST: ASSY, SHAFT GUARD - P/N 166056	37
FIGURE 21 - PARTS LIST: ASSY, CONTROLHEAD, FNR - P/N 162882	38
FIGURE 22 - PARTS LIST: ASSY, WATER VALVE - P/N 164161	39
FIGURE 23 - PARTS LIST: ASSY, ACTUATOR - P/N 167994	39
FIGURE 24 - PARTS LIST: ASSY, DEPTH INDICATOR - P/N 162881	40
FIGURE 25 - PARTS LIST: ASSY, TRANS. IDLER - P/N 164163	41
FIGURE 26 - PARTS LIST: ASSY, WATER MANIFOLD, 2T - P/N 167624	41
FIGURE 27 - PARTS LIST: ASSY, WATER MANIFOLD, 4T - P/N 167625	42
FIGURE 28 - PARTS LIST: ASSY, HINGE - P/N 163979	42
FIGURE 29 - PARTS LIST: ASSY, REAR POINTER - P/N 163824	43
GENERAL PRODUCT INFORMATION	
CONTACT INFORMATION AND LIMITED WARRANTY	47

FIGURE 1 - PARTS LIST: C3520SS CONCRETE SAW P/N 168497-20

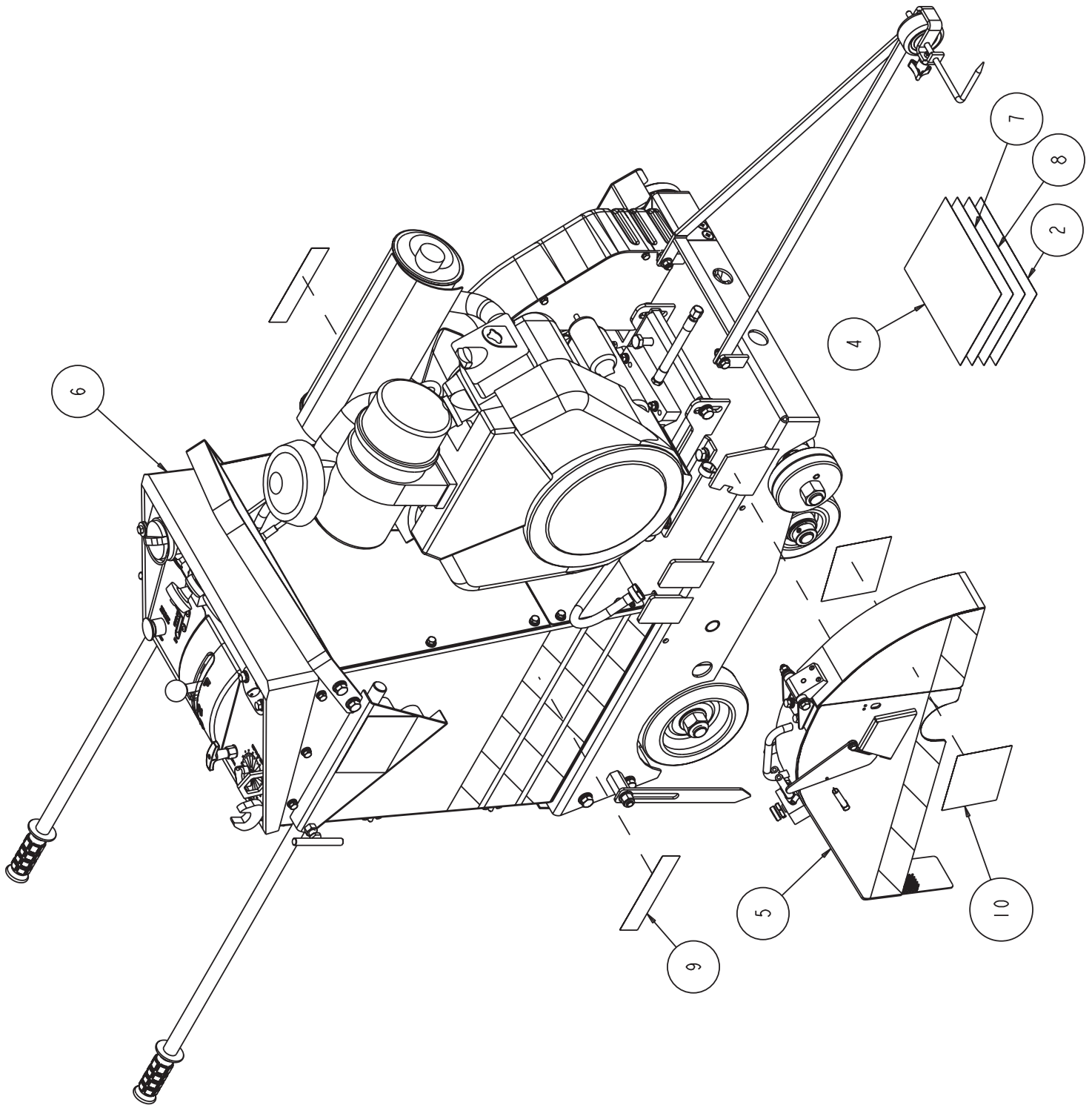


FIGURE 1 - PARTS LIST: C3520SS CONCRETE SAW P/N 168497-20

ITEM NO.	DESCRIPTION	PART OR IDENTIFYING NO.	QTY. REQ.
1	MANUAL TUBE, CLEAR	155419	1
2	CARD, WARRANTY, NORTON	155859	1
3	PALLET, 4000	162658	1
4	SHEET, WARNING LABELS, CONCRETE	166009	1
5	ASSY, BLADE GUARD 20"	168297-20	1
6	C3520SS CONC SAW, PARENT	168497	1
7	OWNERS MANUAL, C35	168497-OM	1
8	PARTS MANUAL, C35	168497-PM	1
9	LABEL, C3520SS MODEL	168545-3520	2
10	LABEL, NORTON/CLIPPER LOGO	168546	2

FIGURE 2 - PARTS LIST: C3526SS CONCRETE SAW - P/N 168497-26

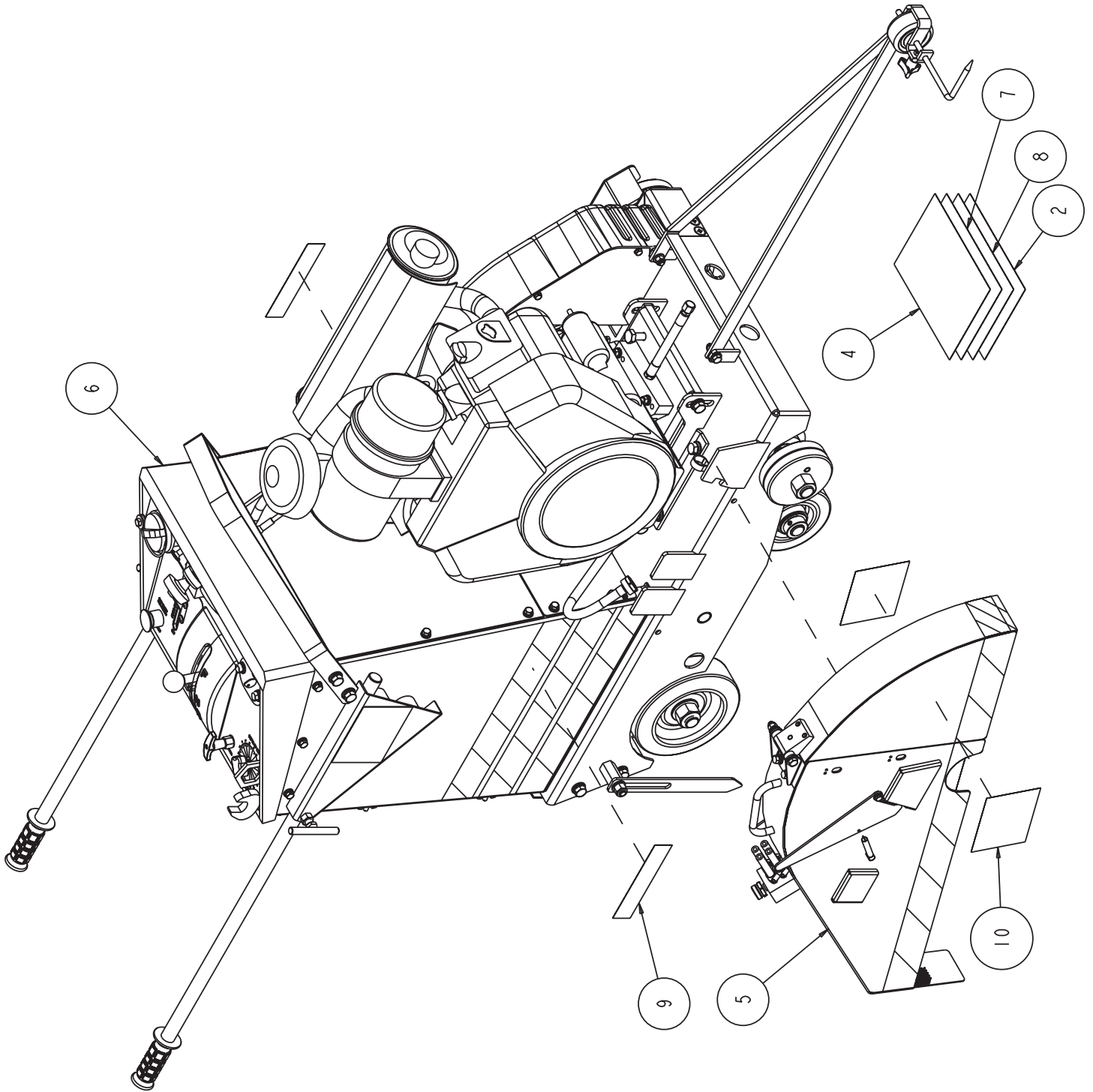


FIGURE 2 - PARTS LIST: C3526SS CONCRETE SAW - P/N 168497-26

ITEM NO.	DESCRIPTION	PART OR IDENTIFYING NO.	QTY. REQ.
1	MANUAL TUBE, CLEAR	155419	1
2	CARD, WARRANTY, NORTON	155859	1
3	PALLET, 4000	162658	1
4	SHEET, WARNING LABELS, CONCRETE	166009	1
5	ASSY, BLADE GUARD 26"	168297-26	1
6	C3520SS CONC SAW, PARENT	168497	1
7	OWNERS MANUAL, C35	168497-OM	1
8	PARTS MANUAL, C35	168497-PM	1
9	LABEL, C3526SS MODEL	168545-3526	2
10	LABEL, NORTON/CLIPPER LOGO	168546	2

FIGURE 3 - PARTS LIST: C3530SS CONCRETE SAW - P/N 168497-30

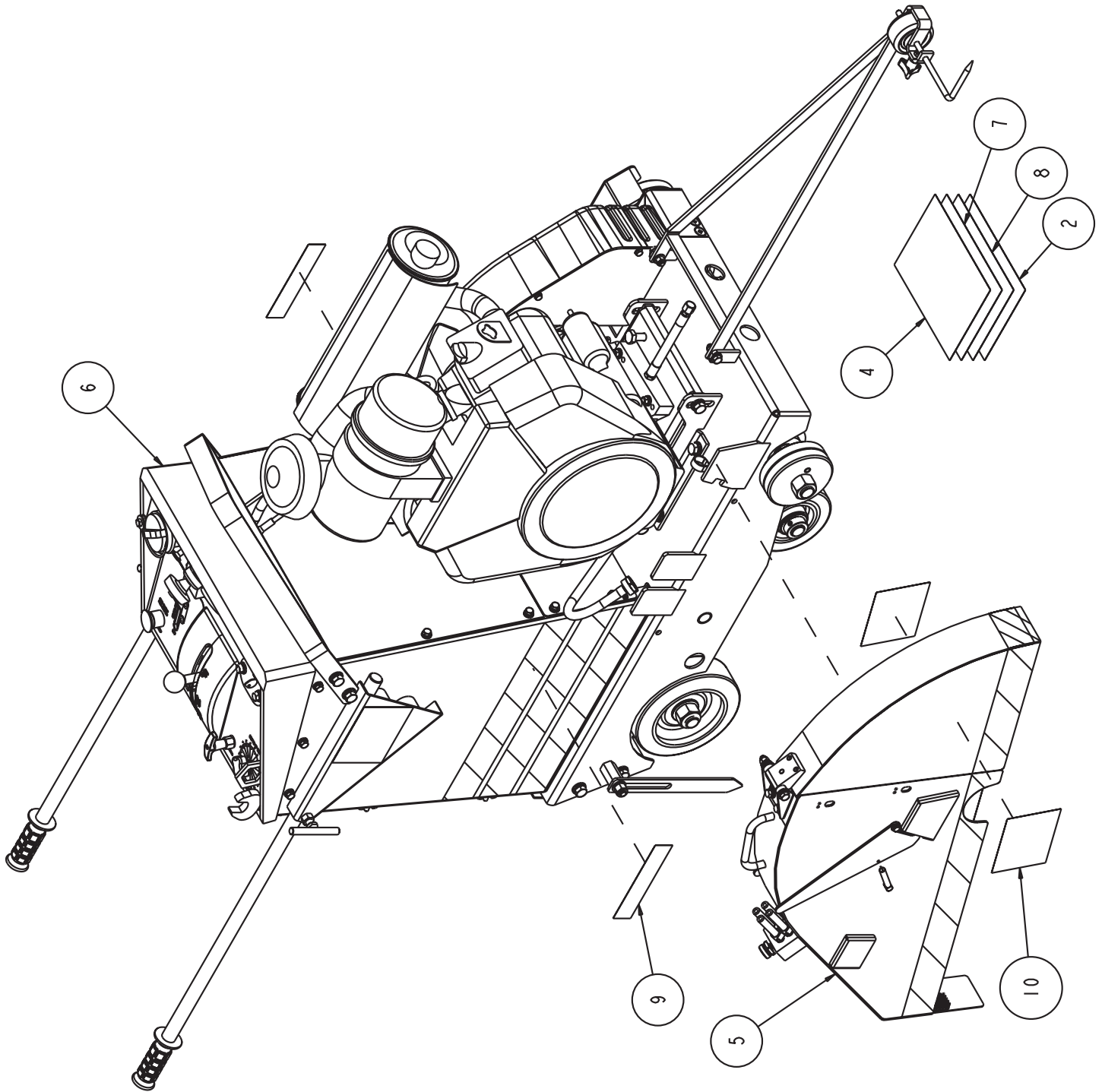


FIGURE 3 - PARTS LIST: C3530SS CONCRETE SAW - P/N 168497-30

ITEM NO.	DESCRIPTION	PART OR IDENTIFYING NO.	QTY. REQ.
1	MANUAL TUBE, CLEAR	155419	1
2	CARD, WARRANTY, NORTON	155859	1
3	PALLET, 4000	162658	1
4	SHEET, WARNING LABELS, CONCRETE	166009	1
5	ASSY, BLADE GUARD 30"	168297-30	1
6	C3520SS CONC SAW, PARENT	168497	1
7	OWNERS MANUAL, C35	168497-OM	1
8	PARTS MANUAL, C35	168497-PM	1
9	LABEL, C3530SS MODEL	168545-3530	2
10	LABEL, NORTON/CLIPPER LOGO	168546	2

FIGURE 4 - PARTS LIST: C3500SS CONCRETE SAW, PARENT - P/N 168497

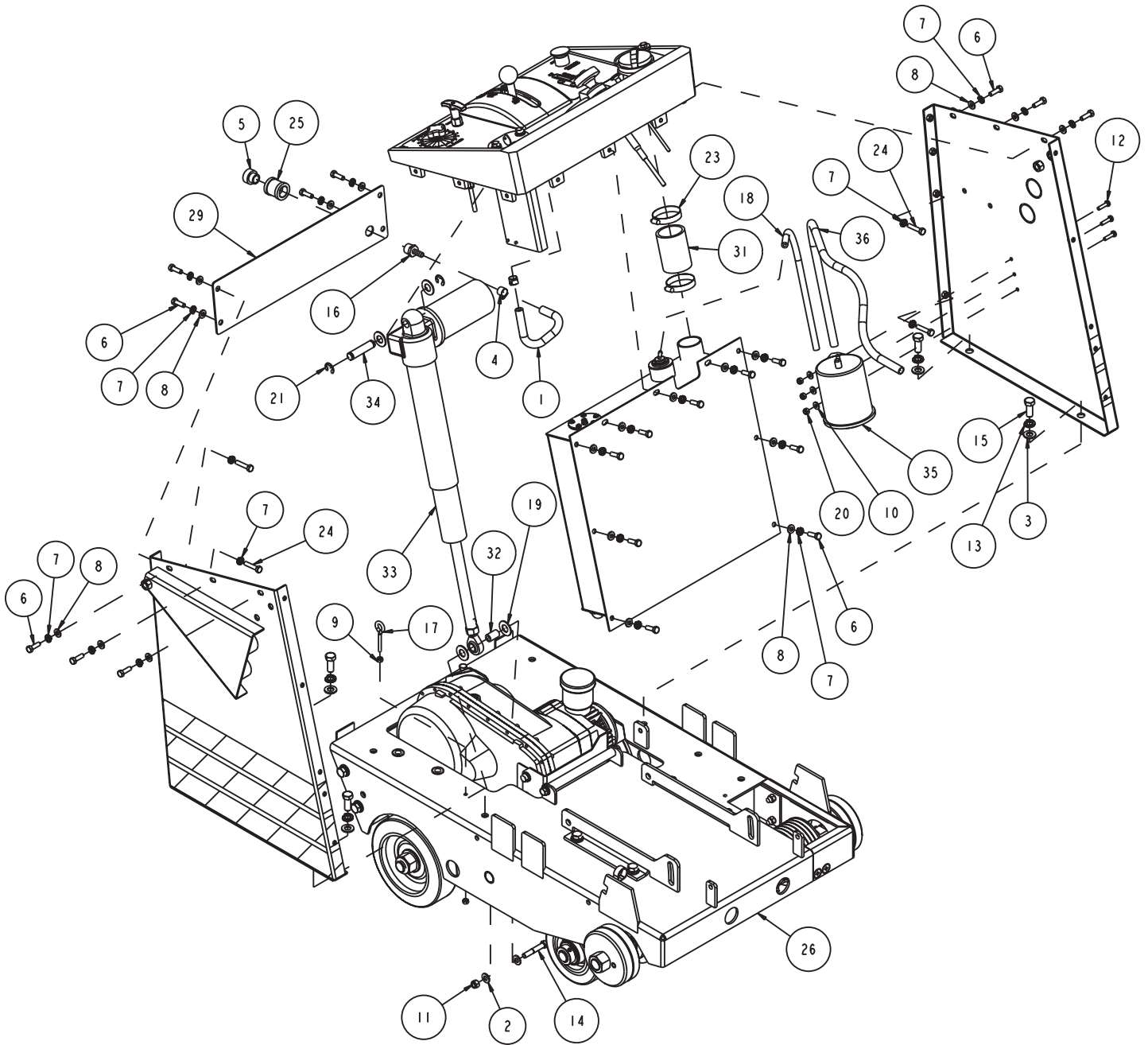


FIGURE 4 - PARTS LIST: C3500SS CONCRETE SAW, PARENT - P/N 168497

ITEM NO.	DESCRIPTION	PART OR IDENTIFYING NO.	QTY. REQ.
1	HOSE, 3/8 X 5/8 VINYL, 12"	150845	1
2	WASHER, 3/8 SAE FLAT	150923	2
3	WASHER, 1/2 SAE FLAT	150924	4
4	CLAMP, 5/8 HOSE	151198	2
5	FITTING, 1/2 MNPT X 3/4 FNH	151322	1
6	SCREW, 5/16-18 X 1 HEX HEAD	151743	19
7	WASHER, LOCK, SPLIT, 5/16	151747	23
8	WASHER, FLAT, SAE, 5/16	151754	19
9	NUT, 1/4-20 HEX	151893	2
10	WASHER, 1/4 SAE FLAT	151915	3
11	NUT, 3/8-16 NYLOK HEX	152505	1
12	SCREW, HEX HD CAP, 1/4 - 20 X 1	152676	3
13	WASHER, 1/2 SPLIT LOCK	153524	4
14	SCREW, 3/8 - 16 X 2 - 1/4 HEX HEAD	153529	1
15	SCREW, 1/2 - 13 X 1 - 1/4 HEX HEAD CAP	153532	4
16	FITTING, 1/2 MNPT X 3/8 BARB	153653	1
17	EYEBOLT, 1/4 - 20 X 2	153887	1
18	HOSE, 1/4 FUEL, 16"	154163	1
19	WASHER, FLAT, 5/8 SAE	158350	4
20	NUT, HEX, NYLK, 1/4 - 20	159857	3
21	RING, 5/8 E-STYLE RETAINING	160815	2
22	ASSY, CONTROL PANEL, 35SS	162739-NRT	1
23	CLAMP, HOSE, 1 - 15/16 TI 2 - 1/4	162816	2
24	BOLT, 5/16 - 18 X 1/ - 1/2 HEX HEAD TAP	162819	4
25	FITTING, 1/2 NPT COUPLER	164208	1
26	ASSY, FRAME SUB	166326	1
27	PANEL, TOWER R/H	166351-NRT	1
28	PANEL, TOWER L/H	166352-NRT	1
29	PANEL, TOWER, UPPER BACK, C35	166353-NRT	1
30	ASSY, FUEL TANK, GASOLINE	166357-NRT	1
31	HOSE, 2.0 ID FUEL FILL(COMP)	167213	1
32	BUSHING, 3/8 X 5/8 X 1	167993	1
33	ASSY, ACUTATOR	167994	1
34	PIN, MOUNTING, 5/8	167998	1
35	CANISTER, CARBON, 600CC	169773	1
36	HOSE, FUEL, 1/2, LOW PERM, 32"	169775	1

FIGURE 5 - PARTS LIST: C3500SS CONCRETE SAW, PARENT - P/N 168497

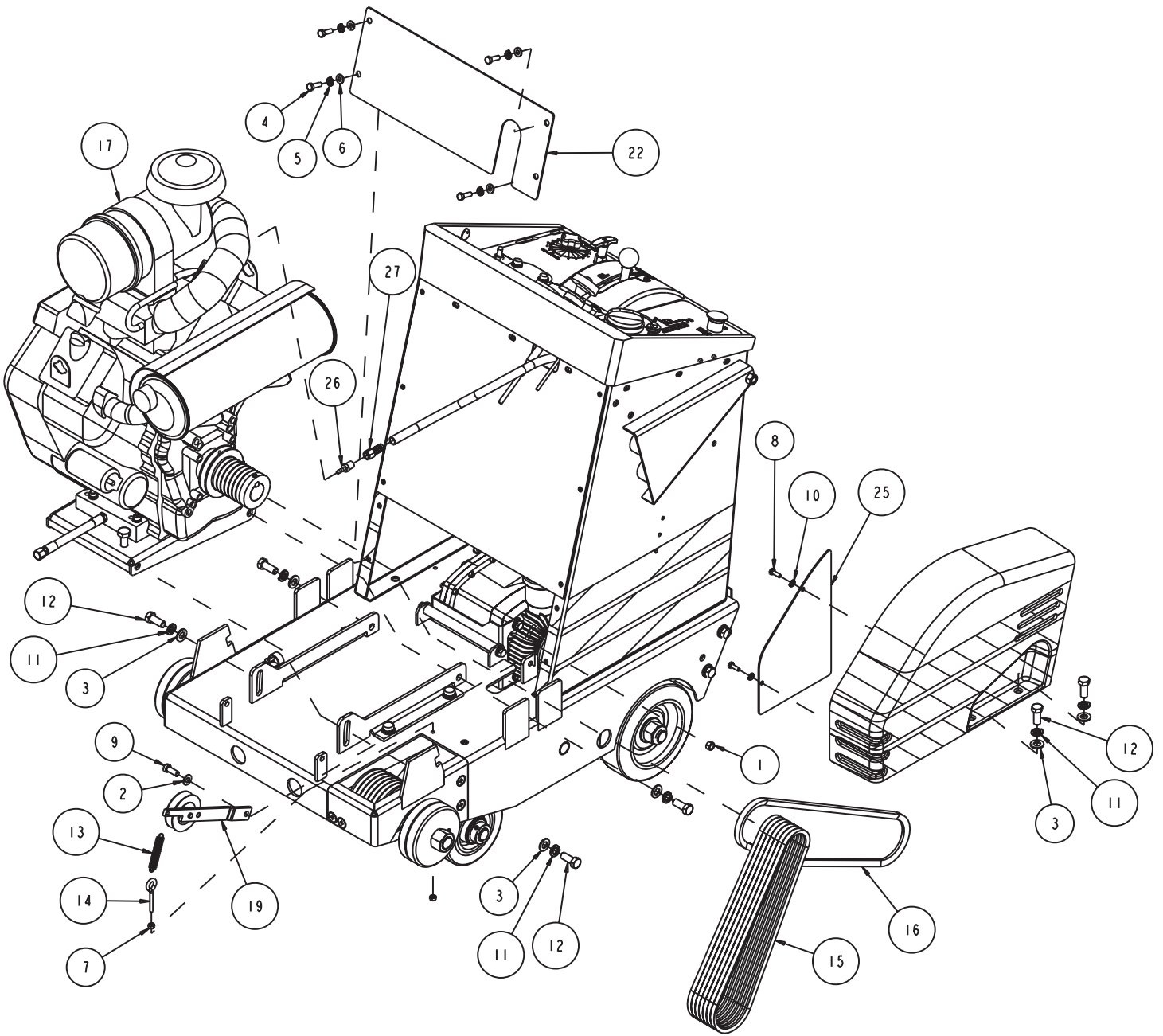


FIGURE 5 - C3500SS CONCRETE SAW, PARENT - P/N 168497

ITEM NO.	DESCRIPTION	PART OR IDENTIFYING NO.	QTY. REQ.
1	NUT, 3/8-16 HEX	101188	1
2	WASHER, 3/8 SAE FLAT	150923	1
3	WASHER, 1/2 SAE FLAT	150924	6
4	SCREW, 5/16-18 X 1 HEX HEAD	151743	4
5	WASHER, LOCK, SPLIT, 5/16	151747	4
6	WASHER, FLAT, SAE, 5/16	151754	4
7	NUT, 1/4-20 HEX	151893	2
8	SCREW, 1/4-20 X 3/4 HEX HEAD	152370	2
9	SCREW, HEX HD CAP, 3/8-16 X 1	152507	1
10	WASHER, 1/4 SPLIT LOCK	152591	2
11	WASHER, 1/2 SPLIT LOCK	153524	6
12	SCREW, 1/2-13 X 1-1/4 HEX HEAD CAP	153532	6
13	SPRING, 9/16 X 2.5 EXTENSION	153807	1
14	EYEBOLT, 1/4-20 X 2	153887	1
15	BELT, V, 3VX375	157891	7
16	BELT, AX-44	161418	1
17	ASSY, ENGINE, 3000V	162737	1
18	ASSY, CONTROL PANEL, 35SS	162739-NRT	1
19	ASSY, TRANS IDLER	164163	1
20	PANEL, TOWER R/H	166351-NRT	1
21	PANEL, TOWER L/H	166352-NRT	1
22	PANEL, TOWER, LOWER FRONT, C35	166356-NRT	1
23	ASSY, FUEL TANK, GASOLINE	166357-NRT	1
24	CASTING, BELT GUARD (COMP)	166362-NRT	1
25	PLATE, BLT GRD, INNER	166637	1
26	FITTING, 1/4MNPT X 3/16 BARB	169361	1
27	FITTING, 1/4 FNPT X 1/2 BARB	169936	1

FIGURE 6 - PARTS LIST: C3500SS CONCRETE SAW, PARENT - P/N 168497

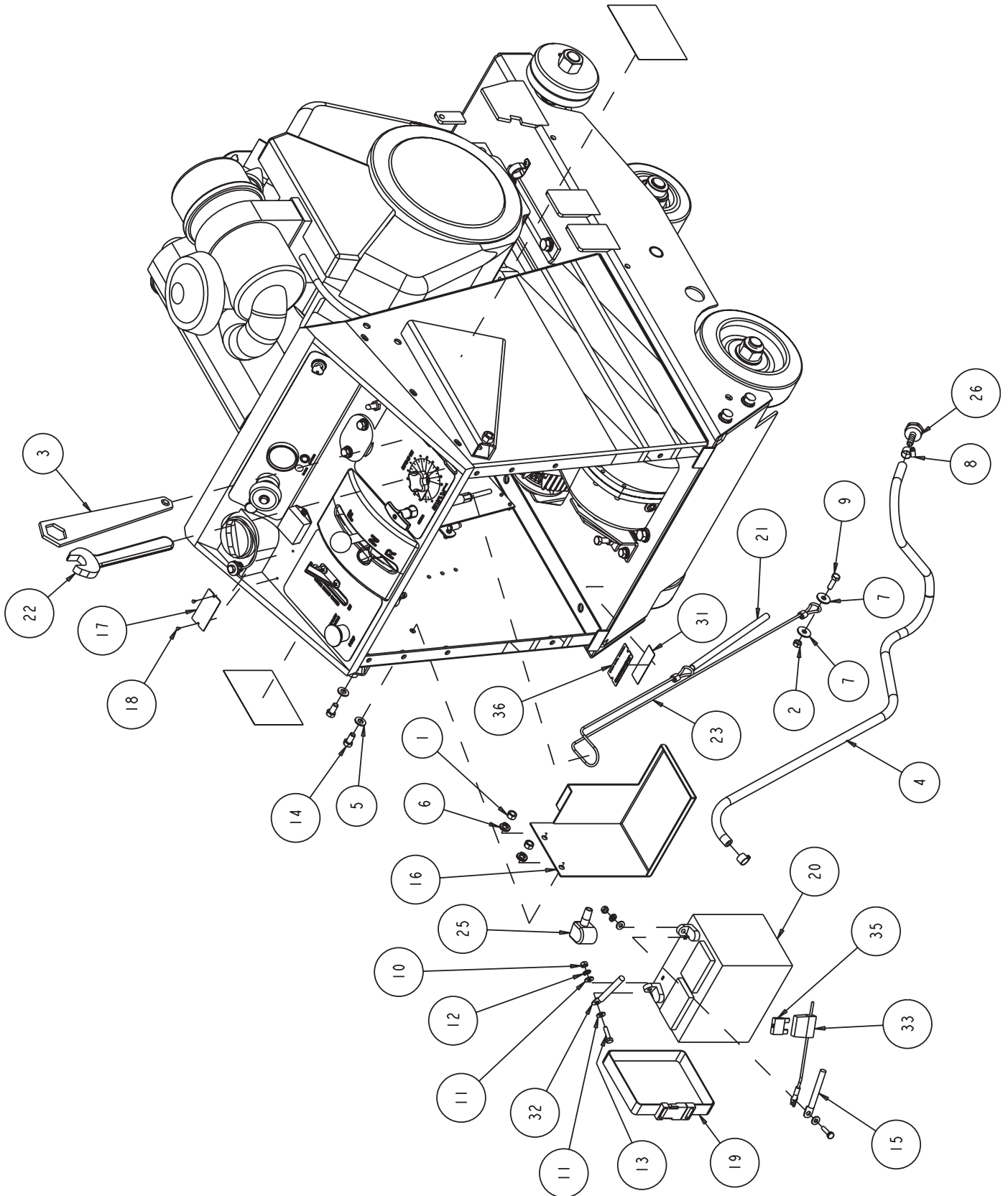


FIGURE 6 - PARTS LIST: C3500SS CONCRETE SAW, PARENT - P/N 168497

ITEM NO.	DESCRIPTION	PART OR IDENTIFYING NO.	QTY. REQ.
1	NUT, 3/8-16 HEX	101188	2
2	NUT, HEX, 5/16-18	101196	3
3	WRENCH, BOX END, 1 - 1/2 X 9/16	167976	1
4	HOSE, 3/8 X 5/8 VINYL, 36"	150845	1
5	WASHER, 3/8 SAE FLAT	150923	2
6	WASHER, 3/8 SPLIT LOCK	150925	2
7	5/16 FENDER WASHER	151053	2
8	CLAMP, 5/8 HOSE	151198	2
9	SCREW, 5/16-18 X 1 HEX HEAD	151743	1
10	NUT, HEX, 1/4 - 20	151893	2
11	WASHER, 1/4 SAE FLAT	151915	4
12	WASHER, 1/4 SPLIT LOCK	152591	2
13	SCREW, HEX HD CAP, 1/4 - 20 X 1	152676	2
14	SCREW, HEX, 3/8-16 X 3/4	153527	2
15	CABLE, 4GA X 48 RED BATTERY	153848	1
16	BOX, BATTERY	156634	1
17	TAG, SERIAL #, BLANK	157500-RW	1
18	DRIVE SCREW, #7 X 5/16 ROUND HEAD	157849	2
19	STRAP, NYLON, 1"	158094	1
20	BATTERY, 12V, 35AH	162589	1
21	SPRING, .44 X 10.3 X .041 EXTENSION	162627	1
22	WRENCH, 1" OPEN	162656	1
23	CABLE, 44" DEPTH INDICATOR	162724	1
24	ASSY, CONTROL PANEL, 35SS	162739-NRT	1
25	COVER, 1" BATTERY TERMINAL, RED	162769	1
26	FITTING, 3/4 X 11.5 FNH X 3/8 BARB	163991	1
27	PANEL, TOWER R/H	166351-NRT	1
28	PANEL, TOWER L/H	166352-NRT	1
29	WIRE HARNESS, 3000V	166355	1
30	ASSY, FUEL TANK, GASOLINE	166357-NRT	1
31	TAPE, VHB, 5952 (3.0")	166487	1
32	CABLE, BATTERY, BLACK, 4GA 36"	167289	1
33	WIRE HARNESS, ELEC R/L, 3000	168009	1
34	LABEL, NORTON/CLIPPER LOGO	168546	2
35	FUSE, 50A MAXI BLADE	168970	1
36	TAG, EVAP, 30S, PARENT	169945-C35	1

FIGURE 7 - PARTS LIST: C3500SS CONCRETE SAW, PARENT - P/N 168497

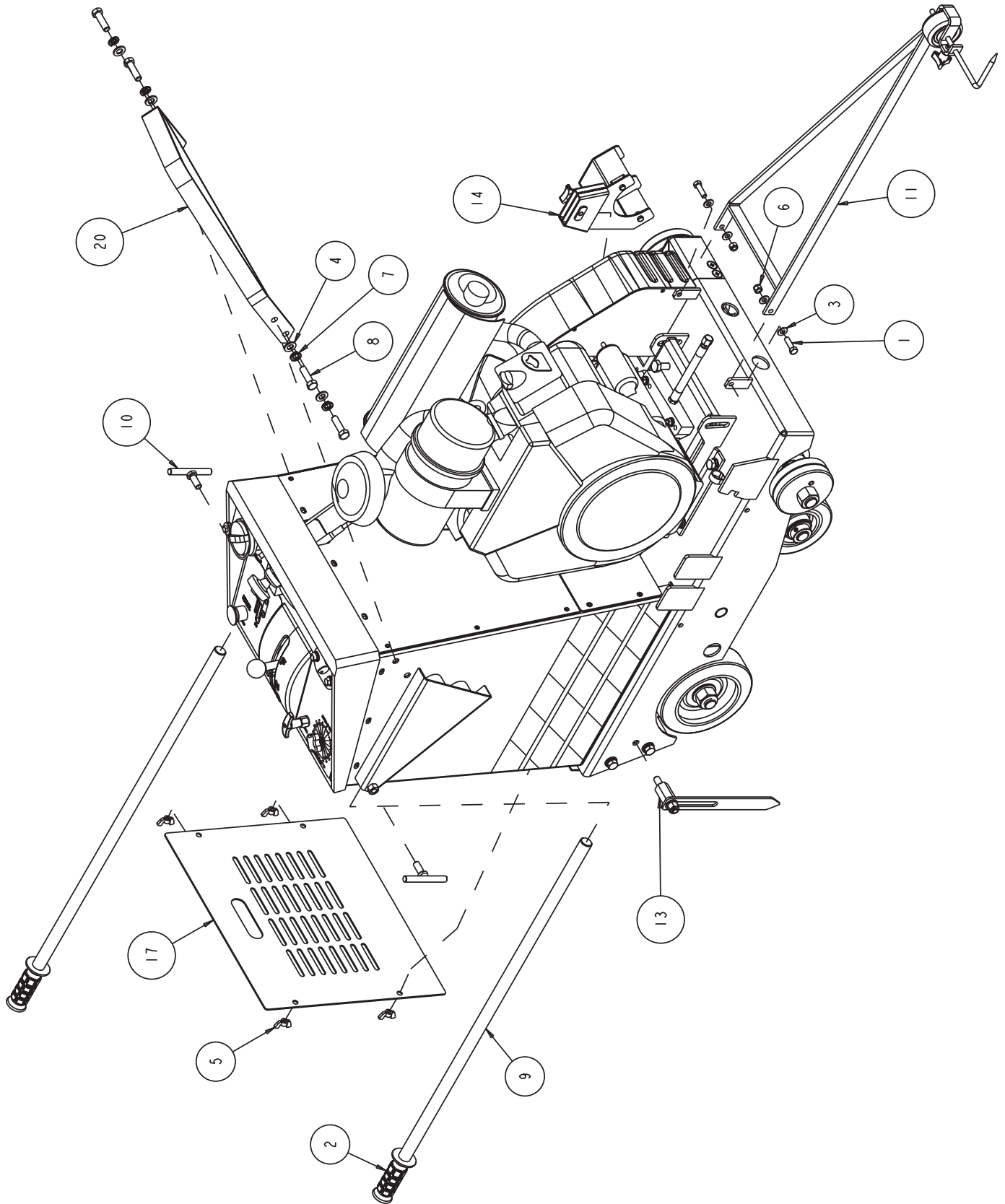


FIGURE 7 - C3500SS CONCRETE SAW, PARENT - P/N 168497

ITEM NO.	DESCRIPTION	PART OR IDENTIFYING NO.	QTY. REQ.
1	SCREW, 3/8 - 16 X 1- 1/4 HEX HEAD CAP	150774	2
2	GRIP, HANDLE, 1.0 ID	150842	2
3	WASHER, FLAT, SAE, 3.8	150923	4
4	WASHER, 1/2 SAE FLAT	150924	4
5	NUT, WING, NYLK, 5/16 -18	151746	4
6	NUT, HEX, NYLK, 3/8 - 16	152505	2
7	WASHER, 1/2 SPLIT LOCK	153524	4
8	SCREW, 1/2 - 13 X 1 - 3/4 HEX HEAD CAP	153853	4
9	HANDLEBAR	161158	2
10	KNOB, 1/2 - 13 T-HANDLE	162635	2
11	ASSY, POINTER	162732-NRT	1
12	ASSY, CONTROL PANEL, 35SS	162739-NRT	1
13	ASSY, REAR POINTER	163824	1
14	ASSY, SHAFT GUARD	166056	2
15	PANEL. TOWER R/H	166351-NRT	1
16	PANEL. TOWER L/H	166352-NRT	1
17	PANEL, TOWER LOWER BACK	166354	1
18	ASSY, FUEL TANK, GASOLINE	166357-NRT	1
19	CASING, BELT GUARD (COMP)	166362-NRT	1
20	BAIL, LIFTING	169089	1

FIGURE 8 - PARTS LIST: ASSY, 20" BLADE GUARD - P/N 168279-20

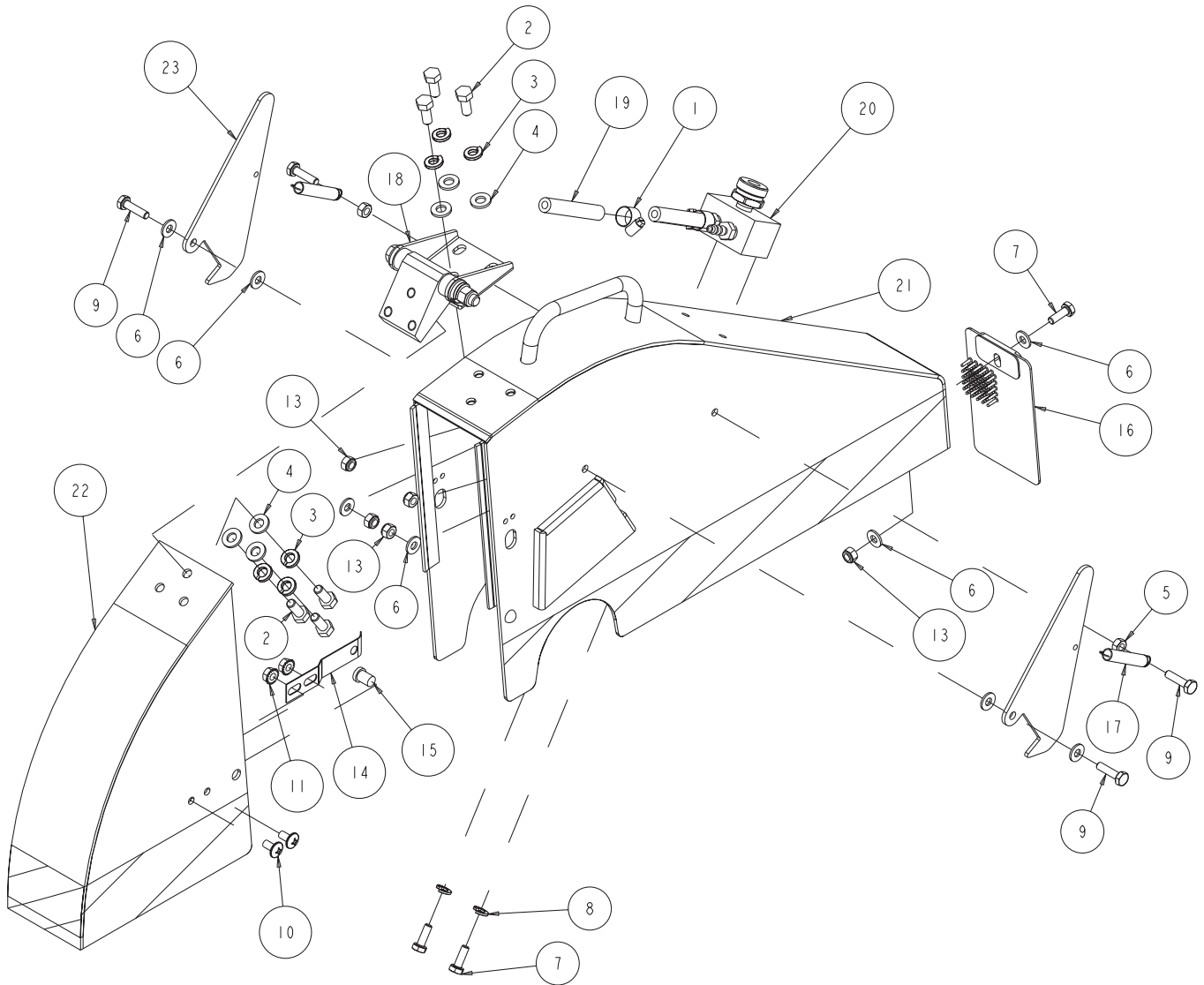


FIGURE 8 - PARTS LIST: ASSY, 20" BLADE GUARD - P/N 168279-20

ITEM NO.	DESCRIPTION	PART OR IDENTIFYING NO.	QTY. REQ.
1	CLAMP, 5/8 HOSE	151198	4
2	SCREW, 5/16-18 X 3/4 HEX HEAD MACHINE	151369	6
3	WASHER, LOCK, SPLIT, 5/16	151747	6
4	WASHER, FLAT, SAE 5/16	151754	6
5	NUT, 1/4-20 HEX	151893	2
6	WASHER, 1/4 SAE FLAT	151915	8
7	SCREW, HEX HD, 1/4 - 20 X 3/4	152370	3
8	WASHER, 1/4 SPLIT LOCK	152591	3
9	SCREW, HEX HD CAP, 1/4-20 X 1	152676	4
10	SCREW, 1/4-20 X 1/2 TRUSS HEAD	153880	2
11	NUT, HEX W/WSHR, 1/4-20	153941	2
12	TIE, NYLON CABLE, 1/8 X 4, BLACK	158528	4
13	NUT, 1/4-20 NYLOK	159857	5
14	LOCK, BLADE GUARD	159998	1
15	BUTTON, RELEASE	159999	1
16	GUARD, SPLASH	160310-NL	1
17	SPRING, EXTENSION	160875	2
18	ASSY, HINGE	163979	1
19	HOSE, VINYL, 1/4 X 1/2 (24" L)	167620	1
20	ASSY, WATER MANIFOLD, 2T	167624	1
21	GUARD, 20" REAR BLADE	168277-20	1
22	GUARD, 20" FRONT BLADE	168278-20	1
23	LATCH, 20' BLADE GUARD	168528	2

FIGURE 9 - PARTS LIST: ASSY, 26" BLADE GUARD - P/N 168279-26

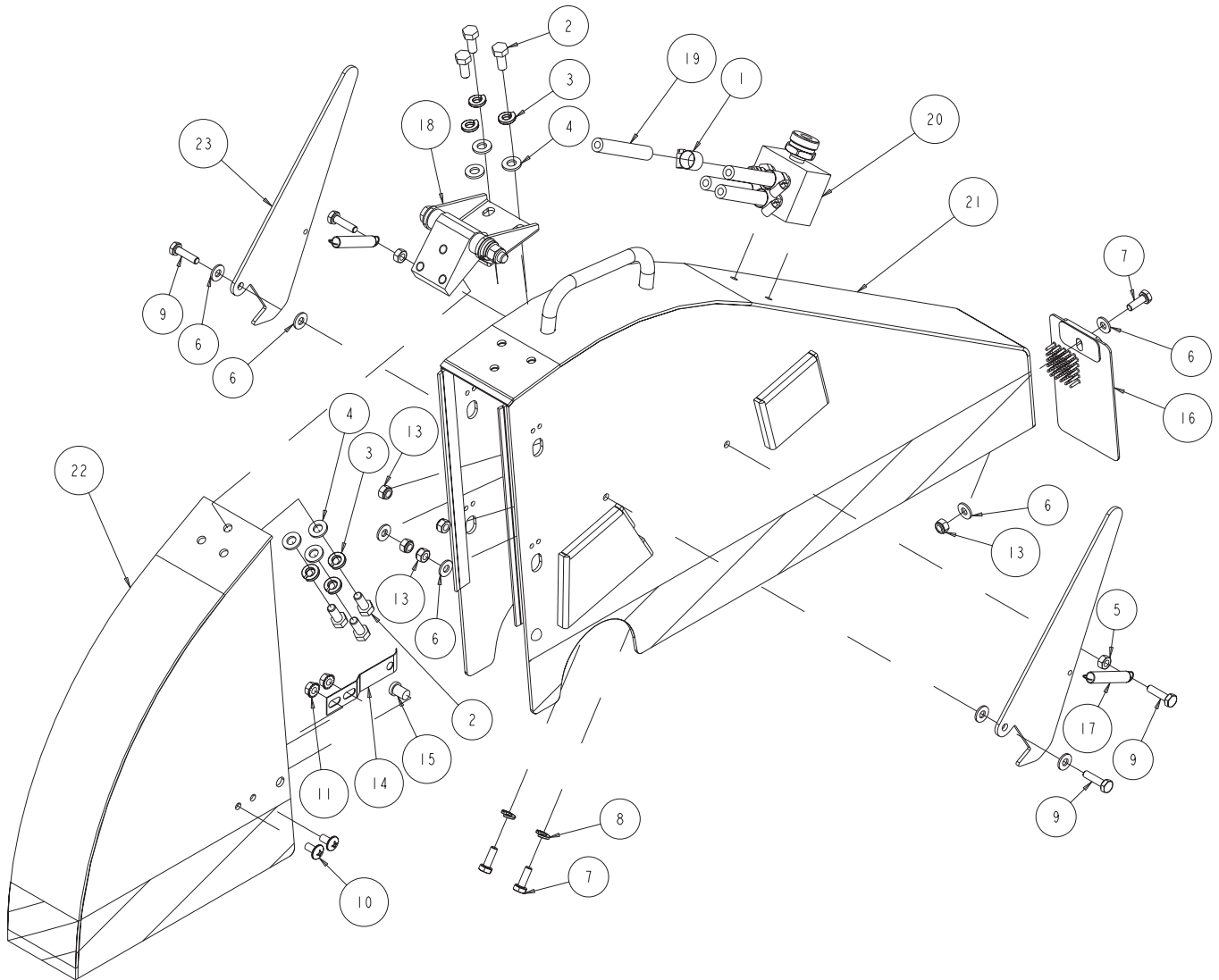


FIGURE 9 - PARTS LIST: ASSY, 26" BLADE GUARD - P/N 168279-26

ITEM NO.	DESCRIPTION	PART OR IDENTIFYING NO.	QTY. REQ.
1	CLAMP, 5/8 HOSE	151198	4
2	SCREW, 5/16-18 X 3/4 HEX HEAD MACHINE	151369	6
3	WASHER, LOCK, SPLIT, 5/16	151747	6
4	WASHER, FLAT, SAE 5/16	151754	6
5	NUT, 1/4-20 HEX	151893	2
6	WASHER, 1/4 SAE FLAT	151915	8
7	SCREW, HEX HD, 1/4 - 20 X 3/4	152370	3
8	WASHER, 1/4 SPLIT LOCK	152591	3
9	SCREW, HEX HD CAP, 1/4-20 X 1	152676	4
10	SCREW, 1/4-20 X 1/2 TRUSS HEAD	153880	2
11	NUT, HEX W/WSHR, 1/4-20	153941	2
12	TIE, NYLON CABLE, 1/8 X 4, BLACK	158528	4
13	NUT, 1/4-20 NYLOK	159857	5
14	LOCK, BLADE GUARD	159998	1
15	BUTTON, RELEASE	159999	1
16	GUARD, SPLASH	160310-NL	1
17	SPRING, EXTENSION	160875	2
18	ASSY, HINGE	163979	1
19	HOSE, VINYL, 1/4 X 1/2 (24" L)	167620	1
20	ASSY, WATER MANIFOLD, 4T	167625	1
21	GUARD, 26" REAR BLADE	168277-26	1
22	GUARD, 26" FRONT BLADE	168278-26	1
23	LATCH, 26' BLADE GUARD	168280	2

FIGURE 10 - PARTS LIST: ASSY, 30" BLADE GUARD - P/N 168279-30

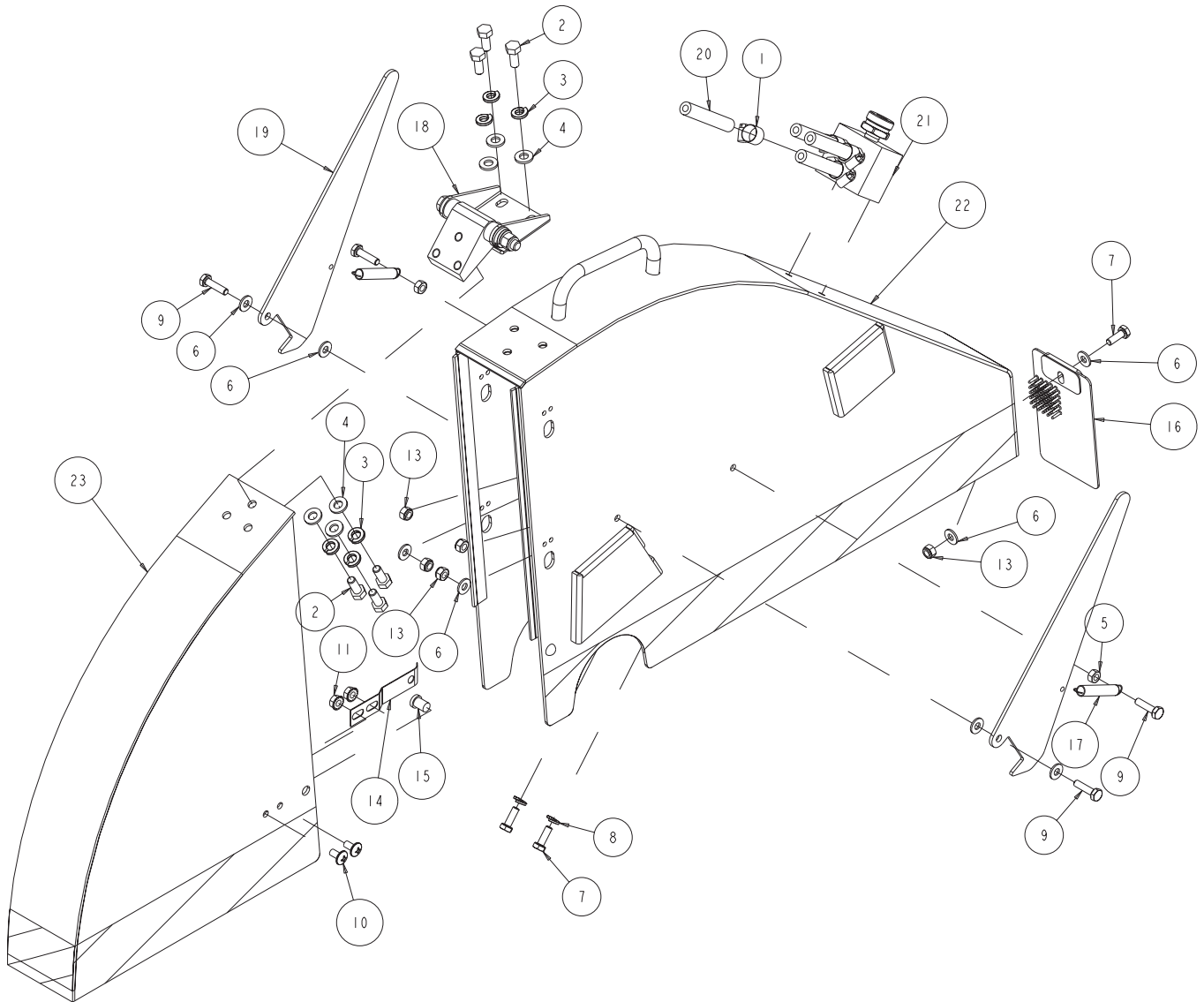


FIGURE 10 - PARTS LIST: ASSY, 30" BLADE GUARD - P/N 168279-30

ITEM NO.	DESCRIPTION	PART OR IDENTIFYING NO.	QTY. REQ.
1	CLAMP, 5/8 HOSE	151198	4
2	SCREW, 5/16-18 X 3/4 HEX HEAD MACHINE	151369	6
3	WASHER, LOCK, SPLIT, 5/16	151747	6
4	WASHER, FLAT, SAE 5/16	151754	6
5	NUT, 1/4-20 HEX	151893	2
6	WASHER, 1/4 SAE FLAT	151915	8
7	SCREW, HEX HD, 1/4 - 20 X 3/4	152370	3
8	WASHER, 1/4 SPLIT LOCK	152591	3
9	SCREW, HEX HD CAP, 1/4-20 X 1	152676	4
10	SCREW, 1/4-20 X 1/2 TRUSS HEAD	153880	2
11	NUT, HEX W/WSHR, 1/4-20	153941	2
12	TIE, NYLON CABLE, 1/8 X 4, BLACK	158528	4
13	NUT, 1/4-20 NYLOK	159857	5
14	LOCK, BLADE GUARD	159998	1
15	BUTTON, RELEASE	159999	1
16	GUARD, SPLASH	160310-NL	1
17	SPRING, EXTENSION	160875	2
18	ASSY, HINGE	163979	1
19	LATCH, 30' BLADE GUARD	168528	2
20	HOSE, VINYL, 1/4 X 1/2 (24" L)	167620	1
21	ASSY, WATER MANIFOLD, 4T	167625	1
22	GUARD, 30" REAR BLADE	168277-30	1
23	GUARD, 30" FRONT BLADE	168278-30	1

FIGURE 11 - PARTS LIST: ASSY, ENGINE - P/N 162737

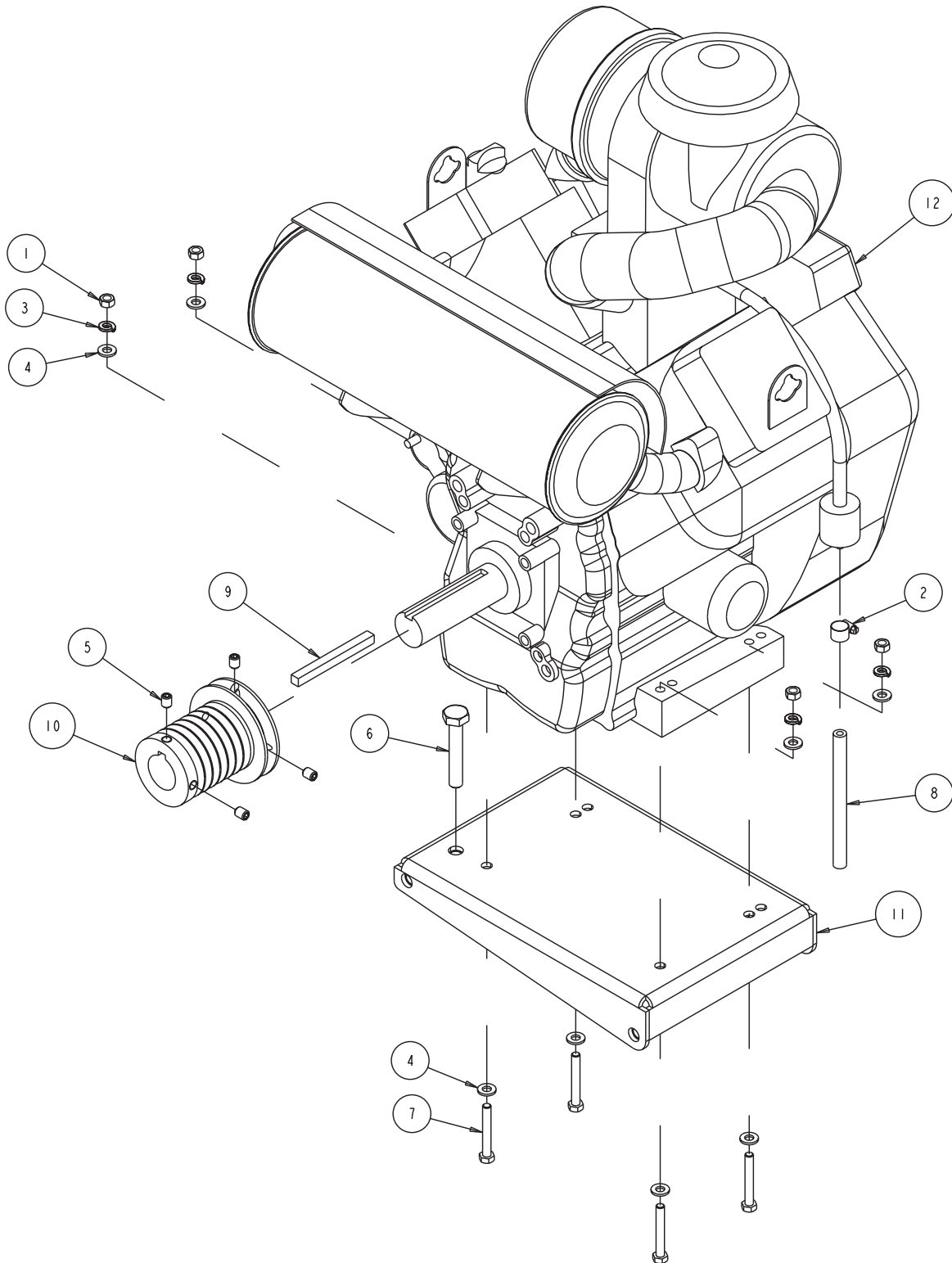
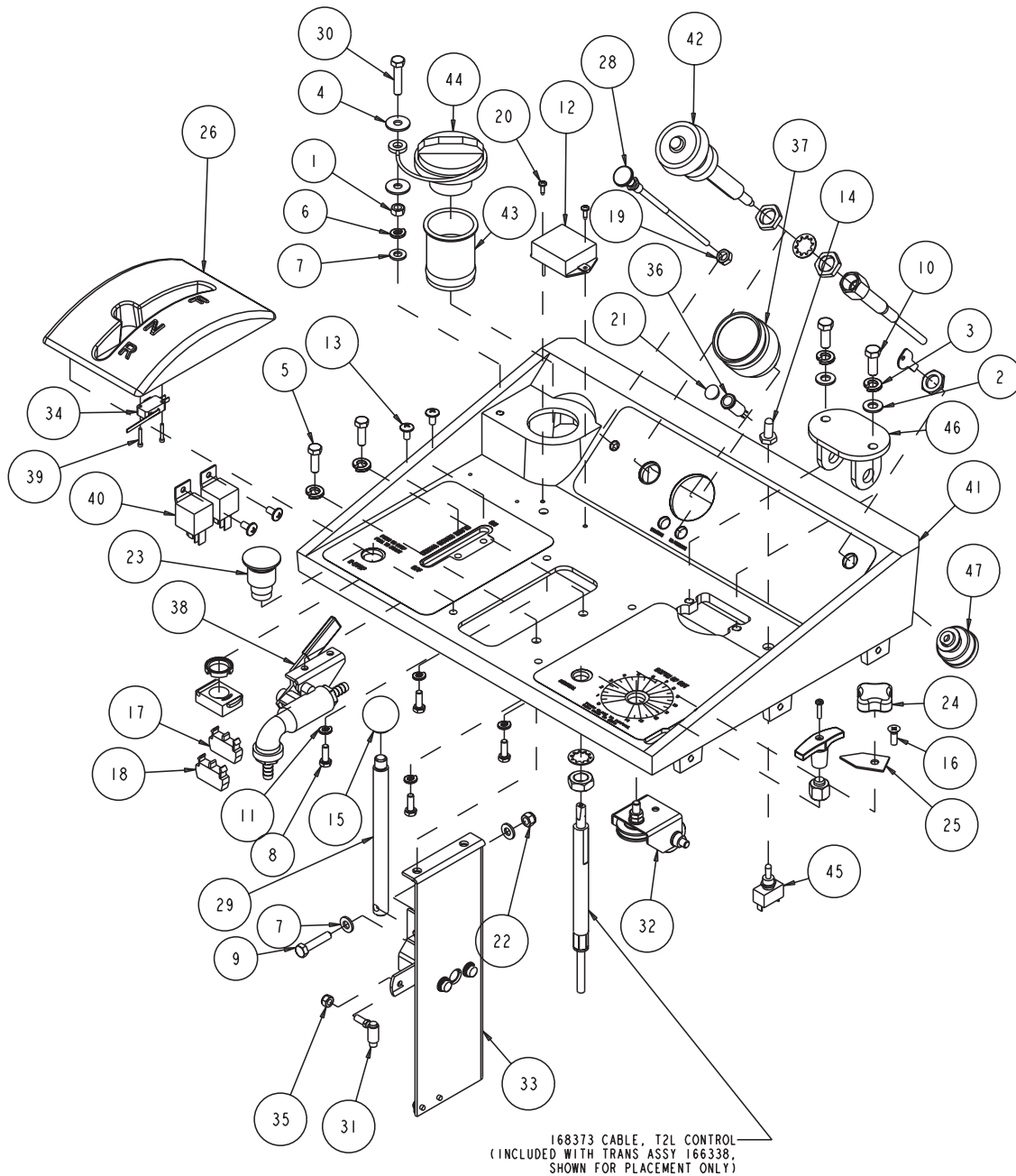


FIGURE 11 - PARTS LIST: ASSY, ENGINE - P/N 162737

ITEM NO.	DESCRIPTION	PART OR IDENTIFYING NO.	QTY. REQ.
1	NUT, HEX, 5/16-18	101196	4
2	CLAMP, 5/8 HOSE	151198	1
3	WASHER, LOCK, SPLIT, 5/16	151747	4
4	WASHER, FLAT, SAE, 5/16	151754	8
5	SCREW, SET, SOC, CUPT, 3/8-16 X 1/2	153710	4
6	BOLT, HEX, TAP, 1/2-13 X 4	153854	1
7	SCREW, HEX, 5/16-18 X 2-1/4	153951	4
8	HOSE, 1/4 FUEL, 24"	154163	1
9	KEY, SQR, 3/8 X 4.0	154853	1
10	PULLEY, 7/3VX/2.8 X 1-7/16 BORE	165694	1
11	MOUNT, ENGINE	166348	1
12	ENGINE, B/S, VANGUARD, 35HP	166349	1

FIGURE 12 - PARTS LIST: ASSY, CONTROL PANEL - P/N 162739-NRT



ITEM NO.	DESCRIPTION	PART OR IDENTIFYING NO.	QTY. REQ.
1	NUT, HEX, 5/16 - 18	101196	1
2	WASHER, 3/8 SAE FLAT	150923	2
3	WASHER, 3/8 SPLIT LOCK	150925	4
4	WASHER, FENDER, 5/16 X 1.0	151053	2
5	SCREW, HEX HD, 5/16 - 18 X 1	151743	2
6	WASHER, LOCK, SPLIT, 5/16	151747	1
7	WASHER, FLAT, SAE, 5/16	151754	3
8	SCREW, HEX HD, 1/4 - 20 X 3/4	152370	4

FIGURE 12 - PARTS LIST: ASSY, CONTROL PANEL - P/N 162739-NRT

ITEM NO.	DESCRIPTION	PART OR IDENTIFYING NO.	QTY. REQ.
9	SCREW, 5/16 - 18 X 1/12/ HEX HEAD MACHINE	152467	1
10	SCREW, HEX HD CAP, 3/8 - 16 X 1	152507	2
11	WASHER, 1/4 SPLIT LOCK	152591	4
12	TACHOMETER/HOURMETER	153877	1
13	SCREW, 1/4 - 20 X 1/2 TRUSS HEAD	153880	4
14	COVER, SWITCH	154301	1
15	KNOB, 1/2 - 20 FEM BALL	154486	1
16	SCREW 1.4 - 20 X 3/4 FLAT HEAD PHILLIPS MACHINE	154657	1
17	CONTACTS, NO	156202	1
18	CONTACTS, NC	156204	1
19	NUT, 3/4-24 HEX JAM	156623	1
20	SCREW, PAN HD SELF TAP 8-32 X 1/2	156632	2
21	PLUG, 1/2 FLUSH HEAD BUTTON	156779	1
22	NUT, 5/16 18 NYLOK HEX	158289	1
23	ASSY, SWITCH BUTTON, GAS	162080	1
24	KNOB, DEPTH INDICATOR (COMP)	162629	1
25	POINTER, DEPTH INDICATOR	162630	1
26	CASTING, FNR LEVER (COMP)	162720	1
27	LABEL SHEET, CONTROL PANEL	162725	1
28	CABLE, CHOKE (COMP)	162734	1
29	SHAFT, FNR CONTROL	162740	1
30	BOLT, 5/16/ - 18 X 1 - 1/2 HEX HEAD TAP	162819	1
31	BALL JOINT, 30 SERIES	162859	1
32	ASSY, DEPTH INDICATOR	162881	1
33	ASSY, CONTROLHEAD, FNR	162882	1
34	SWITCH, 11A/120V SPDT SNAP	162887	1
35	NUT, HEX, NYLK, 1/4 - 28	163936	1
36	LIGHT, 1/2" DIA. PANEL, RED	163938	1
37	GAUGE, FUEL, ANALOG	164151	1
38	ASSY, WATER VALVE	164161	1
39	SCREW, 4 - 40 X 3/4 SOCKET HEAD CAP	164206	2
40	RELAY, 12V, 70A	164969	2
41	CASTING, CONTROL PANEL, COMP	166360-NRT	1
42	CABLE, THROTTLE, 3000V -COMP	166703	1
43	NEX, 2" FUEL FILLER	167219	1
44	CAP, 2" FUEL FILLER	167220	1
45	SWITCH, TOGGLE, (ON) OFF (ON)	167224	1
46	MOUNT, UPPER, ACTUATOR	167992	1
47	SWITCH, KEYED, ON-OFF START	169721	1

FIGURE 13 - PARTS LIST: ASSY, FRAME SUB - P/N 166326

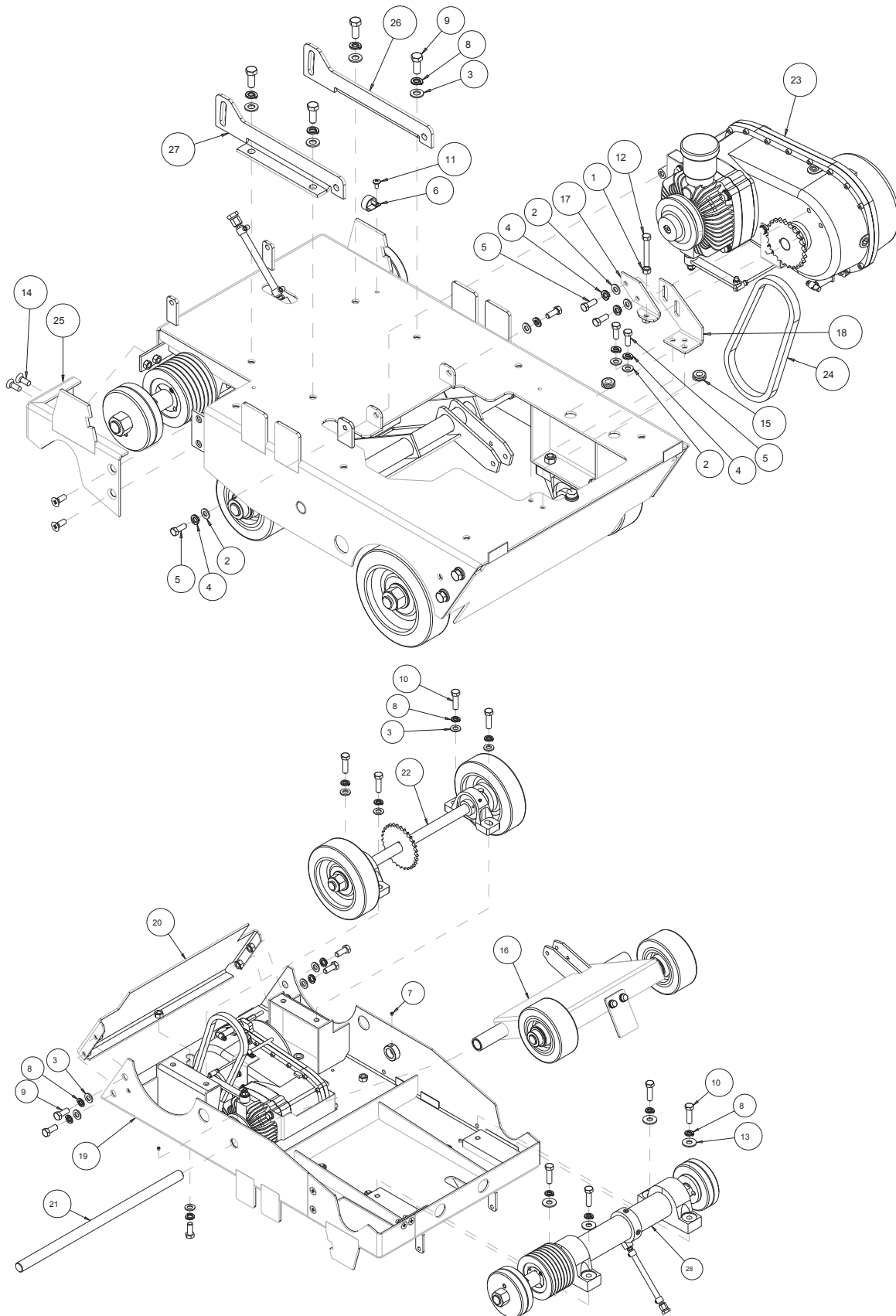
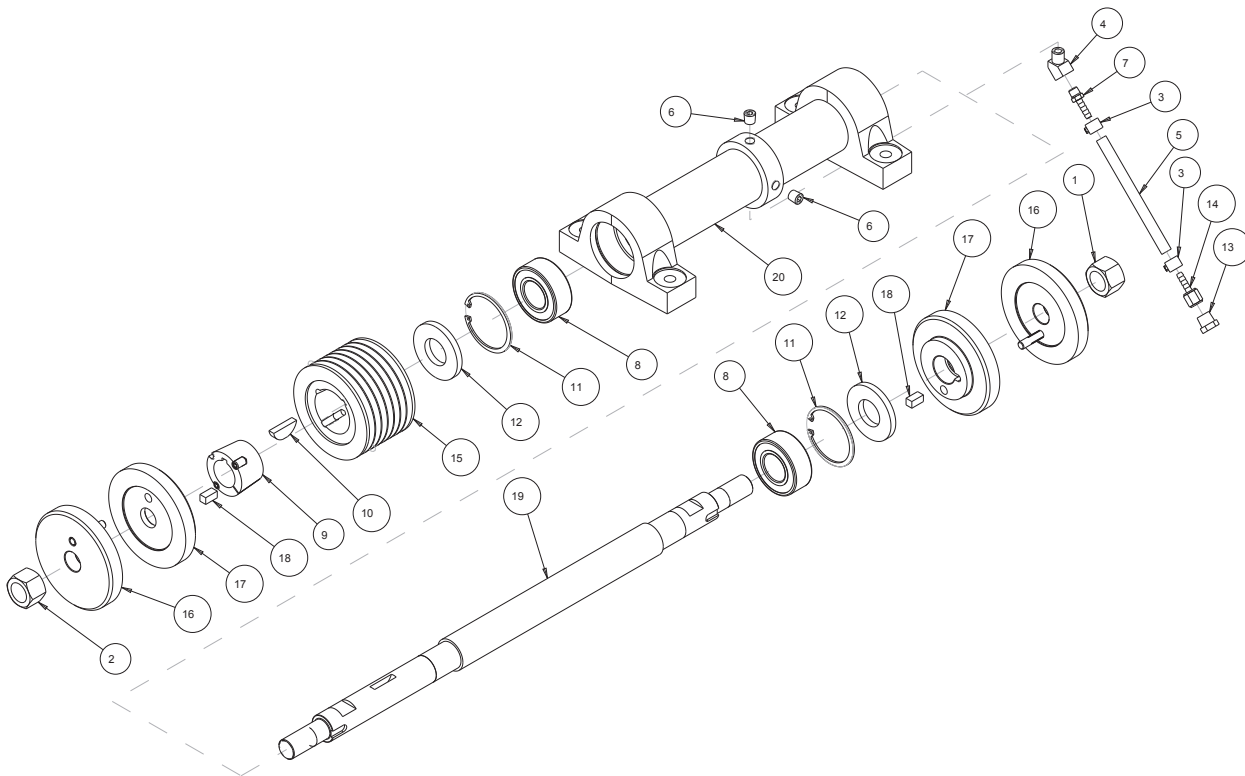


FIGURE 13 - PARTS LIST: ASSY, FRAME SUB - P/N 166326

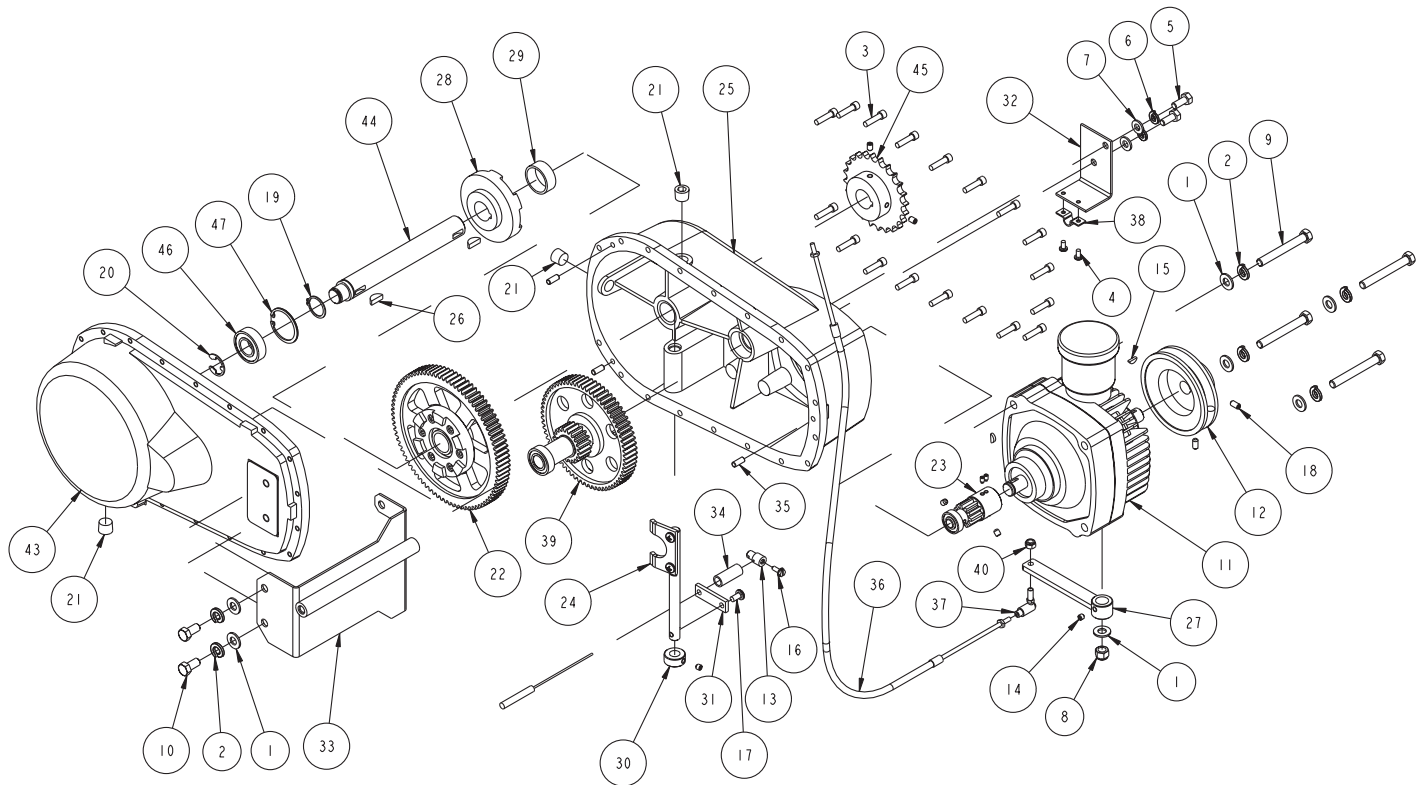
ITEM NO.	DESCRIPTION	PART OR IDENTIFYING NO.	QTY. REQ.
1	NUT, 3/8 - 16 HEX	101188	1
2	WASHER, 3/8 SAE FLAT	150923	6
3	WASHER, 1/2 SPLIT LOCK	150924	13
4	WASHER, LOCK, SPLIT, 3/8	150925	6
5	SCREW, HEX HD CAP, 3/8 - 16 X 1	152507	6
6	CLAMP, 7/8 CUSHION LOOP	152593	1
7	SCREW, 5/16 - 18 X 1/2 SOCKET HEAD STE	152607	2
8	WASHER, 1/2 SPLIT LOCK	153524	17
9	SCREW, 1/2 - 13 X 1 - 1/4 HEX HEAD CAP	153532	9
10	SCREW, 1/2 - 13 X 1 - 1 - 3/4 HEX HEAD CAP	153853	8
11	SCREW, 1/4 - 20 X 1/2 TRUSS HEAD	153880	1
12	BOLT, 3/8 - 16 X 2 - 1/2 HEX HEAD CAP	155589	1
13	WASHER, FLAT, USS, 1/2	157679	4
14	SCREW, 3/8 - 16 X 1 FLATHEAD MACHINE	162067	4
15	GROMMET, 1/2 X 1.0	162493	2
16	ASSY, TRUCK	162742	1
17	BRACKET, TRANS LIFT, ADJ	162743	1
18	BRACKET, TRANS MOUNT FIXED	162744	1
19	FRAME, WELDMENT MAIN	166327	1
20	PLATE, REAR FRAME	166329	1
21	SHAFT, TRUCK PIVOT	166330	1
22	ASSY, AXLE, REAR	166331	1
23	ASSY, TRANSMISSION	166338	1
24	CHAIN, #40 ROLLER, W/LINK	166345	1
25	CORNER, MAIN FRAME	166350	1
26	BRACKET, ENG MOUNT, RH	169474	1
27	BRACKET, ENG MOUNT, LH	169475	1
28	ASSY, BLADE SHAFT	170034	1

FIGURE 14 - PARTS LIST: ASSY, BLADE SHAFT - P/N 170034



ITEM NO.	DESCRIPTION	PART OR IDENTIFYING NO.	QTY. REQ.
1	NUT, 1 -14 RIGHT HAND	138693	1
2	NUT, 1 - 14 LEFT HAND	138701	1
3	CLAMP, HOSE, 5.8	151198	2
4	ELBOW, 1/4 NPT X 45 STREET	153869	1
5	HOSE, 1/4 FUEL, 6"	154163	1
6	PLUG, 1/4NPT HEX SOCKET	154679	2
7	FITTING, 1/8 MNPT X 1/4 BARB	155809	1
8	BEARING, 35 X 72 X 27, D-ROW BALL	160810	2
9	BUSING, TPR-LOCK, 1615 X 1 - 3/8	160811	1
10	KEY, WOODRUFF, 5/16 X 1 - 1/2	160816	1
11	RING, RETAINING, 72MM INTERNAL	161201	2
12	SEAL, OIL, 1 - 3/8 X 72MM	161202	2
13	PLUG, 3/8NPT BRONZE BREATHER	161209	1
14	FITTING, 1/4 FNPT X 1/4 BARB	162601	1
15	PULLEY, 7/3V X 4.75 X 1615TB	165696	1
16	FLANGE, KEYED, INNER, 5"	168598-5	2
17	FLANGE, KEYED, INNER, 5"	168598-5	2
18	KEY, SQR, 3/8 X 3/4	169371	2
19	SHAFT, BLADE, ENCL. 300	170031	1
20	CASTING, SHAFT HOUSING, 3000-COMP	170033	1

FIGURE 15 - PARTS LIST: ASSY, TRANSMISSION - P/N 166338

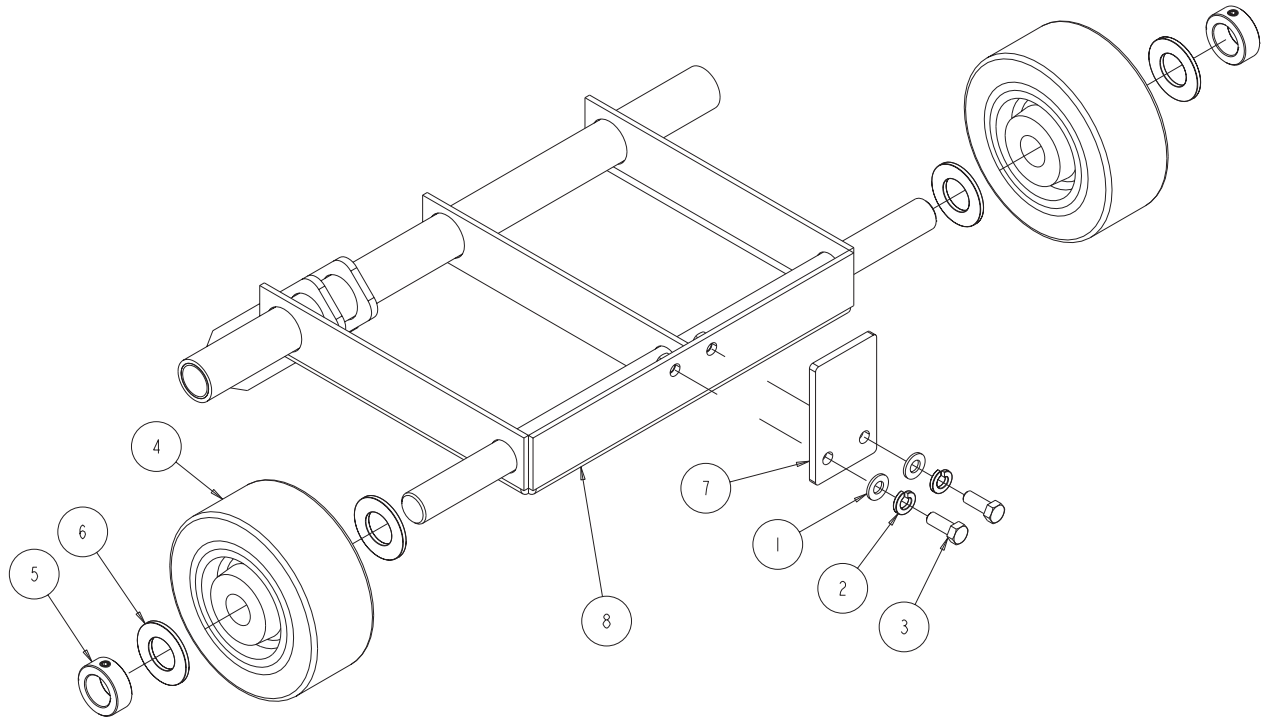


ITEM NO.	DESCRIPTION	PART OR IDENTIFYING NO.	QTY. REQ.
1	WASHER, 3/8 SAE FLAT	150923	7
2	WASHER, 3/8 SPLIT LOCK	150925	6
3	SCREW, SOC HD CAP, 1/4-20 X 1	151049	18
4	SCREW, 10-24 X 3/8 PAN HEAD PHILLIPS MACHINE	151097	2
5	SCREW, 5/16-18 X 3/4 HEX HEAD MACHINE	151369	2
6	WASHER, LOCK, SPLIT, 5/16	151747	2
7	WASHER, FLAT, SAE, 5/16	151754	2
8	NUT, 3/8-16 NYLOK HEX	152505	1
9	SCREW, 3/8-16 X 3 HEX HEAD CAP	153113	4
10	SCREW, HEX, 3/8-16 X 3/4	153527	2

FIGURE 15 - PARTS LIST: ASSY, TRANSMISSION - P/N 166338

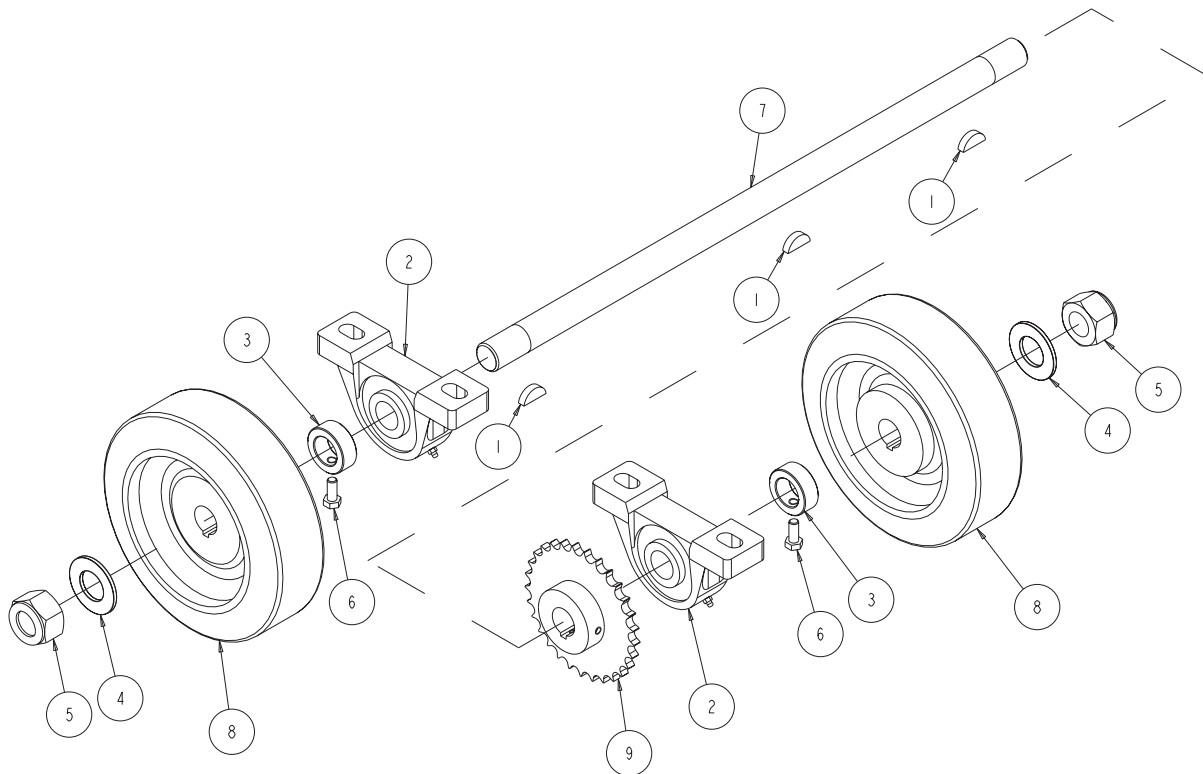
ITEM NO.	DESCRIPTION	PART OR IDENTIFYING NO.	QTY. REQ.
11	PUMP, TRANSMISSION	153783	1
12	PULLEY, A4.0 X 17 MM BORE OFFSET	153826	1
13	PIN, WIRE STOP	153842	1
14	SCREW, SET CNE PT 1/4-20 X 1/4	153864	1
15	KEY, WOODRUFF, 1/8 X 1/2	153865	2
16	SCREW, HEX HD FL 10-24 X 5/16	154172	1
17	SCREW, 1/4-20 X 1/2 PAN HEAD PHILLIPS MACHINE	155452	1
18	SCREW, 1/4-20 X 1/2 SOCKET HEAD SET	155804	2
19	RING, 1" EXTERNAL RETAINING	161140	1
20	RING, .75 E-STYLE RETAINING	161163	1
21	PLUG, 3/8 NPT HEX SOCKET, GALV	161208	3
22	ASSY, ENGAGEMENT GEAR	161233	1
23	ASSY, PUMP PINION	161235	1
24	ASSY, TRANS FORK 1	161237	1
25	ASSY, TRANS CASE 1	161248	1
26	KEY, WOODRUFF, 1/4 X 3/4	161261	2
27	LEVER, TRANS CONTROL	161263	1
28	PLATE, LOCKER, KEYED	161264	1
29	SPRING, 1.5OD X 1.3 COMPRES SION	161279	1
30	COLLAR, 1/2 SHAFT	162633	1
31	LEVER, TRANS FORK	162673	1
32	BRACKET, TRANS FNR	162735	1
33	BRACKET, TRANS PIVOT	162741	1
34	SPRING, .56 OD X 1.38 COMPRESSION	162829	1
35	PIN, 1/4 X 5/8 DOWEL	162849	3
36	CABLE, TRANS CONTROL	162858	1
37	BALL JOINT, 30 SERIES	162859	1
38	CLAMP, 30 SERIES CONDUIT	162860	1
39	ASSY, CHANGE GEAR	162883	1
40	NUT, HEX, NYLK, 1/4-28	163936	1
41	OIL, 80-90 SAE GEAR	164971	1
42	SEALANT, HI-TEMP FORM-A-GASKET	164972	1
43	CASTING, TRANS CASE3 (COMP)	166340	1
44	SHAFT, AXLE, #3	166341	1
45	SPROCKET, 40BS24 X 1.0 BORE	166342	1
46	BEARING, BALL, 20 X 42 X 12 MM	166343	1
47	RING, 1-11/16 INTERNAL RETAINING	166344	1
48	CABLE, T2L CONTROL, 33", - COMP	168373	1

FIGURE 16 - PARTS LIST: ASSY, TRUCK - P/N 162742



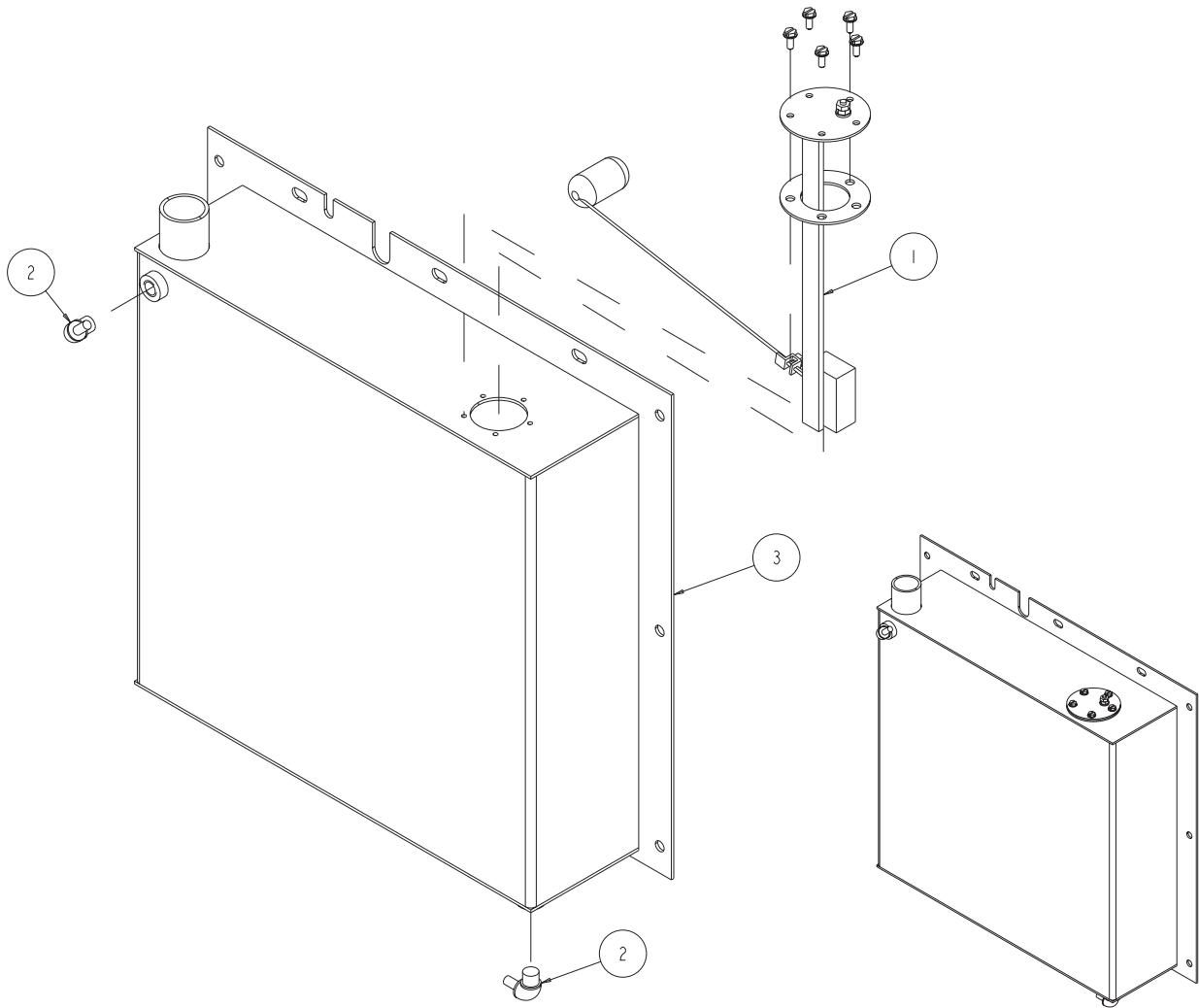
ITEM NO.	DESCRIPTION	PART OR IDENTIFYING NO.	QTY. REQ.
1	WASHER, 3/8 SAE FLAT	150923	2
2	WASHER, 3/8 SPLIT LOCK	150925	2
3	SCREW, HEX HD CAP, 3/8-16 X 1	152507	2
4	WHEEL, 6 X 2-1/2 X 1	160848	2
5	COLLAR, 1.0 SHAFT	160849	2
6	WASHER, 1 SAE FLAT	160851	4
7	STOP, TRUCK	162736	1
8	TRUCK	166328	1

FIGURE 17 - PARTS LIST: ASSY, AXLE, REAR - P/N 166331



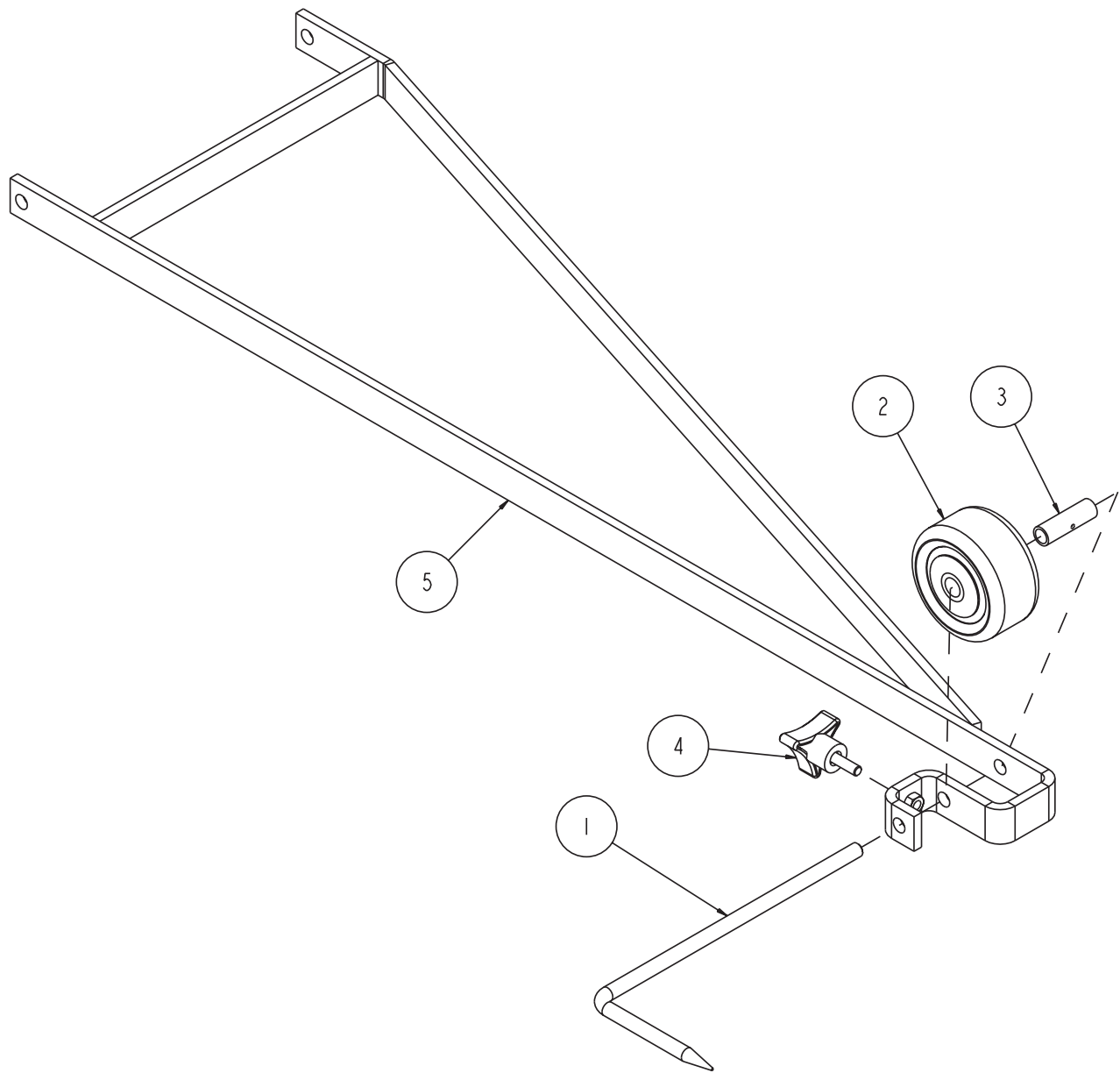
ITEM NO.	DESCRIPTION	PART OR IDENTIFYING NO.	QTY. REQ.
1	KEY, 1/4 X 1 WOODRUFF	150795	3
2	BEARING, 1.0 ID PILLOW BLOCK	157924	2
3	COLLAR, 1" SHAFT	160849	2
4	WASHER, 1 SAE FLAT	160851	2
5	NUT, 1-8 NYLOK HEX	163235	2
6	SCREW, 5/16-24 X 3/4 HEX HEAD MACHINE	165617	2
7	SHAFT, REAR AXLE	166332	1
8	WHEEL, 8 X 2-1/2 X 1.0 BORE	166333	2
9	SPROCKET, 40BS29 X 1.0 BORE	166334	1

FIGURE 18 - PARTS LIST: ASSY, FUEL TANK, GASOLINE - P/N 166357-NRT



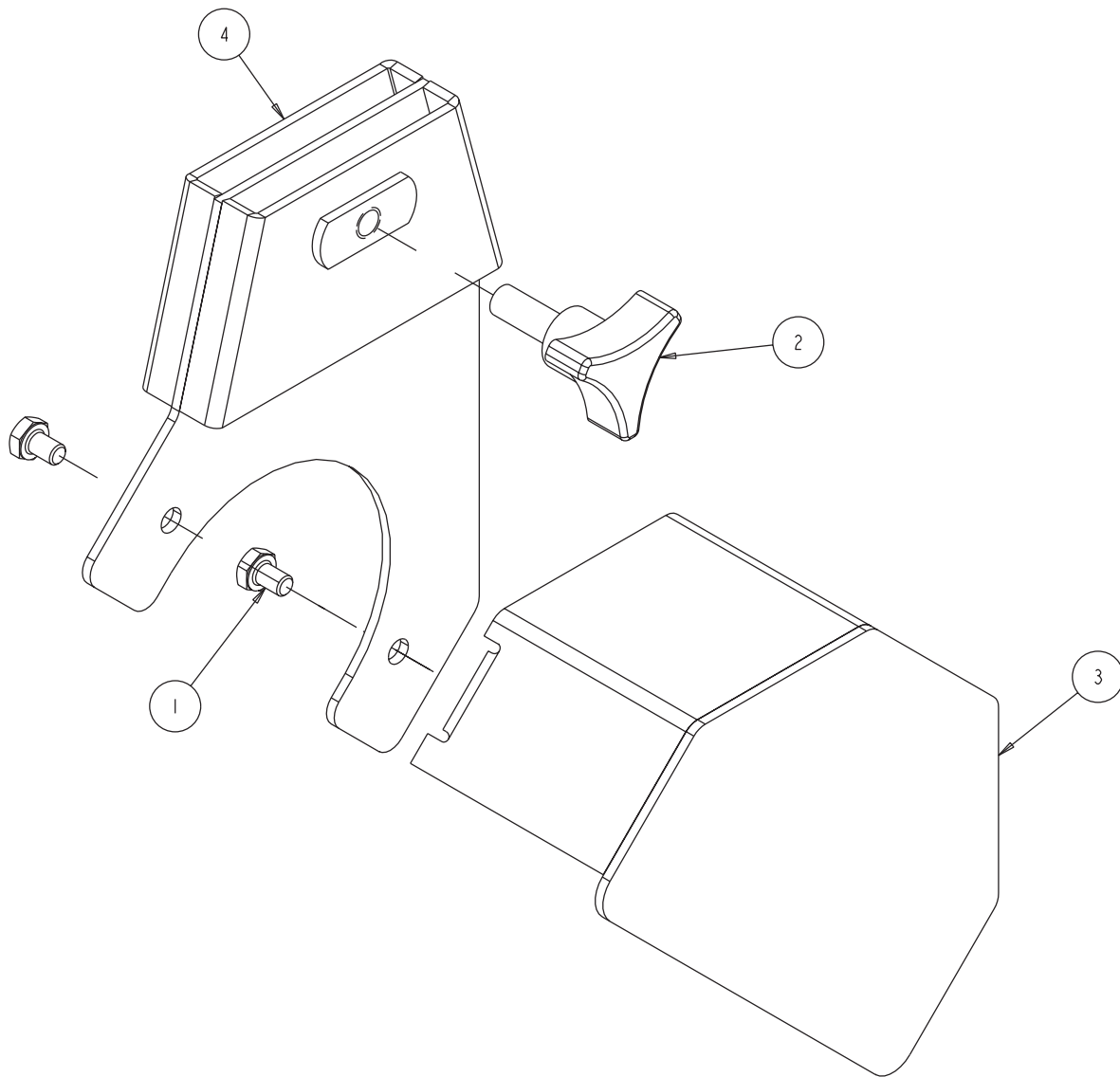
ITEM NO.	DESCRIPTION	PART OR IDENTIFYING NO.	QTY. REQ.
1	SENDER, FUEL	162636	1
2	ELBOW, 1/4 MNPT X 1/4 BARB, 90 DEG	162637	2
3	TANK, FUEL	166358-NRT	1

FIGURE 19 - PARTS LIST: ASSY, POINTER - P/N 162732



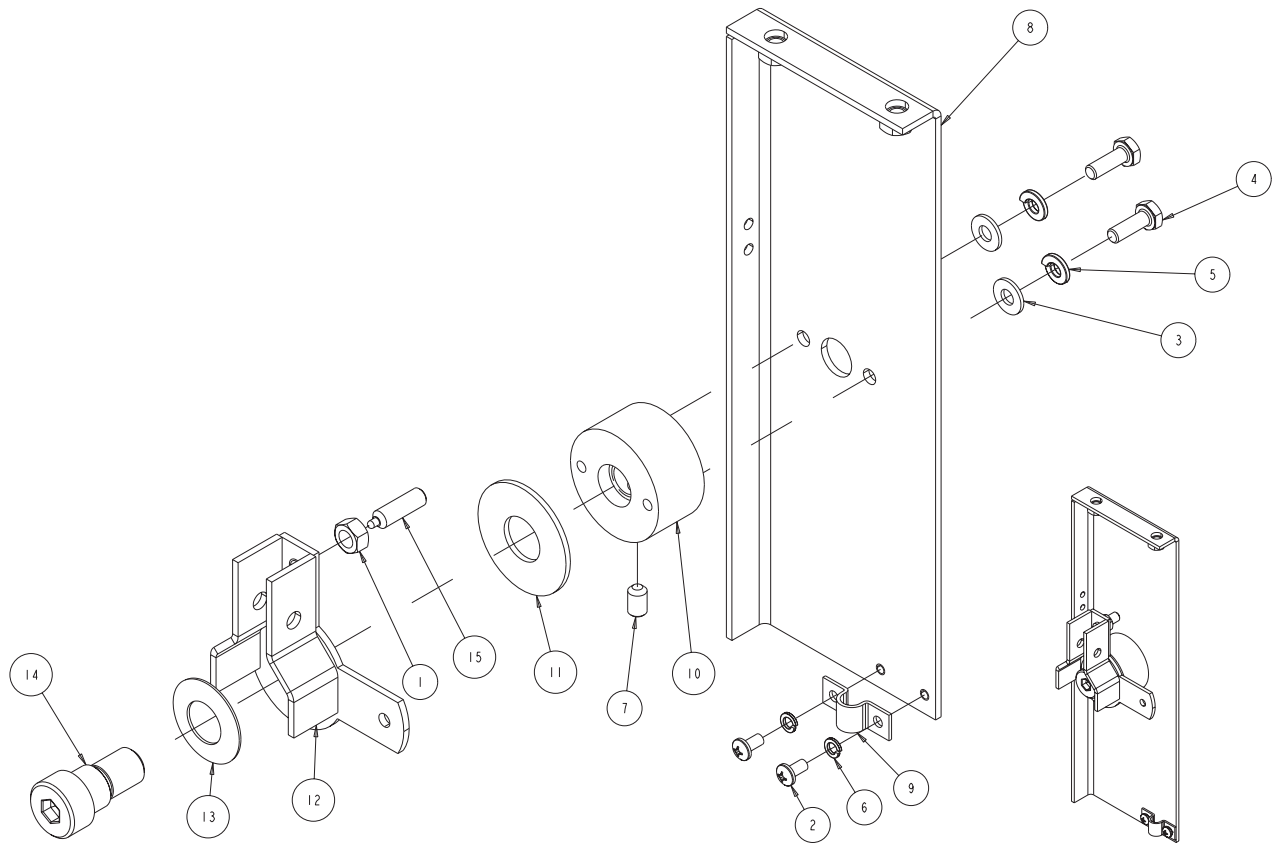
ITEM NO.	DESCRIPTION	PART OR IDENTIFYING NO.	QTY. REQ.
1	POINTER	155057	1
2	WHEEL, POINTER, 3"	155066	1
3	BUSHING, 3/8ID X 1 - 5/8L	155153	1
4	KNOB, 1/4 - 20 3/4 PRONG, NO LOGO	160482	1
5	ASSY, POINTER	162733	1

FIGURE 20 - PARTS LIST: ASSY, SHAFT GUARD - P/N 166056



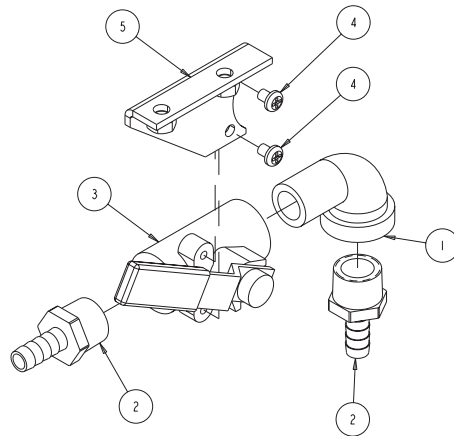
ITEM NO.	DESCRIPTION	PART OR IDENTIFYING NO.	QTY. REQ.
1	SCREW, HEX HD 1/4-20 X 3/8	153526	2
2	KNOB, 3 PRONG 3/8-16 X 1	156175	1
3	GUARD, SHAFT	161109	1
4	BACK PLATE, SHAFT GUARD	166057	1

FIGURE 21 - PARTS LIST: ASSY, CONTROLHEAD, FNR - P/N 162882



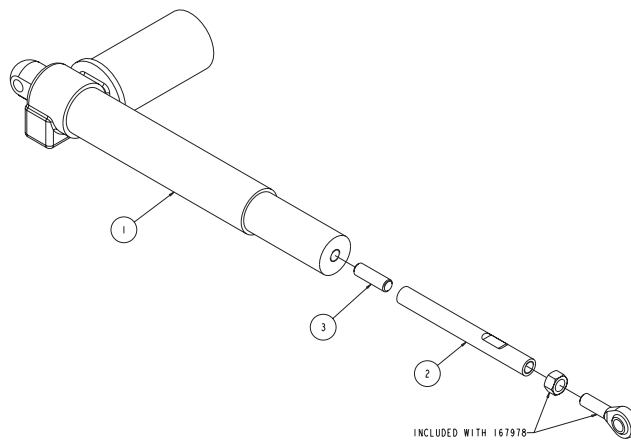
ITEM NO.	DESCRIPTION	PART OR IDENTIFYING NO.	QTY. REQ.
1	NUT, HEX, 5/16 - 18	101196	1
2	SCREW, 10-24 X 38 PAN HEAD PHILLIPS MACHINE	151097	2
3	WASHER, 1/4 SAE FLAT	151915	2
4	SCREW, HEX HD, 1/4 - 20 X 3/4	152370	2
5	WASHER, 1/4 SPLIT LOCK	152591	2
6	WASHER, #10 SPLIT LOCK	153684	2
7	SCREW, 5/16 - 18 X 3/8 SOCKET HEAD SET	157084	1
8	BRACKET, FNR CONTROL	162634	1
9	CLAMP, 30 SERIES CONDUIT	162860	1
10	JOURNAL, FNR CONTROL	162889	1
11	WASHER, 2.0 X .812 X .088 NYLON	162890	1
12	RACKET, FNR PIVOT	162891	1
13	SPRING, 1.50 X .755 X .045, DISK	162892	1
14	SCREW, 3/4 X 1/2 SOCKET HEAD SHOULDER	162893	1
15	PLUNGER, 5/16 - 18 X 1.0 SPRING	162896	1

FIGURE 22 - PARTS LIST: ASSY, WATER VALVE - P/N 164161



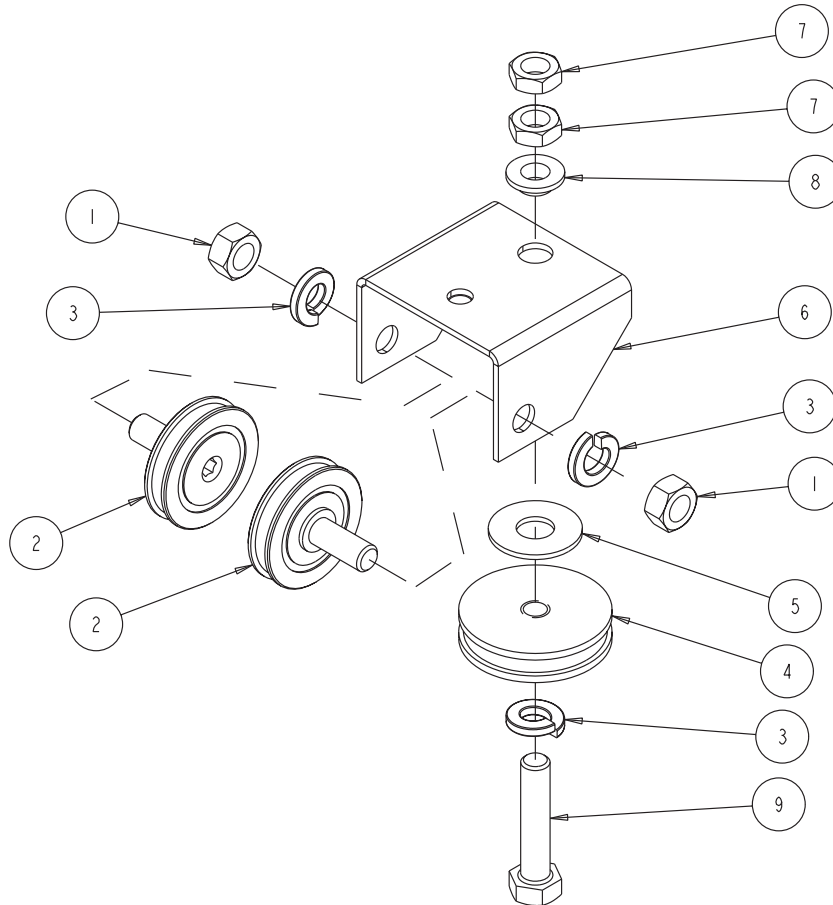
ITEM NO.	DESCRIPTION	PART OR IDENTIFYING NO.	QTY. REQ.
1	ELBOW, 1/2 MNPT 90 STREET, GALV	150844	1
2	FITTING, 1/2 MNPT X 3/8 BARB	153653	2
3	VALVE, BALL 1/2"	153796	1
4	SCREW, PAN HD PHIL 10 - 24 X 5/16	159494	2
5	BRACKET, WATER VALVE	162650	1

FIGURE 23 - PARTS LIST: ASSY, ACTUATOR - P/N 167994



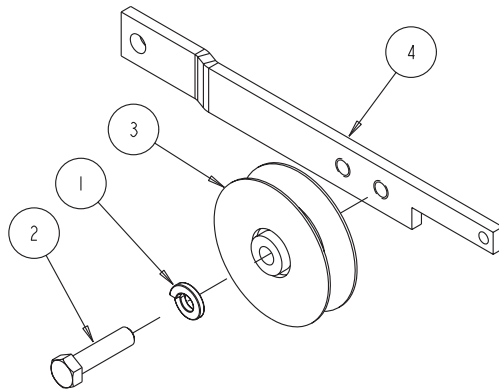
ITEM NO.	DESCRIPTION	PART OR IDENTIFYING NO.	QTY. REQ.
1	ACTUATOR, ELEC, 12V	167978	1
2	LINK, COUPLER	167995	1
3	STUD, 5/8 - 18 X 2	167996	1

FIGURE 24 - PARTS LIST: ASSY, DEPTH INDICATOR - P/N 162881



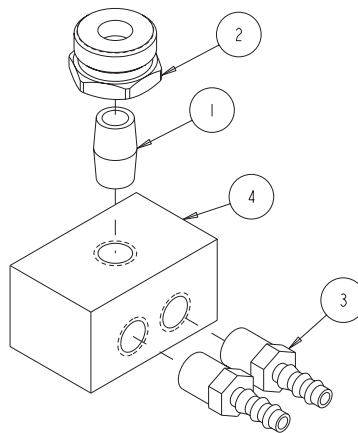
ITEM NO.	DESCRIPTION	PART OR IDENTIFYING NO.	QTY. REQ.
1	NUT, HEX, 5/16 - 18	101196	2
2	WHEEL, CONVEYOR CART	133090	2
3	WASHER, LOCK, SPLIT, 5/16	151747	3
4	PULLEY, Ø 1.38 DEPTH INDICATOR	162624	1
5	WASHER, 1 X 13/32 X 06 PLASTIC	162625	1
6	BRACKET, DEPTH INDICATOR	162626	1
7	NUT, 5/16 FLANGED PLASTIC	162818	1
8	WASHER, 5/16 FLANGED PLASTIC	162818	1
9	BOLT, 5/16 -18 X 1-1/2 HEX HEAD TAP	162819	1

FIGURE 25 - PARTS LIST: ASSY, TRANS. IDLER - P/N 164163



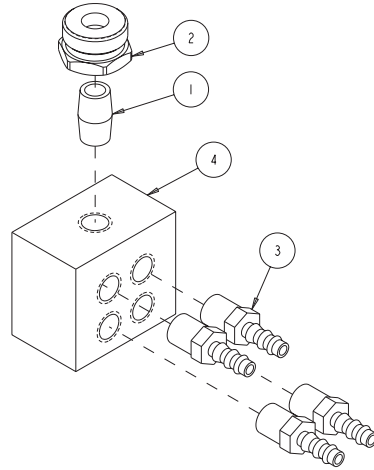
ITEM NO.	DESCRIPTION	PART OR IDENTIFYING NO.	QTY. REQ.
1	WASHER, 3/8 SPLIT LOCK	150925	1
2	SCREW, 3/8 - 16 X 1 - 1/2 HEX HEAD	153528	1
3	PULLEY, IDLER, BV3001	153797	1
4	BRACKET, IDLER PULLEY	154244	1

FIGURE 26 - PARTS LIST: ASSY, WATER MANIFOLD, 2T - P/N 167624



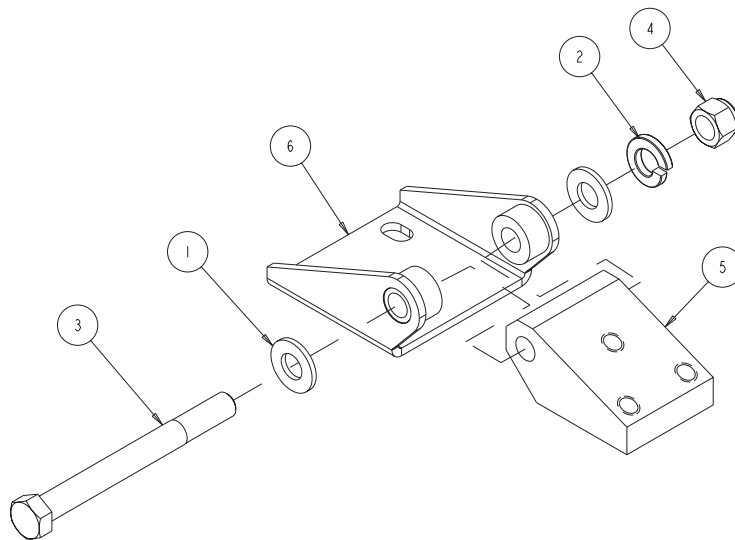
ITEM NO.	DESCRIPTION	PART OR IDENTIFYING NO.	QTY. REQ.
1	NIPPLE, 1/4 NPT X CLOSE, BRASS	159905	1
2	FITTING, 3/4 X 11.5 MNH X 1/4 FNPT	163992	1
3	FITTING, PUSH ON HOSE 1/4 X 1/4 MALE	165183	2
4	MANIFOLD, WATER, 2 TUBE	167622	1

FIGURE 27 - PARTS LIST: ASSY, WATER MANIFOLD, 4T - P/N 167625



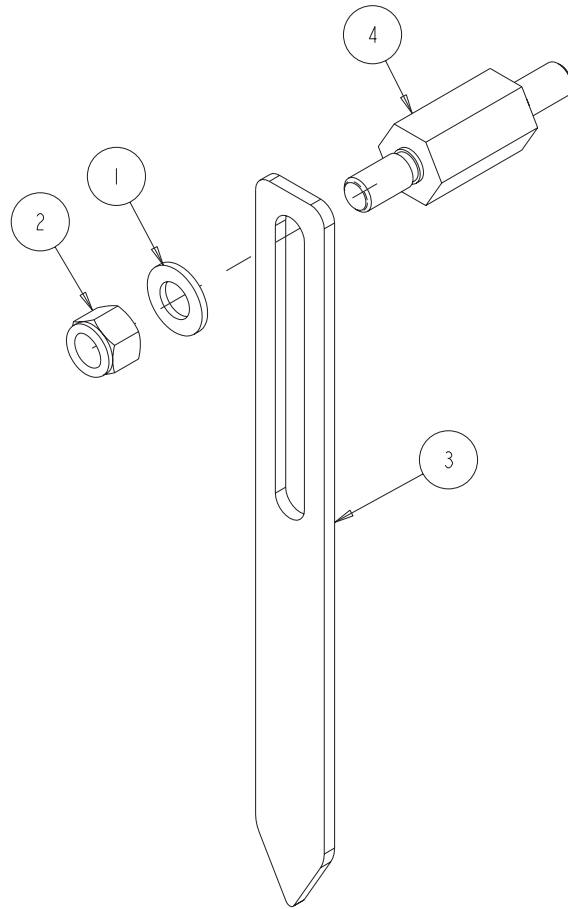
ITEM NO.	DESCRIPTION	PART OR IDENTIFYING NO.	QTY. REQ.
1	NIPPLE, 1/4 NPT X CLOSE, BRASS	159905	1
2	FITTING, 3/4 X 11.5 MNH X 1/4 FNPT	163992	1
3	FITTING, PUSH ON HOSE 1/4 X 1/4 MALE	165183	4
4	MANIFOLD, WATER 4 TUBE	167623	1

FIGURE 28 - PARTS LIST: ASSY, HINGE - P/N 163979



ITEM NO.	DESCRIPTION	PART OR IDENTIFYING NO.	QTY. REQ.
1	WASHER, 3/8 SAE FLAT	150923	2
2	WASHER, 3/8 SPLIT LOCK	150925	1
3	SCREW, 3/8 - 16 X 3 - 3/4 HEX HD CAP	152504	1
4	NUT, 3/8 - 16 NYLOK HEX	152505	1
5	PLATE, FRONT HINGE	163977	1
6	PLATE, REAR HINGE	163978	1

FIGURE 29 - PARTS LIST: ASSY, REAR POINTER - P/N 163824



ITEM NO.	DESCRIPTION	PART OR IDENTIFYING NO.	QTY. REQ.
1	WASHER, 1/2 SAE FLAT	150923	2
2	NUT, 1/2 - 13 NYLOK HEX	155162	1
3	ARM, REAR POINTER	160951	1
4	STANDOFF, REAR PINTER	163825	1

CONTACT

Please contact Saint-Gobain Abrsives, Inc. Customer Service Department with any questions you might have regarding distributors, parts or service.

Telephone: **(254) 918-2310**

Fax: **(254) 918-2312**

Customer Service Hours: **Monday through Friday, 6AM-6PM CST**

Saint-Gobain Abrasives, Inc.

2770 W. Washington St.

Stephenville, TX 76401

WARRANTY

Norton warrants all products manufactured by it against defects in workmanship or materials for a period of one (1) year from the date of shipment to the customer.

The responsibility of Norton under this warranty is limited to replacement or repair of defective parts at Norton's Indianapolis, Indiana Distribution Center, or at a point designated by it, of such part as shall appear to us upon inspection at such point, to have been defective in material or workmanship, with expense for transportation borne by the customer.

In no event shall Norton be liable for consequential or incidental damages arising out of the failure of any product to operate properly.

Integral units such as **gasoline engines, electric motors, batteries, tires, transmissions, etc.**, are excluded from this warranty and are subject to the prime manufacturer's warranty.

This warranty is in lieu of all other warranties, expressed or implied, and all such other warranties are hereby disclaimed.

NORTON

clipper

WARNING

Some dust created by power sanding, sawing, grinding, drilling, and other construction activities contains chemicals known to cause cancer, birth defects or other reproductive harm. Some examples of these chemicals are:

- Lead from lead based paints,
- Crystalline silica from bricks and cement and other masonry products, and
- Arsenic and chromium from chemically-treated lumber.

Your risk from these exposures varies, depending on how often you do this type of work. To reduce your exposure to these chemicals: work in a well ventilated area, and work with approved safety equipment, such as those dust masks that are specially designed to filter out microscopic particles.

Saint-Gobain Abrasives, Inc.
2770 West Washington Street
Stephenville, TX 76401-3798

Phone: 254-918-2310
Fax: 254-918-2312

ALL THE MUSCLE YOU NEED™.

NORTON

SAINT-GOBAIN