

S/N:

Thank you for purchasing a WHEELMAN[®] Mixer from an IMER U.S.A. dealer. Your decision is an intelligent one. No other mixer in the world today offers the features and value of the WHEELMAN[®] Mixer.

- * After the initial set-up the **WHEELMAN[®]** Mixer can be knocked down or reassembled in just minutes.
- * Direct drive drum rotation, efficient and safe.
- * Portable, the large 14" wheels make moving the **WHEELMAN[®]** a breeze around the home or job site.
- * Compact, the clever design allows the **WHEELMAN[®]** to fit into the trunk or hatchback area of almost all cars and trucks.
- * Finish, the high quality of paint and construction components ensure a piece of equipment that you will be proud to own for years.

At IMER U.S.A. we continually search for ways to better serve our customers. Should you have an idea or thought to share with us regarding this Product we would appreciate hearing from you. Our motto is "Tools and Services for the 21st Century". We look forward to delivering the goods.

Thank you again for your purchase,



*Mace T. Coleman, Jr.
President, IMER U.S.A. Inc.*

*221 Westhampton Place
Capitol Heights, MD
20743
Ph / 800.275.5463*

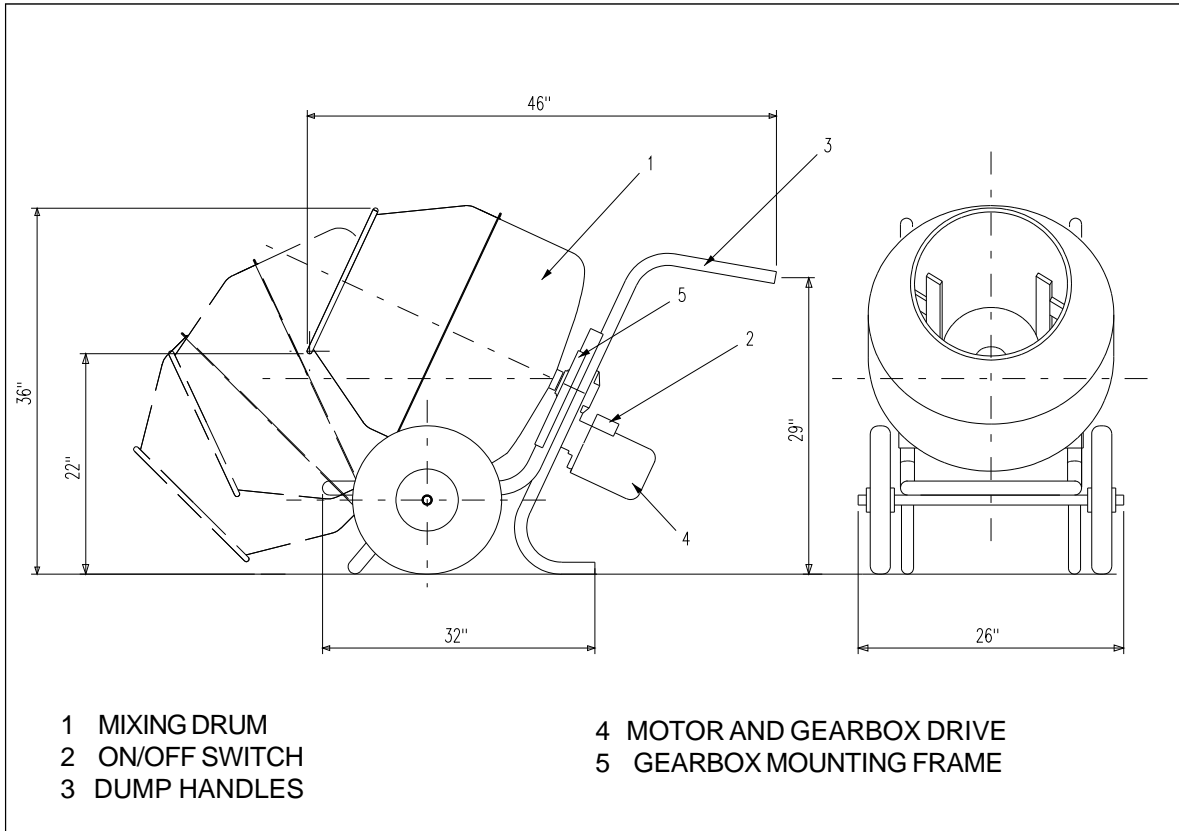


TABLE OF CONTENTS

TECHNICAL DATA	page 4
NOISE LEVEL	page 5
WIRING DIAGRAM	page 5
SAFETY NOTES	page 6
ASSEMBLY OF THE WHEELMAN WITH ELECTRIC MOTOR	page 7
MOVING THE WHEELMAN.....	page 9
OPERATING THE WHEELMAN	page10
MAINTENANCE AND CLEANING.....	page10
ORDERING SPARE PARTS	page10
SPARE PARTS DIAGRAMS	page11
ACCESSORY WORK STAND.....	page15
WARRANTY	page16



TECHNICAL DATA



Drum capacity	5 cubic feet
Batch Output	2.5 cubic feet, 225 lbs. *
Drum Diameter	24 inches
Wheels	14.5" x 2.5"
Single Phase electric motor	0.5 H.P.
Hertz	60
Voltage	110 / 115 V
Motor R.P.M.	3350
Nominal current	6.2 Amp
Operating dimensions	46" x 26" x36"
Storage dimensions	29" x 26" x 28"
Weight : electric model	105 pounds

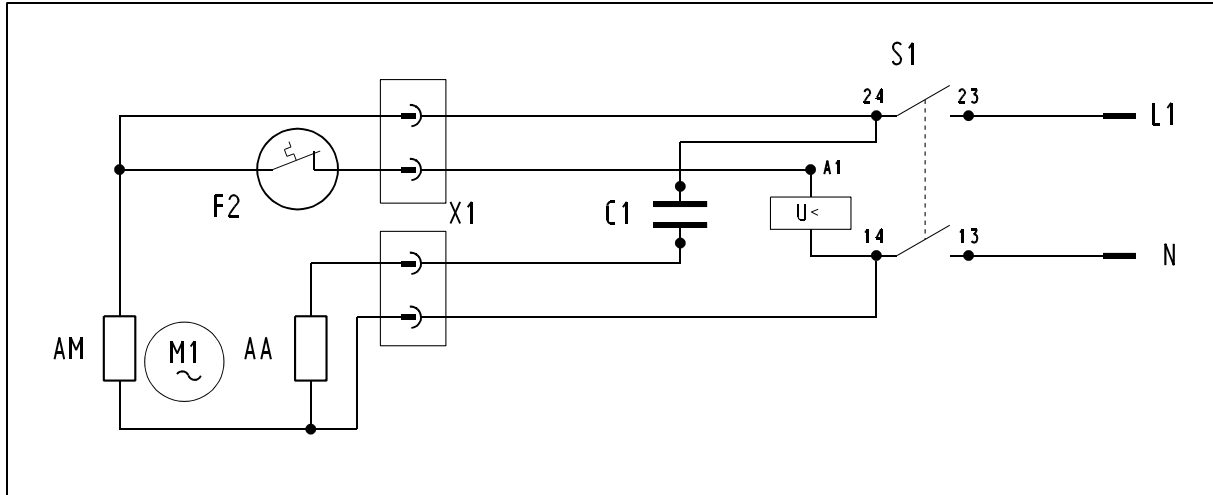
* Capacities based on usable volume.

Product development and improvement is an ongoing process, therefore, specifications may change without notice.



NOISE LEVEL


The *WHEELMAN*® with electric motor has a noise level of 65 decibels. It's very quiet, operate it anywhere.


WIRING DIAGRAM



N	Neutral wire
L1	Phase wire
S1	Stop and start button
F2	Thermal protection for electric motor
C1	Capacitor
M1	Single phase motor
AM	Motor winding
AA	Motor winding

 **The concrete mixer *WHEELMAN*® is equipped with a safety device to prevent accidental electrical contacts, with class II Double Insulation type of all live components (). For this reason it is not required to be grounded.**

 **WARNING.** Any type of electrical repair or trouble-shooting should only be performed by an IMER dealer or a properly qualified electrical repair shop. For assistance with any electrical difficulty, IMER U.S.A. is always directly available @ 800.275.5463.

 **CAUTION:** when carrying out repairs, class II Double Insulation, protection will only be maintained if the original insulating materials are used and provided that the tolerances and insulating materials remain unmodified.

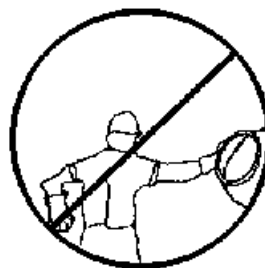
SAFETY NOTES

IMPORTANT ! READ THIS SECTION CAREFULLY !

Your **WHEELMAN®** mixer has been designed with safety in mind. However, as with any type of machinery, some basic **DO'S** and **DONT'S** apply:

DO NOT

Place your hand or hands in or around any part of the drum while it is operating !



DO NOT

Place any tools or instruments in or around the drum while it is operating !



DO NOT

Operate the mixer on a surface that is not flat or is uneven !

*Always operate the **WHEELMAN®** on a level surface, if placed on an incline the machine will fall over.*

DO NOT

Clean, assemble or work on the unit while it is plugged in !

DO NOT

Allow water to contact the motor or electrical connections at any time !

DO NOT

Operate the unit in or around water puddles.

DO NOT

Leave the machine unattended !

DO NOT

Allow other persons around the mixer while it is operating ! Keep children away from your work area !

DO NOT

Operate the mixer while under the influence of alcohol or drugs !



DO NOT

Do not start and stop the mixer with material in the drum, this will damage the motor and is not the best way to mix.

Always have the drum rotating when filling or discharging the mixer, this produces the highest quality concrete.

SAFETY NOTES

DO

Read all the instructions before operating the mixer.

DO

Use caution when assembling and transporting the mixer. Tie it down good in your vehicle.

DO

Keep the mixer clean and free of debris and mix build-up. After using, fill the drum with water and run the WHEELMAN® for 10 minutes or so, most of the cement will break loose from the drum.

DO

Keep all the moving parts lightly lubricated, WD-40 may be sprayed all around the machine.

DO

Periodically inspect your mixer for abnormal wear or damage. If something does not seem right call your dealer or IMER USA direct @ 800.275.5463.

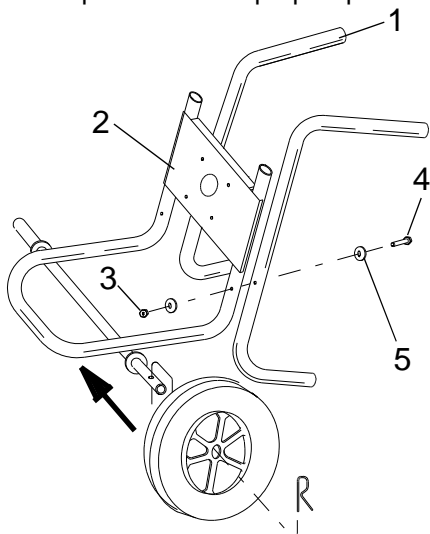
DO

Wear the appropriate safety gear; hard hat, gloves, goggles, ear protection and wear snug clothing around the mixer. Loose clothing can cause injury should it become entangled with the mixer.

ASSEMBLY OF THE WHEELMAN® WITH ELECTRIC MOTOR - Follow drawings 1 thru 4 -

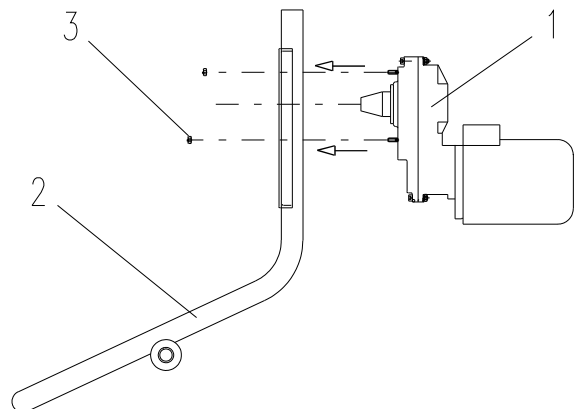
1

Attach the motor gearbox frame #2, to the dump handles #1 using the nuts, bolts, and washers provided. Slide the wheels onto the axle and keep them in place with the split pins provided.



2

Slide the motor gearbox assembly #1 onto the motor gearbox frame #2 and anchor it in place by using the 4 qty. 6mm locknuts provided #3.



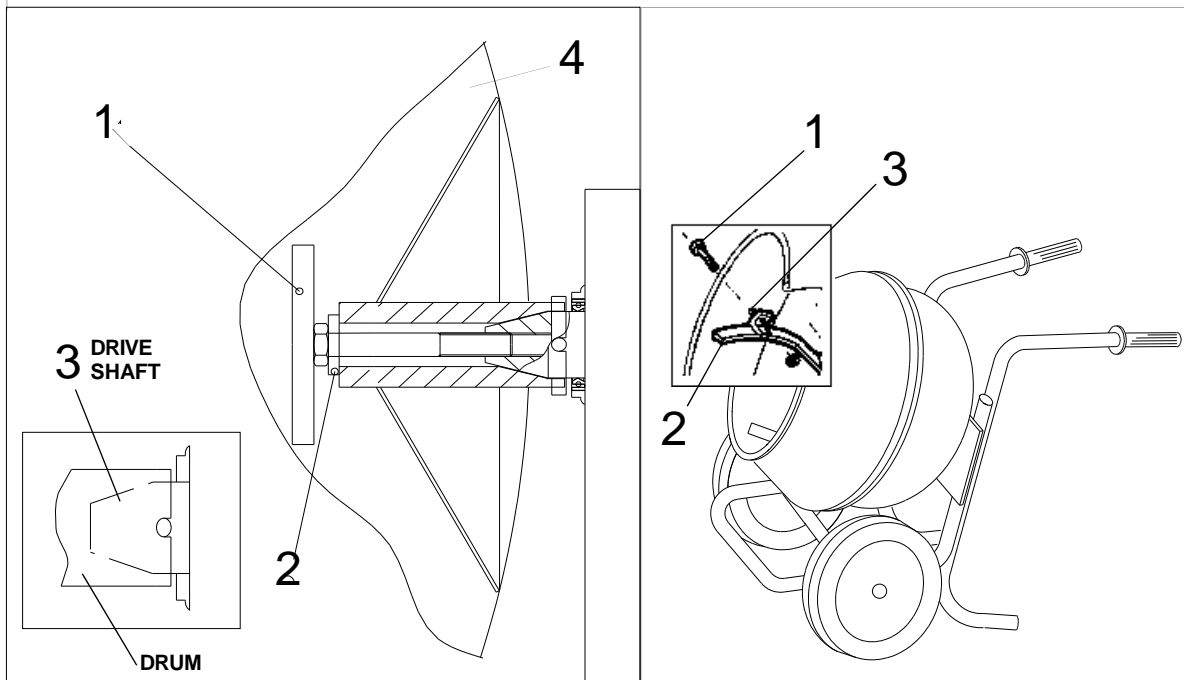
ASSEMBLY

3

Next slide the drum onto the driveshaft #3, make sure the notched area on the drum #4 lines up with the shear pin. Then anchor the drum in place with the T-Bolt #1 and T-Bolt #2 washer. Push the drum up onto the driveshaft while at the same time tightening the T-Bolt by hand. Once the T-Bolt is tightened as much as possible by hand, give it a whack or two with a hammer-no more, no less.

4

Anchor the mixing paddles #2, with the large flat head screws #1 and nuts #3 provided. It is best to place the flat head of the screw on the outside of the drum. This keeps the external contour of the drum smoother and less likely to catch or pinch objects as the drum is rotating.





MOVING THE WHEELMAN®



WARNING

Always disconnect the power source before rolling the mixer.

To roll the machine, grasp the two dump handles #7 and gently lift upwards.



Lift gently, for if you lift the machine up too quickly and too far, it will begin to discharge the loaded material.

When moving the mixer around, whether loaded or unloaded, clear a pathway so that the WHEELMAN® will be under control at all times.

Remember - the batch capacity of the WHEELMAN® is 225 lbs, do not attempt to roll it fully loaded across uneven surfaces or down steep slopes. This could lead to your losing control of the machine and concrete going everywhere.

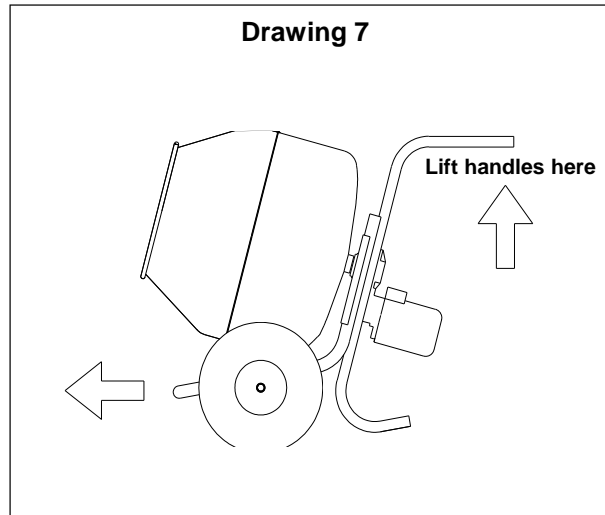


When in doubt, roll the machine empty to where you want to pour the concrete, and mix in that spot.

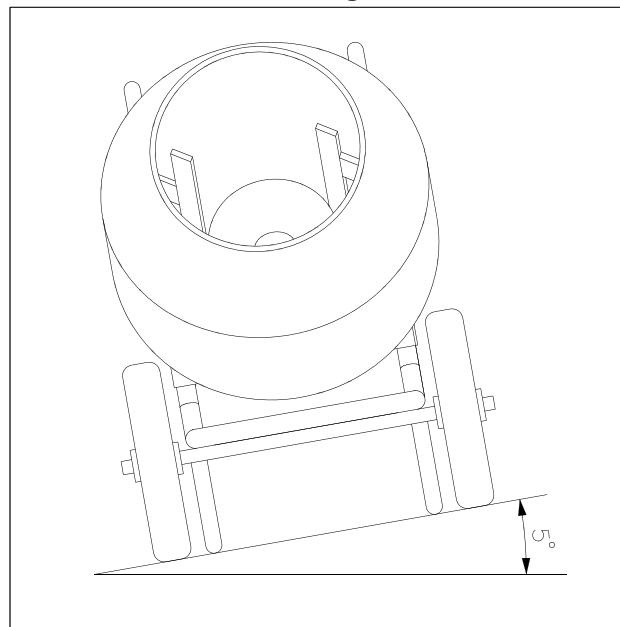
CAUTION - Set Up Properly !

Clear a suitable work area around the mixer. Position the WHEELMAN® on level ground. DO NOT EXCEED MORE THAN 5° of ground slope or the mixer can fall over and cause bodily harm and a big mess.

Drawing 7



Drawing 8





OPERATION

WHEELMAN® WITH ELECTRIC MOTOR

- 1) Use a 2 prong, grounded, 110/115 Volt power connection for safe operation. The line should be at least 12 gauge.
- 2) To mix concrete, add water, concrete, and aggregate while the drum is rotating.
- 3) Discharge the mixed concrete by lifting up the dump handle Drawings #7 page 9 while the drum is rotating.



NOTE: When tilting the drum to discharge the concrete, do so slowly. It is important to perform the discharge smoothly, this keeps the machine balanced and upright.

- 4) The ON/OFF switch on the motor of the WHEELMAN® mixer provides thermal protection to the motor in the event of overheating. Should your motor shut off automatically, turn off the unit and unplug it for 15 minutes. This allows the motor to cool. After the cooling period, plug in the motor and press the start switch. If the motor does not restart and continue to run, contact your local IMER products distributor, or call IMER direct @ 800.275.5463.

MAINTENANCE AND CLEANING

The WHEELMAN® Mixer requires very low maintenance. However, a few basic maintenance procedures should be followed.



NOTE: Always unplug the mixer from its power source before cleaning or maintenance functions are performed.

- 1) Clean the mixer after each use and do not allow any concrete to build up on any portion of the mixer.
- 2) Essentially the gearbox is sealed for life. The quality of the gears and the lubricant are such that changing the oil is not necessary. Should you want to change the oil, see your dealer or call IMER U.S.A. @ 800.275.5463.
- 3) Keep all moving parts lightly lubricated with WD-40.
- 4) Keep the electric motor cooling fins clean and free of debris build-up.
- 5) Before storing the WHEELMAN® after a project is completed, spray n' wipe the entire machine with WD-40, and store it inside.



NOTE: When cleaning the mixer with water, do not spray the water onto the motor or the ON/OFF switch assembly.

SPARE PARTS

All orders for spare parts must include the following:

- 1) *Type of machine.* (Example: WHEELMAN® concrete mixer)
- 2) *Part number and drawing references of each part, see the parts list.*
- 3) *Serial number and year of manufacture recorded on the machine's identification plate.*



DIAGRAM #1 FRAME AND DRUM ASSEMBLY

COD.1105422 - WHEELMAN (110 / 115V - 60 Hz)

Rif.	P.n.	Description	Note
1	2222193	SCREW	TB M12 x 25
2	2250155	PADDLE	
3	2223700	NUT	5588 M12z
4	2250719	DRUM	
5	2222982	T-BOLT	
6	2224428	T-BOLT WASHER	14X36X6
7	3206800	STOP RING	M1455 ZA Ø14
8	2235457	PLASTIC PLUG	
9	2223924	NUT	5588 M6z
10	3208129	WHEEL	
11	3208452	PLASTIC PLUG	
12	2222110	BOLT	TE M8 x80 z
13	3208139	HANDLE GRIP	D.30
14	3208397	MOTOR GUARD	
15	2222002	BOLT	TE M6 x 16 z
16	3208181	WASHER	
17	2226700	SPLIT PIN	
18	3208177	DUMP HANDLE	
19	3210879	MOTOR GEARBOX FRAME	
20	3208182	CORD KEEPER	
21	3210883	ID PLATE	
22	2223923	SELF-LOCKING NUT	M8
23	3210492	MOTOR GEARBOX COMPLETE	110 / 115V - 60Hz

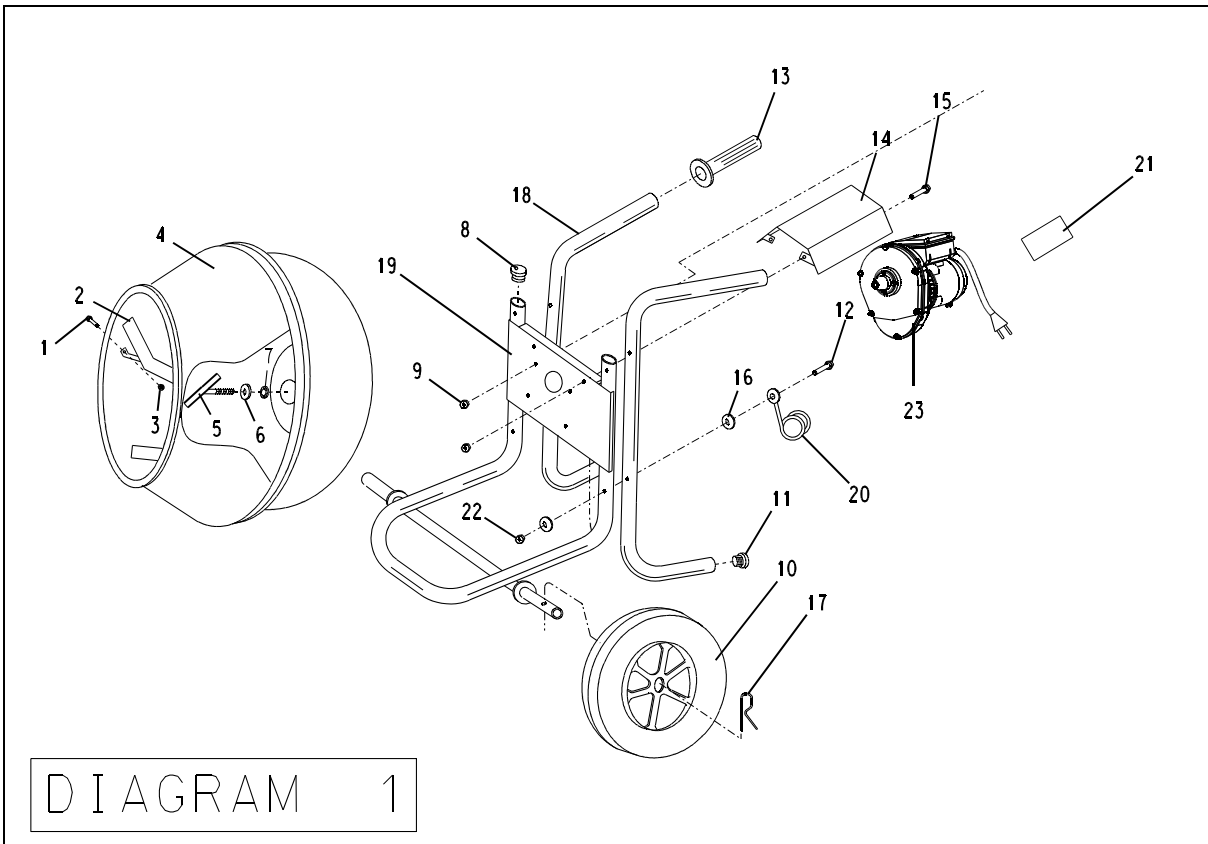




DIAGRAM #2 MOTOR AND GEARBOX ASSEMBLY (110/115V - 60Hz)

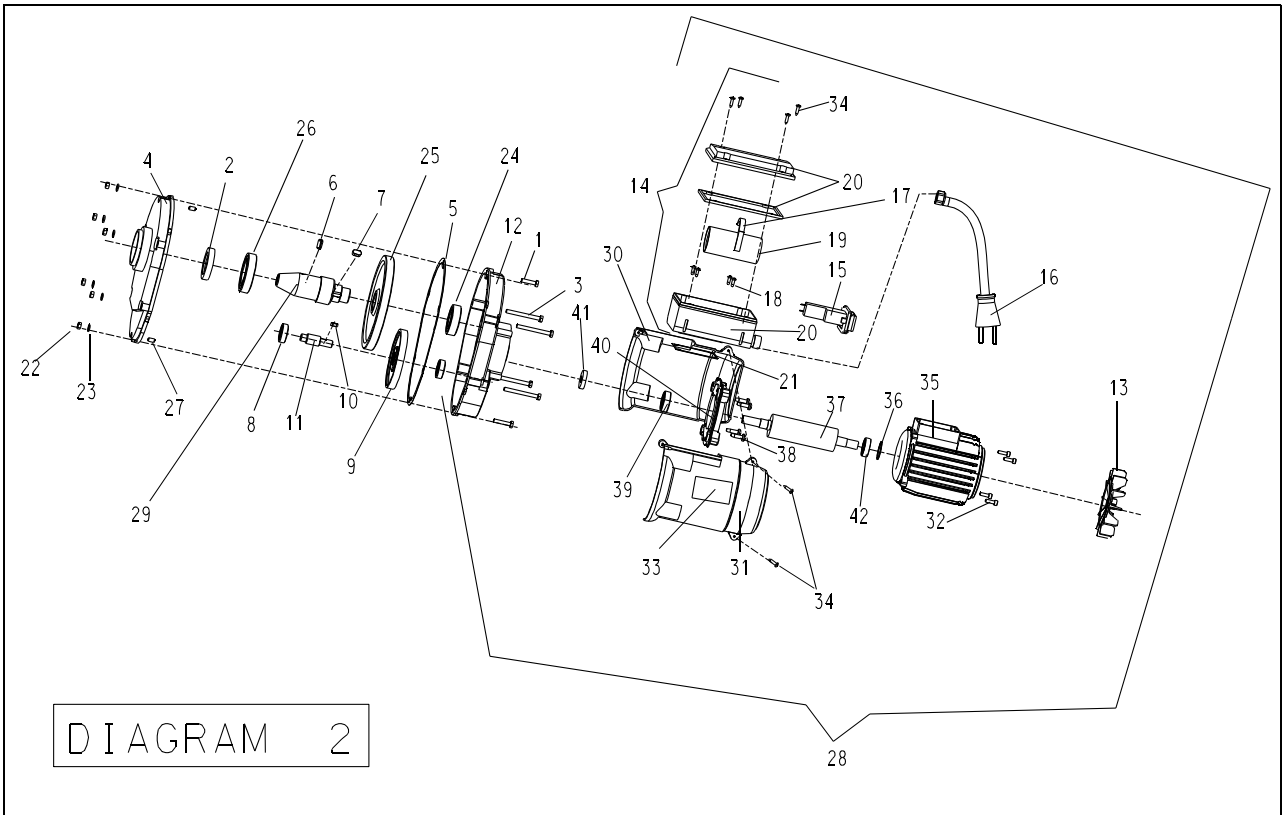




DIAGRAM #2 MOTOR AND GEARBOX ASSEMBLY

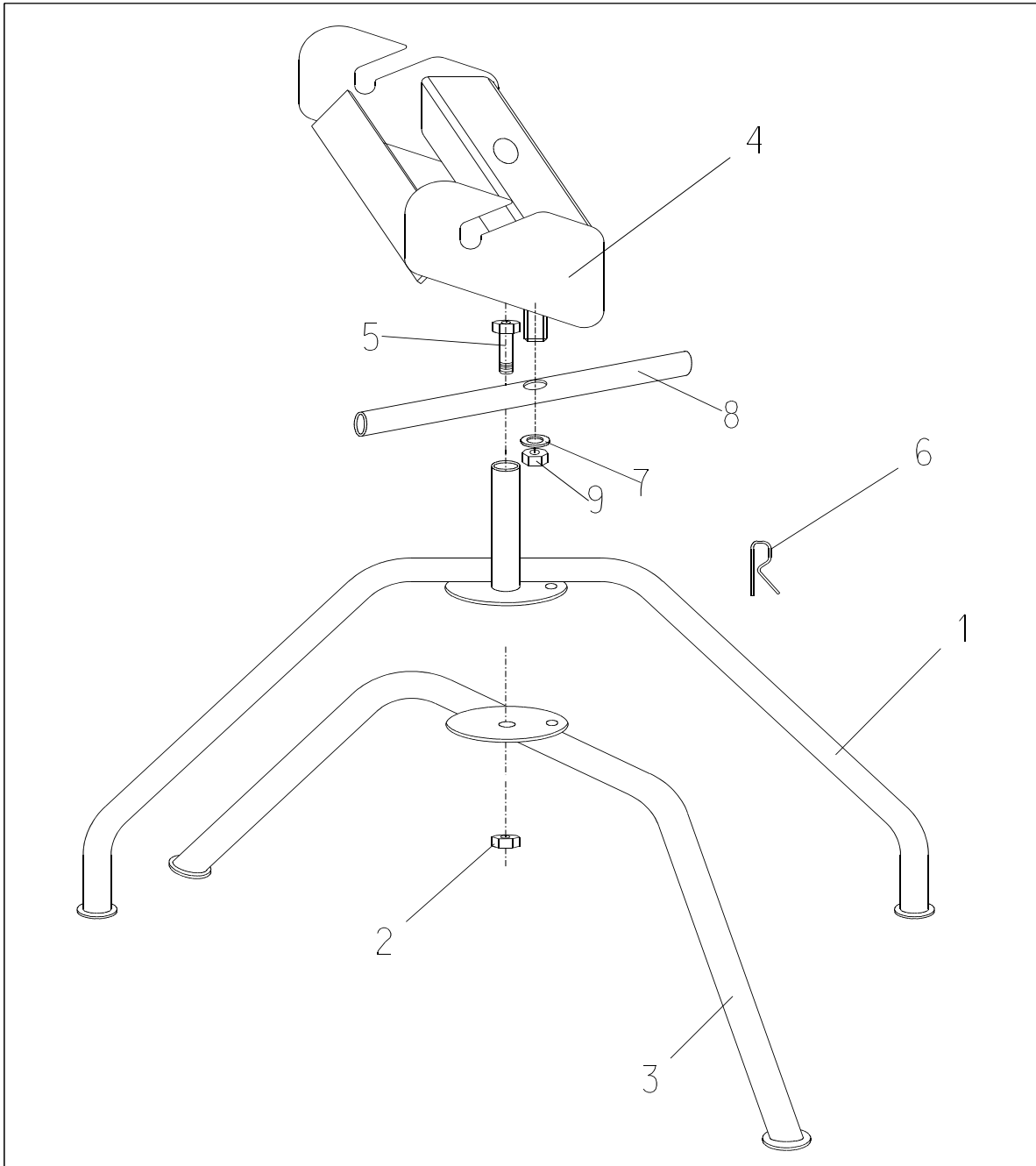
COD. 3210492 (110 / 115 V - 60 Hz)

RIF.	P.n.	Description	Note
1	2222010	BOLT	M6x25
2	2207405	OIL SEAL	55x40x10
3	2222012	BOLT	M6x60
4	3210485	GEARBOX CASE-HALF	
5	3210482	GEARBOX GASKET	
6	2228360	SHEAR PIN	Ø8x16
7	2229500	KEY	8x7x15
8	2204420	BEARING	6201
9	3210487	GEAR	Z 81
10	2229249	KEY	5x5x12
11	3210483	PINION GEAR	Z 9
12	3210486	GEARBOX CASE-HALF	
13	3210904	FAN	
14	3210911	ELECTRIC BOX COMPLETE (ALL COMPONENTS)	
15	3209539	SWITCH	
16	3210955	ELECTRICAL PLUG	
17	3209541	CLAMP	
18	2222460	SCREW	
19	3210923	CAPACITOR	50µF 250 V
20	3209217	ELECTRIC BOX ASS'Y + SCREW + GASKET ONLY	
21	3209214	GASKET	
22	2223260	NUT	M6
23	2224530	WASHER	Ø6x12.5
24	2204550	BEARING	6205
25	3210479	GEAR	Z 104
26	2204504	BEARING	6008
27	2228819	LOCATING PIN	Ø6x12
28	3210494	MOTOR ASS'Y WITH CASE HALF	
29	3210481	DRIVE SHAFT SPINDLE	
30	3210496	RIGHT SIDE MOTOR COVER	
31	3210495	LEFT SIDE MOTOR COVER	
32	3210036	SCREW	M5x16
33	3210587	RATING PLATE	
34	3210903	SCREW	3,9x19
35	3210906	STATOR	
36	3210898	SPACER WASHER	
37	3210486	ROTOR	
38	3210901	SCREW	M5x22
39	3208982	BEARING	6202
40	3210488	INSULATING FLANGE	
41	2207350	OIL SEAL	12x32x7
42	3210902	BEARING	6002



**ACCESSORY WORK STAND
FOR THE WHEELMAN® MIXER
(1105490)**

TAV. 3		STATIONARY WORK PLATFORM	1105490
Ref.	Pn.	Description	Note
1	3208203	EXTERNAL LEG	
2	2223929	LOCK NUT	M.14
3	3208198	INTERNAL LEG	
4	3208191	SWIVEL BRACKET	
5	2224430	BOLT	14X36 z
6	2226700	SPLIT PIN	
7	2224380	WASHER	12x25 z
8	3210656	LOCKING LEVER	
9	2223929	LOCK NUT	M.12

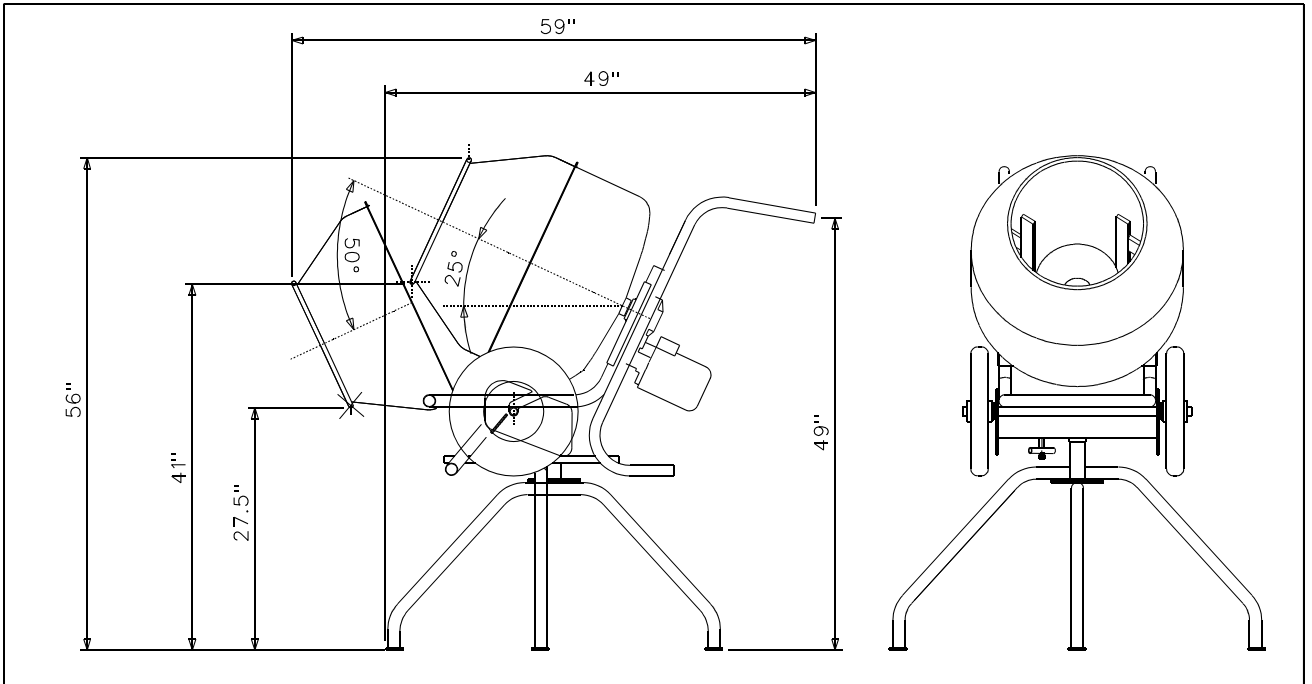




**ACCESSORY WORK STAND
FOR THE WHEELMAN® MIXER (1105490)**



IMER®
INTERNATIONAL S.p.A.





IMER U.S.A. Inc.
WHEELMAN®



IMER U.S.A. INC.

EQUIPMENT WARRANTY

IMER U.S.A. INC.

HEADQUARTERS

*221 Westhampton Place
Capitol Heights, MD
20743
Ph / 800.275.5463*

We warrant to the original purchaser that the IMER equipment described herein (the "equipment") shall be free from defects in material and workmanship under normal use and service for which it was intended for period of one (1) year from the date of purchase by the original purchaser.

Our obligation under this warranty is expressly limited to replacing or repairing, free of charge, F. O.B. our designated service facility, such part of the equipment as our inspection shall disclose to be defective. Parts such as engines, motors, pumps, valves, electric motors, etc. furnished by us, but not manufactured by us, will carry only the warranty of the manufacturer. Transportation charges or duties shall be borne by purchaser. This shall be the limit of our liability with respect to the quality of the equipment.

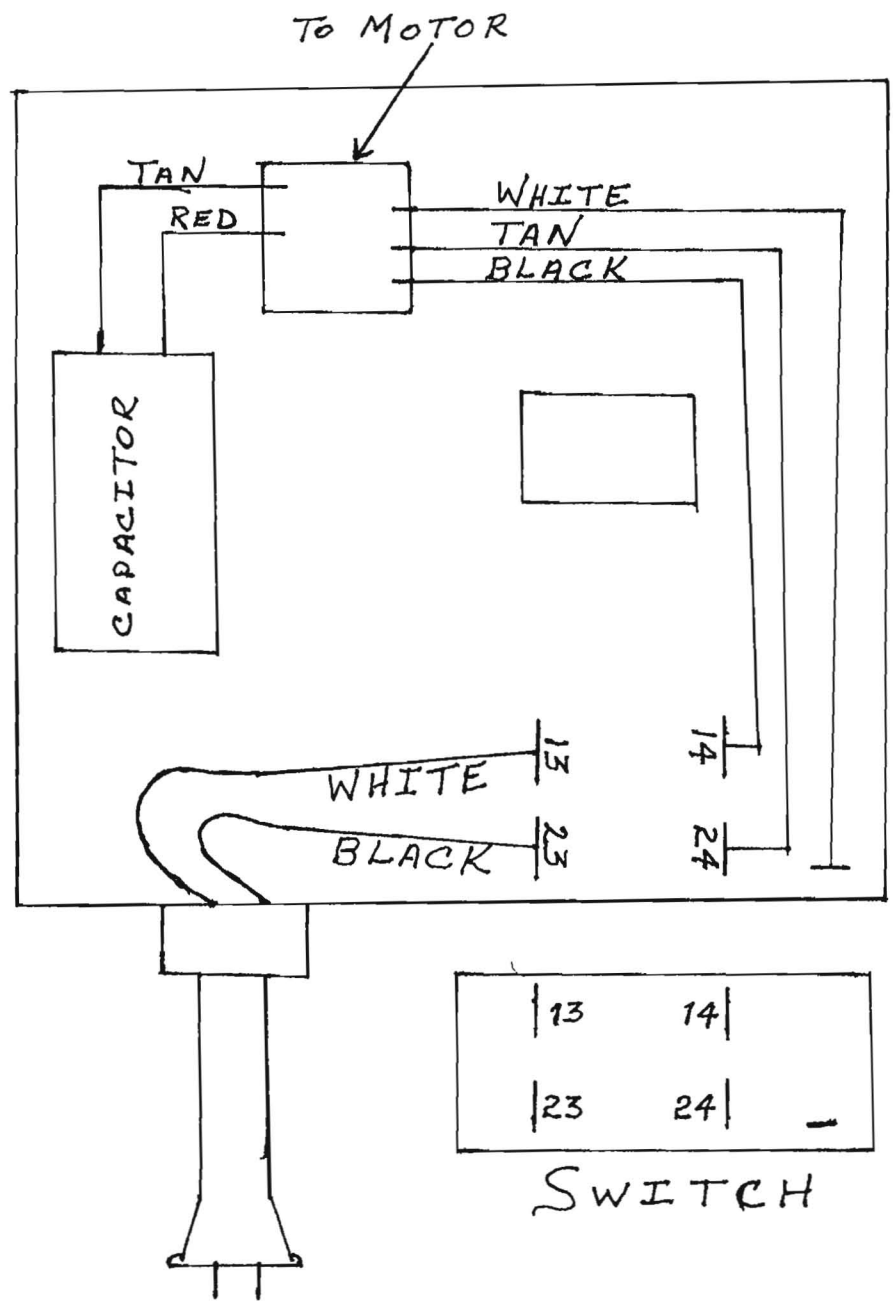
This warranty shall not apply to any equipment, or parts thereof, which has been damaged by reason of accident, negligence, unreasonable use, faulty repairs, or which has not been maintained and operated in accordance with our printed instructions for the equipment. Further, this warranty is void if the equipment, or any of its components, is altered or modified in any way.

THIS WARRANTY IS EXPRESSLY IN LIEU OF ALL OTHER WARRANTIES, EXPRESSED OR IMPLIED, INCLUDING ANY IMPLIED WARRANTY OF MERCHANTABILITY OR FITNESS FOR A PARTICULAR PURPOSE.

We make no other warranty, representation or guarantee, nor is anyone authorized to make one on our behalf. We shall not be liable for consequential damage of any kind, including loss or damage resulting, directly or indirectly, from the use or loss of use of the machine. Without limiting the generality of the foregoing, this exclusion from liability embraces the purchaser's expenses for downtime, damages for which the purchaser may be liable to other person, damages to property, and injury or death of any persons.

This warranty shall not be deemed to cover maintenance parts, including but not limited to blades, belts, hoses, hydraulic oil, or filters, for which we shall have no responsibility or liability whatsoever.

1105421 WHEELMAN ELECTRIC 110V



9-22-09
JW



This is a contact addendum to our manuals

Imer USA East

221 Westhampton Pl
Capitol Heights, MD 20743

Phone: 301-336-3700

Fax: 301-336-6687

Order Fax:301-336-5811

Imer USA West

3654 Enterprise Ave
Hayward, CA 94545

www.imerusa.com

800-275-5463