

FEATURED MODEL

440214 1-3/4 Bowl, 9-1/2" & 8" bowl depths, METALLIC GRAY

ADDITIONAL MODELS

- 440213 1-3/4 Bowl, 9-1/2" & 8" bowl depths, CAFE BROWN
- 440215 1-3/4 Bowl, 9-1/2" & 8" bowl depths, ANTHRACITE
- 440216 1-3/4 Bowl, 9-1/2" & 8" bowl depths, WHITE
- 440217 1-3/4 Bowl, 9-1/2" & 8" bowl depths, BISCUIT
- 441216 1-3/4 Bowl, 9-1/2" & 8" bowl depths, BISCOTTI
- 441283 1-3/4 Bowl, 9-1/2" & 8" bowl depths, TRUFFLE
- 441465 1-3/4 Bowl, 9-1/2" & 8" bowl depths, CINDER

Versatile dual deck design can be installed as a drop-in or undermount.

FEATURES

- Required outside cabinet: 33" (drop-in), 36" (undermount)
- 80% solid granite
- Heat resistant up to 536°F
- Unsurpassed cleanability backed by industry leading 7 patents!
- Resistant to scratches, stains and all household acids and alkali solutions
- Template provided
- Undermount clips NOT included
- 1/2" deck thickness
- Limited lifetime warranty

OPTIONAL ACCESSORIES

- Cutting Board: 440228 (drop-in only)
- Sink Grids: 220998 (left)
231342 (right)

CODE/STANDARDS COMPLIANCE

ANSI Z124.6-97
 IAPMO/UPC listed

WARRANTY

BLANCO'S SILGRANIT II Series sinks feature a LIMITED LIFETIME WARRANTY to be free of all manufacturing defects under normal use. See our complete warranty for details.

While BLANCO endeavors to provide accurate information, all dimensions are nominal, cannot be guaranteed, and are subject to change or cancellation. BLANCO assumes no responsibility for use of superseded or voided specifications.

JOB INFORMATION

Job Name: _____
 Contact: _____
 Date Specified: _____
 Specifier: _____
 Contractor: _____

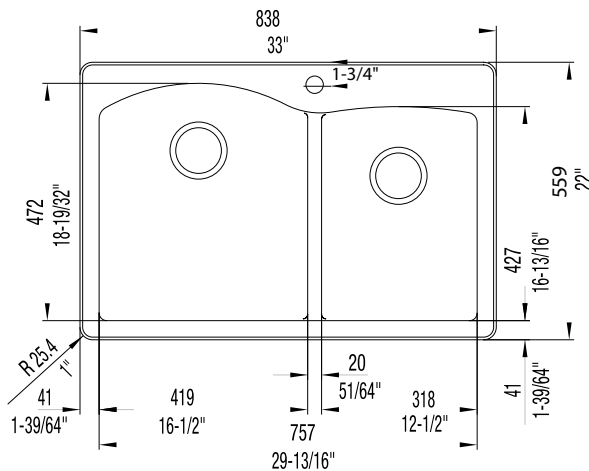


NOMINAL DIMENSIONS

Model 440214 shown

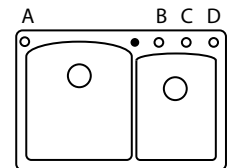
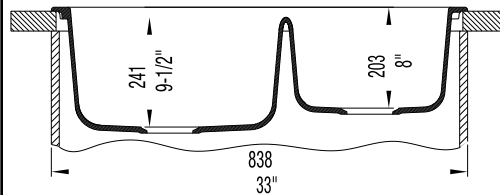
OVERALL	CUT OUT SIZE	BOWL DEPTHS LEFT	BOWL DEPTHS RIGHT	DRAIN
33" x 22"	32-1/4" x 21-1/4"	9-1/2"	8"	3-1/2"

DXF cutout templates available on our website.



KNOCKOUT HOLE LOCATIONS

Pre-drilled for single hole faucet.



BLANCO AMERICA

800.451.5782
 www.blancoamerica.com

© 2013 BLANCO AMERICA

6/13

SPEC-003