

# AMERISINK

## LEGEND

## UNDERMOUNT STAINLESS STEEL SINK

## AS3339

### Features

- 28.78" x 18.75" x 9"
- 18 gauge, 304 stainless steel
- Undermount sink
- Handcrafted
- Easy-to-clean, brushed finish
- Spray insulated undercoating & sound pads
- Includes template & installation hardware
- Limited lifetime warranty



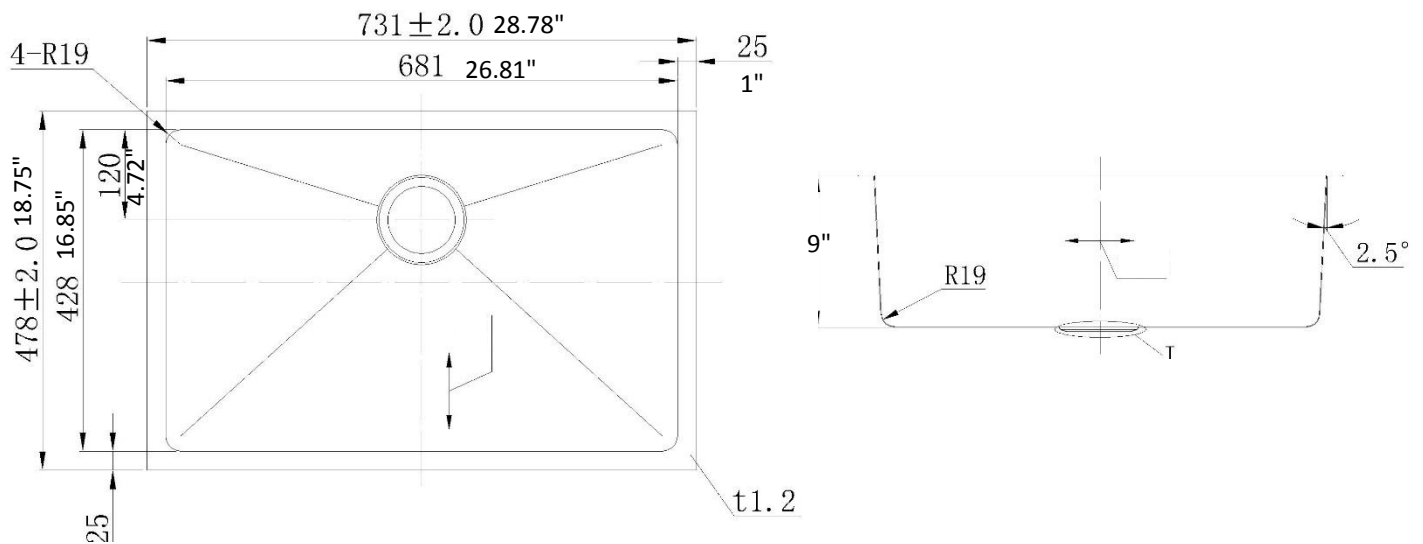
### OPTIONAL ACCESSORY:

BG 3339 Bottom Grids

### CODES:

ASME A112.19.3/CSA B45.4, cUPC

### Product Diagram



1-877-500-SINK (7465)

WEST COAST WAREHOUSE: 510-667-9998  EAST COAST WAREHOUSE: 404-691-5088

[WWW.AMERISINK.COM](http://WWW.AMERISINK.COM)