

### Features

- 23" x 18" x 9"
- 16 gauge, 304 stainless steel
- Undermount sink
- Handcrafted
- Easy-to-clean, brushed finish
- Spray insulated undercoating & sound pads
- Includes template & installation hardware
- Limited lifetime warranty

#### OPTIONAL ACCESSORY:

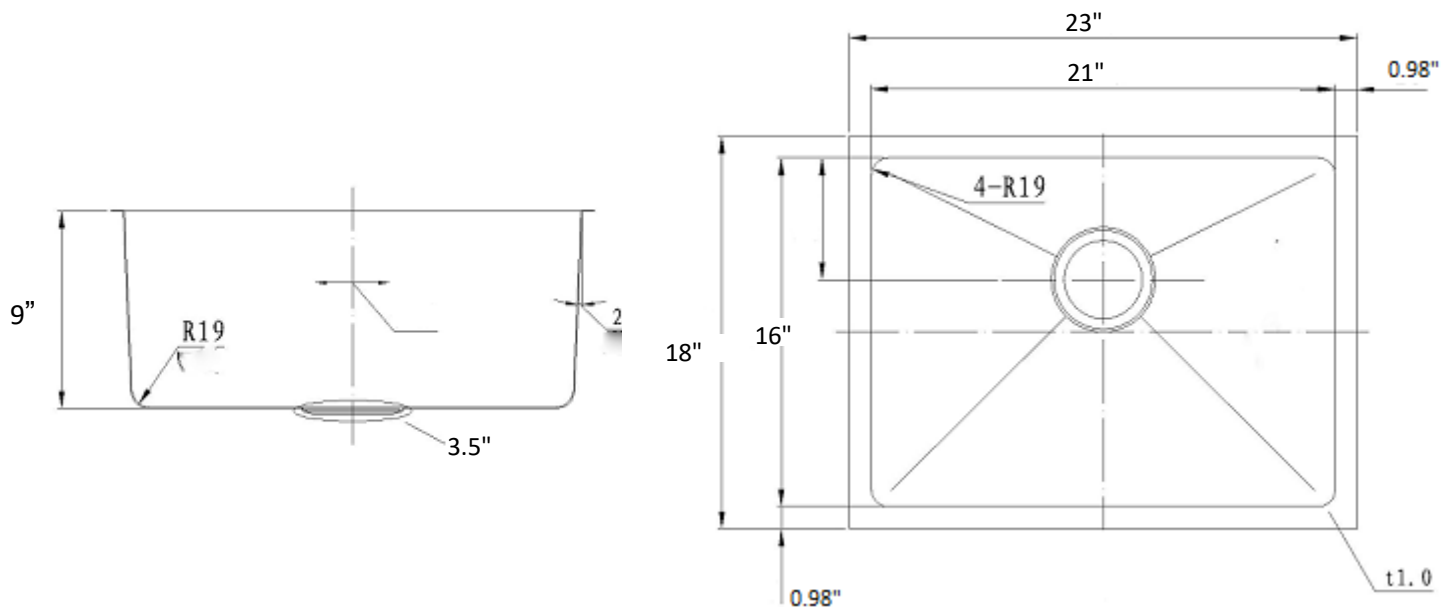
BG 332 Bottom Grids

#### CODES:

ASME A112.19.3/CSA B45.4, cUPC



### Product Diagram



**1-877-500-SINK (7465)**

WEST COAST WAREHOUSE: 510-667-9998  EAST COAST WAREHOUSE: 404-691-5088

**WWW.AMERISINK.COM**