



INSTRUCTION MANUAL
MANUEL D'INSTRUCTIONS
MANUAL DE INSTRUCCIONES

Cordless Coffee Maker Machine à Café Sans Fil Cafetera Inalámbrica

DCM501



IMPORTANT: Read Before Using.

IMPORTANT : Lire ce qui suit avant d'utiliser cet outil.

IMPORTANTE: Leer antes de usar.

IMPORTANT SAFEGUARDS

When using electrical appliances, basic safety precautions should always be followed to reduce the risk of fire, electric shock and/or injury to persons, including the following:

READ ALL INSTRUCTIONS BEFORE USING THIS APPLIANCE.

WARNING

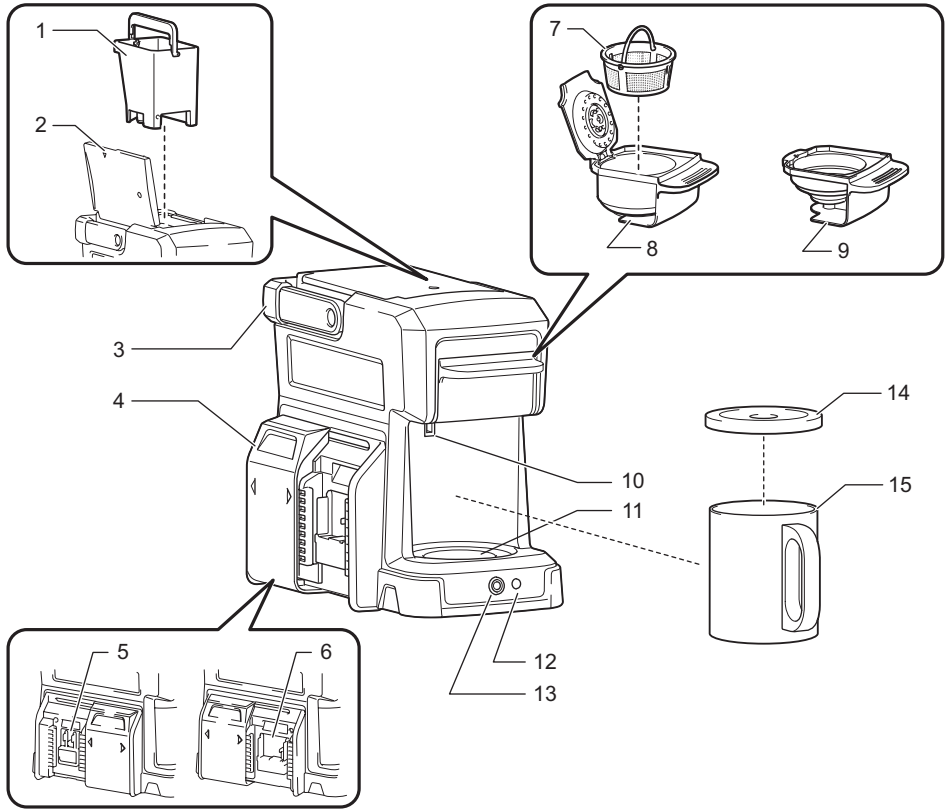
To reduce the risk of fire, electric shock or injury:

1. Do not touch hot surfaces. Use the handle.
2. To protect against fire, electric shock, do not immerse the appliance in water or in any other liquid.
3. Close supervision is necessary when any appliance is used by or near children. Children should be supervised to ensure that they do not play with the appliance.
4. Remove the battery cartridge when not in use and before cleaning. Allow to cool before putting on or taking off parts, and before cleaning the appliance.
5. Do not operate any appliance after the appliance malfunctions, or has been damaged in any manner. Return appliance to the nearest authorized service facility for examination, repair or adjustment.
6. The use of accessory attachments not recommended by the appliance manufacturer may result in fire, electric shock or injury to persons.
7. Do not use outdoors.
8. Do not place on or near a hot gas or electric burner, or in a heated oven.
9. Always turn off the power switch before removing the battery.
10. Do not use appliance for other than intended use.
11. Do not open the water tank lid during the brewing cycles.
12. Scalding may occur if the filter holder/cafe pod holder is removed during the brewing cycles.
13. Place the appliance on a hard, flat level surface to avoid interruption of airflow underneath the appliance.
14. **WARNING!** To reduce the risk of fire or electric shock, do not remove the bottom cover. No user serviceable parts inside. Service and repair should only be performed by an authorized service center.
15. Disconnect the battery cartridge from the appliance before making any adjustments, changing accessories, or storing appliance. Such preventive safety measures reduce the risk of starting the appliance accidentally.
16. Ensure that the switch is in the off-position before picking up or carrying the appliance. Carrying the appliance with your finger on the switch may energize it and invite accidents.
17. Recharge only with the charger specified by the manufacturer. A charger that is suitable for one type of battery cartridge may create a risk of fire when used with another battery cartridge.
18. Use appliances only with specifically designated battery cartridges. Use of any other battery cartridges may create a risk of injury and fire.

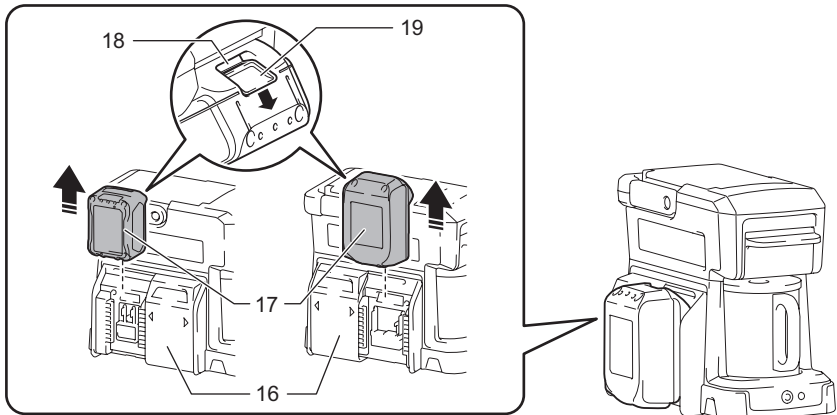
19. When battery cartridge is not in use, keep it away from other metal objects, like paper clips, coins, keys, nails, screws or other small metal objects, that can make a connection from one terminal to another. Shorting the battery terminals together may cause burns or a fire.
20. Under abusive conditions, liquid may be ejected from the battery; avoid contact. If contact accidentally occurs, flush with water. If liquid contacts eyes, additionally seek medical help. Liquid ejected from the battery may cause irritation or burns.
21. Do not use a battery cartridge or appliance that is damaged or modified. Damaged or modified batteries may exhibit unpredictable behavior resulting in fire, explosion or risk of injury.
22. Do not expose a battery cartridge or appliance to fire or excessive temperature. Exposure to fire or temperature above 130°C (265°F) may cause explosion.
23. Have servicing performed by a qualified repair person using only identical replacement parts. This will ensure that the safety of the product is maintained.
24. Follow all charging instructions and do not charge the battery cartridge or tool outside the temperature range specified in the instructions. Charging improperly or at temperatures outside the specified range may damage the battery and increase the risk of fire.
25. Do not modify or attempt to repair the appliance or battery cartridge except as indicated in the instruction manual for use and care.
26. Do not start the appliance if it does not work correctly.
27. Repairs must be carried out exclusively by an authorized service center.
28. This appliance is not intended for use by persons (including children) with reduced physical, sensory or mental capabilities, or lack of experience and knowledge, unless they have been given supervision or instruction concerning use of the appliance by a person responsible for their safety.
29. This appliance shall not be placed in a cabinet when in use.
30. To reduce the risk of fire or electrical shock, do not remove any of the lids.
31. This appliance is designed exclusively for domestic use. Household use only.
CLEAN THE COFFEE MAKER BEFORE USING IT FOR THE FIRST TIME.

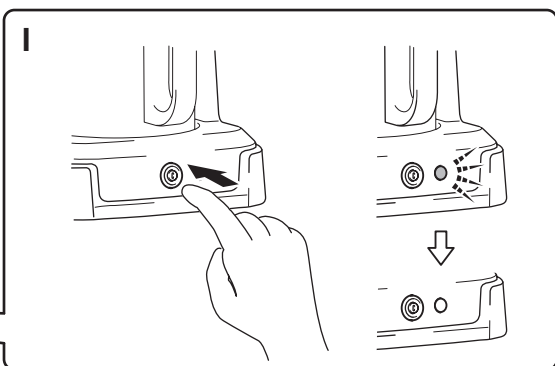
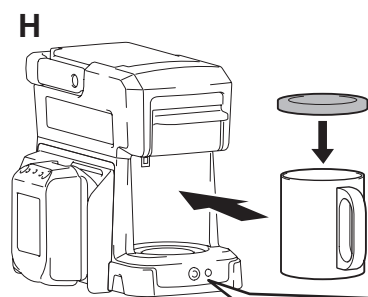
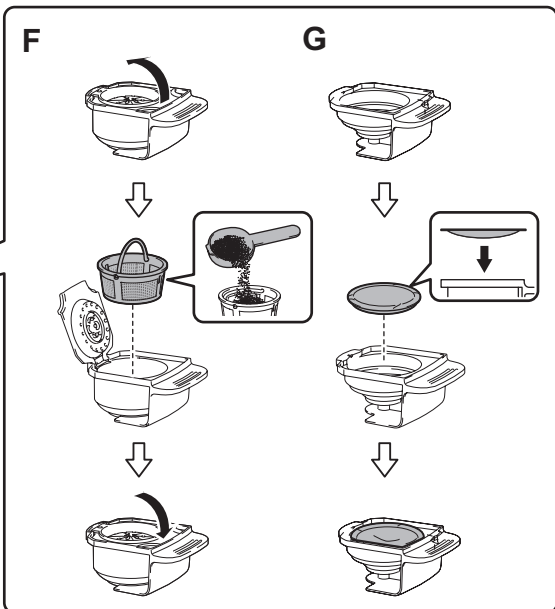
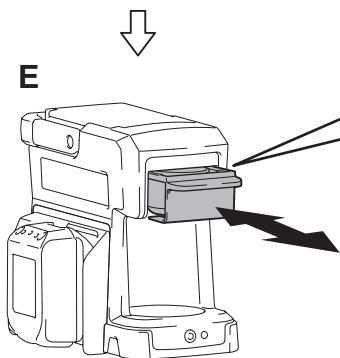
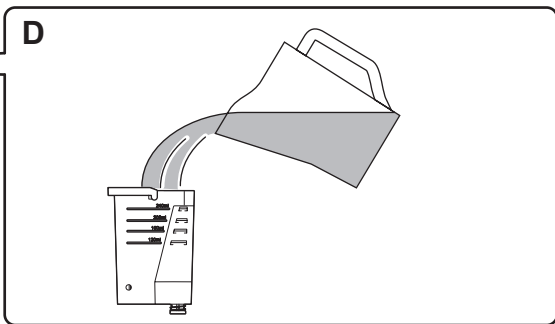
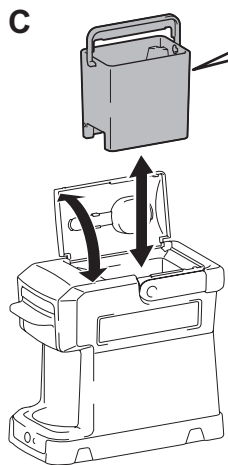
SAVE THESE INSTRUCTIONS.

A

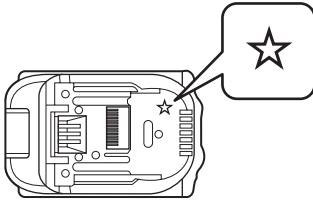


B

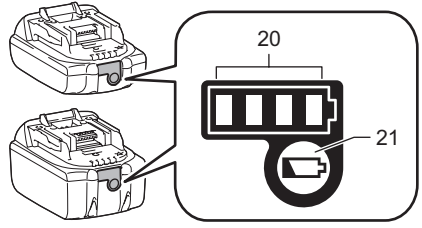




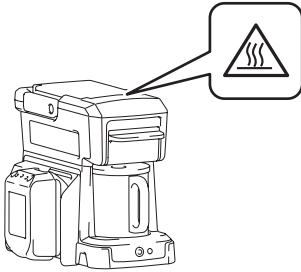
J



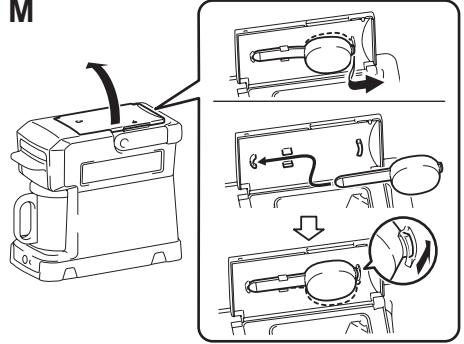
K



L



M



IMPORTANT SAFETY INSTRUCTIONS

FOR BATTERY CARTRIDGE

- Before using battery cartridge, read all instructions and cautionary markings on (1) battery charger, (2) battery, and (3) appliance using battery.
- Do not disassemble battery cartridge.
- If operating time has become excessively shorter, stop operating immediately. It may result in a risk of overheating, possible burns and even an explosion.
- If electrolyte gets into your eyes, rinse them out with clear water and seek medical attention right away. It may result in loss of your eyesight.
- Do not short the battery cartridge:
 - Do not touch the terminals with any conductive material.
 - Avoid storing battery cartridge in a container with other metal objects such as nails, coins, etc.
 - Do not expose battery cartridge to water or rain. A battery short can cause a large current flow, overheating, possible burns and even a breakdown.
- Do not store the appliance and battery cartridge in locations where the temperature may reach or exceed 50°C (122°F).
- Do not incinerate the battery cartridge even if it is severely damaged or is completely worn out. The battery cartridge can explode in a fire.
- Be careful not to drop or strike battery.
- Do not use a damaged battery.
- The contained lithium-ion batteries are subject to the Dangerous Goods Legislation requirements. For commercial transports e.g. by third parties, forwarding agents, special requirement on packaging and labeling must be observed. For preparation of the item being shipped, consulting an expert for hazardous material is required. Please also observe possibly more detailed national regulations. Tape or mask off open contacts and pack up the battery in such a manner that it cannot move around in the packaging.
- Follow your local regulations relating to disposal of battery.
- Use the batteries only with the products specified by Makita. Installing the batteries to non-compliant products may result in a fire, excessive heat, explosion, or leak of electrolyte.

SAVE THESE INSTRUCTIONS.

CAUTION

Only use genuine Makita batteries. Use of non-genuine Makita batteries, or batteries that have been altered, may result in the battery bursting causing fires, personal injury and damage. It will also void the Makita warranty for the Makita tool and charger.

Tips for maintaining maximum battery life

- Charge the battery cartridge before completely discharged.
Always stop appliance operation and charge the battery cartridge when you notice less appliance power.
- Never recharge a fully charged battery cartridge.
Overcharging shortens the battery service life.
- Charge the battery cartridge with room temperature at 10°C - 40°C (50°F - 104°F). Let a hot battery cartridge cool down before charging it.
- Charge the battery cartridge once in every six months if you do not use it for a long period of time.

Symbols

The following show the symbols used for the appliance. Be sure that you understand their meaning before use.



Dangerous voltage



Pay attention



Hot surfaces - Burns to fingers or hands.

SPECIFICATIONS

DCM501		
Rated voltage and applicable battery cartridges	DC 18 V	BL1815N, BL1820B, BL1830, BL1830B, BL1840B, BL1850B, BL1860B
	DC 14.4 V	BL1430B
	10.8 V - 12V max	BL1041B
Charger	DC 18 V	DC18RC, DC18RD, DC18RE, DC18SD, DC18SE, DC18SF
	DC 14.4 V	
	10.8 V - 12V max	DC10SB, DC10WD, DC18RE
Water tank capacity	240 ml	
Keep-warm function	None	
Applicable cafe pod type	60 mm	
Dimensions (L x W x H)	243 x 145 x 218 mm (9-9/16" x 5-11/16" x 8-9/16") (without battery cartridge)	
Weight	1.4 kg (3.0 lbs) (without battery cartridge)	

- Following battery cartridges can be installed to this appliance however the total brewing amount will be smaller than a cup.
BL1021B : approx. 140 ml
BL1016 : approx. 100 ml
- Due to our continuing program of research and development, the specifications herein are subject to change without notice.
- Specifications and battery cartridge may differ from country to country.

WARNING

Only use the battery cartridges listed above. Use of any other battery cartridges may cause injury and/or fire.

PARTS IDENTIFICATION (Fig. A)

1. Water tank
2. Water tank lid
3. Handle
4. Battery slot cover
5. Battery slot (for 10.8 V - 12 V max battery cartridge)
6. Battery slot (for 18 V and 14.4 V battery cartridge)
7. Filter
8. Filter holder
9. Cafe pod holder
10. Overflow opening
11. Cup rest
12. Power lamp
13. Power switch
14. Coffee cup cover
15. Coffee cup

PREPARATION

⚠ CAUTION

- Always switch off the appliance before installing or removing of the battery cartridge.
- Hold the top of the appliance and the battery cartridge firmly when installing or removing battery cartridge. Failure to do so may cause them to slip off your hands and result in damage to the appliance and battery cartridge and a personal injury.
- Always install the battery cartridge fully until the red indicator cannot be seen. If not, it may accidentally fall out of the battery holder, causing injury to you or someone around you.
- Do not install the battery cartridge forcibly. If the cartridge does not slide in easily, it is not being inserted correctly.
- Always install the battery to the suitable slot for the battery cartridge to be used.

When using the appliance first time, or after long period of storage, perform the following steps:

1. Remove all packing materials from the appliance.
2. Clean the appliance exterior and wash all removable parts. (refer to the "Daily cleaning" section for removable parts)
3. To clear any residue from the appliance, pour 240 ml of fresh water into the water tank and brew without ground coffee or cafe pod until the water tank gets empty. Repeat the same operation at least twice. (refer to the "Brewing" section for how to brew)

Installing or removing battery cartridge (Fig. B)

To install the battery cartridge (17), slide the battery slot cover (16) to open the battery slot that you are going to use ((6) for 18 V or 14.4 V battery cartridge, (5) for 10.8 V - 12 V max battery cartridge). Align the tongue on the battery cartridge with the groove in the housing and slip it into place. Insert it all the way until it locks in place with a little click. If you can see the red indicator (18) on the upper side of the button (19), it is not locked completely.

To remove the battery cartridge, slide it from the appliance while sliding the button on the front of the cartridge.

Battery protection system

The appliance is equipped with a battery protection system. This system automatically cuts off power to the appliance to extend battery life.

The appliance will automatically stop during operation if the appliance and/or battery are placed under one of the following conditions:

- Overheated:
If the appliance does not start, the battery is overheated. In this situation, let the battery cool before pressing the power switch again.
- Low battery voltage:
If the remaining battery capacity is too low, the appliance will not operate. The power lamp blinks in this situation. Remove and recharge the battery.










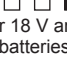
NOTE

- The overheat protection works only with a battery cartridge with a star mark (Fig. J).

Indicating the remaining battery capacity (Fig. K)

(Only for battery cartridges with the indicator)

Press the check button (21) on the battery cartridge to indicate the remaining battery capacity. The indicator lamps (20) light up for few seconds.

Indicator lamps			Remaining capacity
 Lighted	 Off	 Blinking	
			75% to 100%
			50% to 75%
			25% to 50%
			0% to 25%
			Charge the battery.
			The battery may have malfunctioned.
			


NOTE

- Depending on the conditions of use and the ambient temperature, the indication may differ slightly from the actual capacity.

OPERATION

⚠ CAUTION

To reduce the risk of scalding, follow the instructions below:

- Do not remove the filter holder/cafe pod holder during the brewing cycle. Steam builds up under the filter holder/cafe pod holder.
- When the brewing section marked with  is steaming, do not touch it. (Fig. L)
- Be aware that hot coffee drips from the bottom of the filter holder/cafe pod holder even after the brewing cycle.

- After the brewing is finished, wait at least 5 minutes before removing the filter holder/cafe pod holder.
- If another brewing cycle is to be started, wait at least 5 minutes before supplying water to the appliance. Otherwise, steam and hot water could be released and scalding may result.
- Do not touch the plate on the bottom of the appliance during and immediately after brewing.

NOTE

- For brewing, do not use any other liquid than water.
- Always use cold water for brewing. Hot water promotes the dripping speed and cause overflow from the filter holder/cafe pod holder.
- The maximum water tank capacity is 240ml. Do not pour too much water to the water tank. Excess water may come out of the overflow opening.

Brewing

1. Open the water tank lid and take the water tank out. (Fig. C)
2. Pour preferred amount of fresh cold water into the water tank and install it to the appliance. (Fig. D)

Style	Recommended amount of water
Ground coffee (6.5 g *)	160 ml
Cafe pod (60 mm type)	120 ml

* Equals to a level of the supplied spoon.

3. Close the water tank lid.
4. Remove the filter holder/cafe pod holder. (Fig. E)
5. Follow the procedures below according to the style of the coffee to be brewed :

Ground coffee (Fig. F)

Open the cover. Take the filter out from the filter holder. Put preferred amount of ground coffee into the filter. Place the filter back in position and close the cover.

Cafe pod (Fig. G)

Set a cafe pod into the cafe pod holder.

- Be sure that the flat surface of the cafe pod faces up when placed.
- Do not use a torn cafe pod.
- Do not set two or more cafe pods. Hot water will overflow.

6. Insert the filter holder/cafe pod holder to the slot on the appliance.

If the holder/cafe pod holder cannot be inserted to the slot properly, check if the filter/cafe pod is correctly installed.

7. Put the cover on the coffee cup and place it on the cup rest. (Fig. H)
8. Press the power switch. The power lamp lights up and brewing cycle begins. (Fig. I) The appliance will automatically turn off the power when the brewing cycle is finished. Press the power switch if you want to stop the brewing in the middle.

Estimated time for brewing (160 ml)

Battery cartridge (fully charged)	Estimated time
18 V (with BL1830B)	approx. 5 min.
14.4 V (with BL1430B)	approx. 5 min.
10.8 V (with BL1041B)	approx. 7 min.

MAINTENANCE

⚠ WARNING

- When servicing is required, ask a Makita authorized service center which deals genuine replacement parts. Use of any other parts may create a hazard or cause product damage.
- To avoid serious personal injury, always remove the battery cartridge from the unit when cleaning or performing any maintenance.
- Do not immerse the appliance and battery in water or other liquids.

Daily cleaning

NOTICE

- Never use gasoline, benzene, thinner, alcohol or the like when cleaning plastic parts. Discoloration, deformation or cracks may result. After appliance cooled, use clean clothes to remove dirt, dust, oil, grease etc.
- Do not use abrasive cleansers or scouring pads.
- Do not dry the inside of the appliance with a cloth, as lint may remain.

Proper maintenance will ensure years of service for your appliance. Clean the appliance after every use to maintain quality coffee flavor.

1. Remove the battery from the appliance and allow the appliance to cool.
2. Wipe the exterior with a soft cloth moistened with water.
3. Remove the filter holder (with filter) or the cafe pod holder from the appliance. Wash the removed parts with soapy water. After that, rinse them with water.
4. Allow the appliance and all parts to dry completely.

Removing scales inside the appliance

Through the use of the appliance, water scale will build up in the piping inside. Water scale hinders the water flow and prolongs the dripping time as the result. If the dripping time has become longer than before, clean the inside piping with citric acid.

1. Take the water tank out and pour 240 ml of water into it.
2. Add 5 g of citric acid commercially available into the water and stir it up.
3. Install the water tank into the appliance.
4. Remove the filter holder/cafe pod holder from the appliance.
5. Put a cup on the cup rest.
6. Press the power switch.
7. After the dripping is finished, take the water tank and the coffee cup out and rinse them with water.

8. Pour 240 ml of water to the water tank and install it into the appliance.
9. Put the coffee cup on the cup rest.
10. Press the power switch and wait until the dripping finished.

Repeat the step 8 to 10 if you taste or smell citric acid. Repeat the above procedures if the dripping still takes time.

Transportation / Storage

- Use the handle when carrying the appliance. When folding the handle, be careful not to get your fingers pinched.
- To prevent fire or burning, allow the appliance to cool down completely before you carry or store it.
- Do not store the discharged battery for long periods, as it can shorten its service life.
- The supplied spoon can be stored in the back side of the water tank lid. To store, slide the end of the spoon into the hooks. **(Fig. M)**

To maintain product SAFETY and RELIABILITY, repairs, any other maintenance or adjustment should be performed by Makita Authorized Service Centers, always using Makita replacement parts.

OPTIONAL ACCESSORY

CAUTION

- These accessories or attachments are recommended for use with your appliance specified in this manual. The use of any other accessories or attachments might present a risk of injury to persons. Only use accessory or attachment for its stated purpose.

If you need any assistance for more details regarding these accessories, ask your local Makita Service Center.

- Makita genuine battery and charger
- Cafe pod for Makita coffee maker

NOTE

- Some items in the list may be included in the appliance package as standard accessories. They may differ from country to country.

MAKITA LIMITED WARRANTY

Please refer to the annexed warranty sheet for the most current warranty terms applicable to this product. If annexed warranty sheet is not available, refer to the warranty details set forth at below website for your respective country.

- United States of America: www.makitatools.com
- Canada: www.makita.ca
- Other countries: www.makita.com

IMPORTANTES MESURES DE SÉCURITÉ

Lors de l'utilisation d'appareils électriques, il importe de toujours prendre des précautions élémentaires de sécurité, dont les suivantes, pour réduire les risques d'incendie, de choc électrique et/ou de blessure :

LISEZ TOUTES LES INSTRUCTIONS AVANT D'UTILISER CET APPAREIL.

MISE EN GARDE

Pour réduire les risques d'incendie, de décharge électrique ou de blessure :

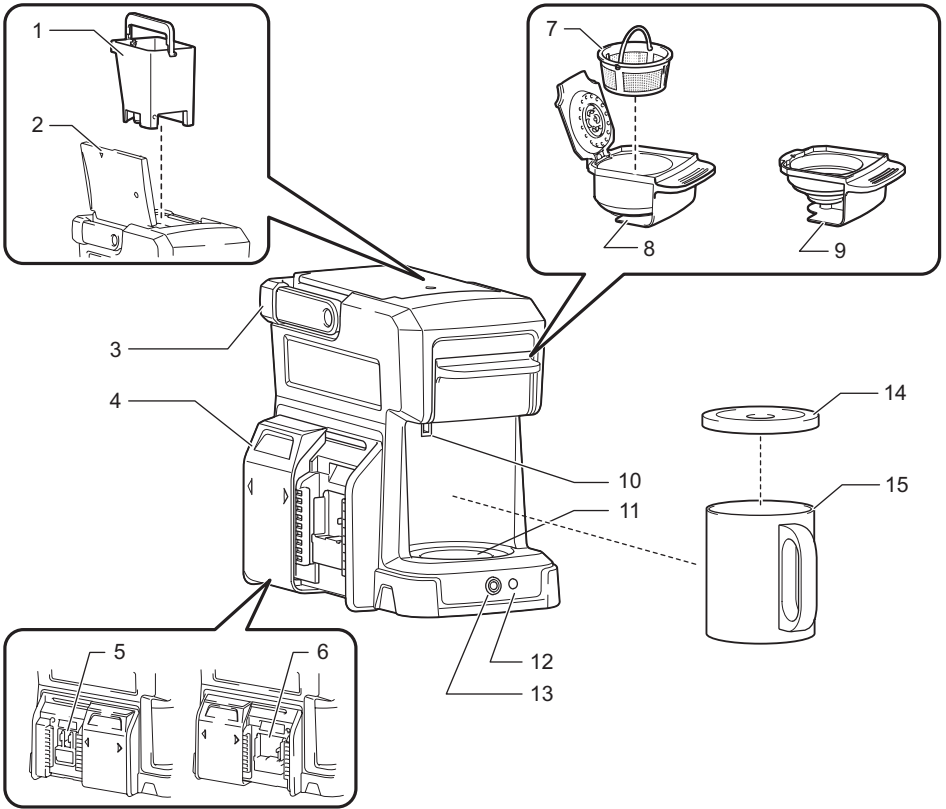
1. Ne touchez pas les surfaces chaudes. Utilisez la poignée.
2. Par mesure de protection contre les incendies et les décharges électriques, évitez d'immerger l'appareil dans de l'eau ou tout autre liquide.
3. Une surveillance étroite est nécessaire lorsque tout appareil est utilisé près d'enfants ou par des enfants. Les enfants doivent être surveillés, pour s'assurer qu'ils ne jouent pas avec l'appareil.
4. Retirez la batterie lorsque vous ne l'utilisez pas et avant de nettoyer. Laissez refroidir l'appareil avant de poser ou d'enlever des pièces et avant de le nettoyer.
5. N'utilisez jamais un appareil ayant présenté un dysfonctionnement, ou ayant été endommagé. Confiez l'appareil au centre de service autorisé le plus proche pour le faire inspecter, réparer ou régler.
6. L'utilisation d'accessoires non recommandés par le fabricant de l'appareil peut entraîner un incendie, une décharge électrique ou des blessures.
7. N'utilisez pas l'appareil à l'extérieur.
8. Ne mettez pas l'appareil sur ou près d'un brûleur à gaz ou électrique chaud, ni dans un four chaud.
9. Mettez toujours l'interrupteur d'alimentation en position d'arrêt avant de retirer la batterie.
10. N'employez pas l'appareil à d'autres usages que celui pour lequel il a été conçu.
11. N'ouvrez pas le couvercle du réservoir d'eau pendant les cycles d'infusion.
12. Il y a un risque de brûlures si le porte-filtre/porte-dosette est retiré pendant les cycles d'infusion.
13. Mettez l'appareil sur une surface dure, plane et de niveau pour éviter l'interruption de la circulation d'air sous l'appareil.
14. **MISE EN GARDE!** Pour réduire les risques d'incendie ou de décharge électrique, ne retirez pas le couvercle inférieur. Aucune pièce interne n'est réparable par l'utilisateur. L'entretien et la réparation ne doivent être confiés qu'à un centre de service autorisé.
15. Débranchez la batterie de l'appareil avant d'effectuer tout réglage, de remplacer des accessoires ou de ranger l'appareil. Ces mesures de prévention réduisent les risques de démarrage accidentel de l'appareil.

16. Vérifiez que l'interrupteur est en position d'arrêt avant de soulever ou de transporter l'appareil. Si vous transportez l'appareil avec un doigt sur l'interrupteur, vous risquez de le mettre en marche et de causer un accident.
17. Ne rechargez la batterie qu'avec le chargeur spécifié par le fabricant. Un chargeur conçu pour un type donné de batterie peut créer un risque d'incendie s'il est utilisé avec un autre type de batterie.
18. N'utilisez les appareils qu'avec les batteries spécifiquement désignées. L'utilisation de toute autre batterie peut créer un risque de blessure et d'incendie.
19. Lorsque la batterie n'est pas utilisée, rangez-la à l'écart des autres objets métalliques tels que trombones, pièces de monnaie, clés, clous, vis et autres petits objets métalliques pouvant établir la connexion entre deux bornes. Court-circuiter les bornes de batterie peut entraîner des brûlures ou un incendie.
20. Dans des conditions abusives, du liquide peut jaillir de la batterie; évitez tout contact. En cas de contact accidentel, rincez à l'eau. Si le liquide atteint les yeux, consultez aussi un médecin. Le liquide éjecté par la batterie peut causer des irritations ou des brûlures.
21. N'utilisez pas une batterie ou un appareil abîmé ou modifié. Le comportement imprévisible des batteries abîmées ou modifiées peut entraîner un incendie, une explosion ou un risque de blessure.
22. N'exposez pas une batterie ou un appareil au feu ou à une température excessive. L'exposition au feu ou à une température supérieure à 130 °C (265 °F) peut entraîner une explosion.
23. L'entretien doit être confié à un réparateur qualifié et n'utilisant que des pièces de rechange identiques aux pièces d'origine. Cela assure que l'appareil reste sûr.
24. Respectez toutes les consignes de recharge et ne chargez pas la batterie ou l'instrument hors de la plage de température spécifiée dans les instructions. Une recharge incorrecte ou à une température non conforme à la plage spécifiée risque d'endommager la batterie et d'augmenter le risque d'incendie.
25. Ne modifiez pas et n'essayez pas de réparer l'appareil ou la batterie, sauf conformément aux indications du manuel d'instructions pour l'utilisation et l'entretien.
26. N'allumez pas l'appareil s'il ne fonctionne pas correctement.
27. Les réparations doivent uniquement être confiées à un centre de service autorisé.
28. Cet appareil n'est pas conçu pour être utilisé par des personnes (y compris les enfants) aux capacités physiques, sensorielles ou mentales réduites, ni par des personnes dont l'expérience et les connaissances sont insuffisantes, à moins qu'elles ne soient surveillées ou guidées dans l'usage de l'appareil par une personne responsable de leur sécurité.
29. Cet appareil ne doit pas être placé dans une armoire lorsqu'il est utilisé.
30. Pour réduire les risques d'incendie ou de décharge électrique, ne retirez aucun des couvercles.
31. Cet appareil est conçu exclusivement pour un usage domestique. Pour usage domestique seulement.

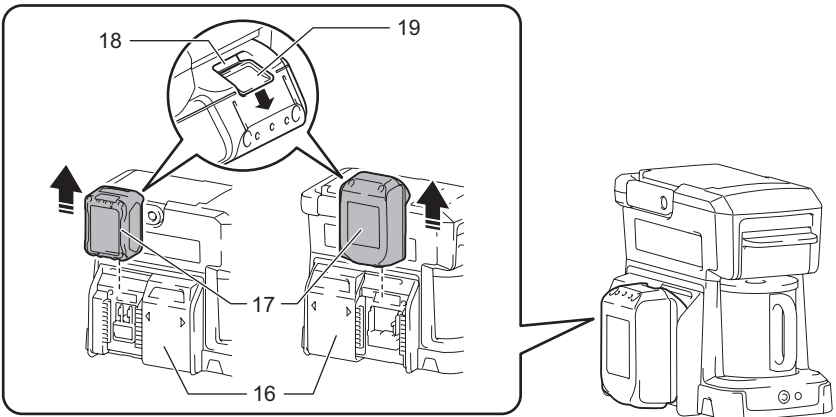
NETTOYEZ LA MACHINE À CAFÉ AVANT LA PREMIÈRE UTILISATION.

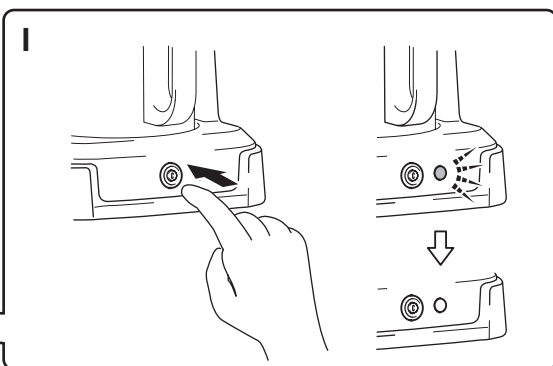
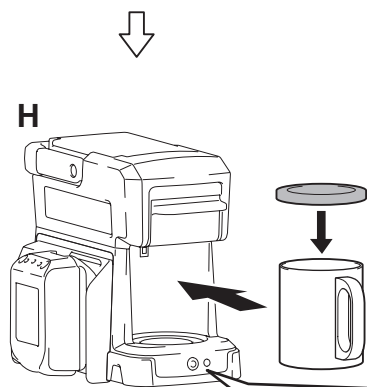
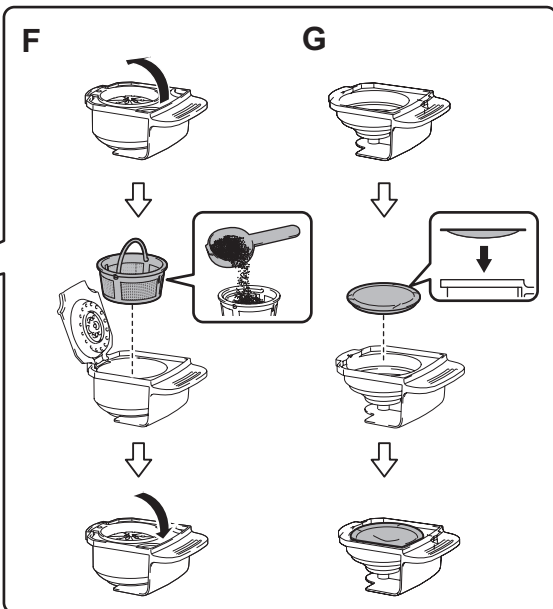
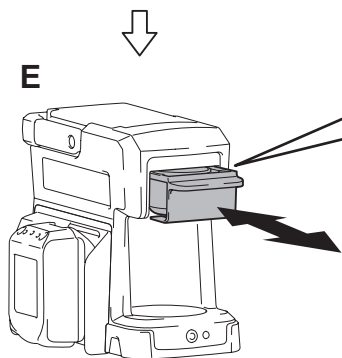
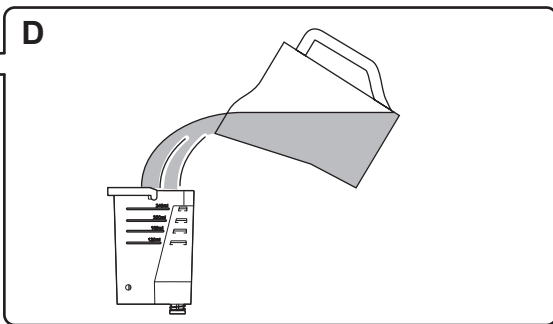
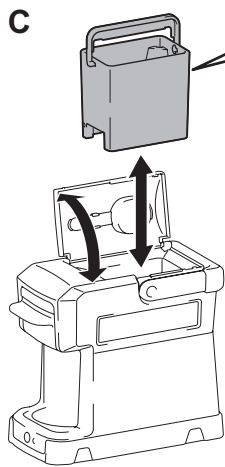
CONSERVEZ CES INSTRUCTIONS.

A

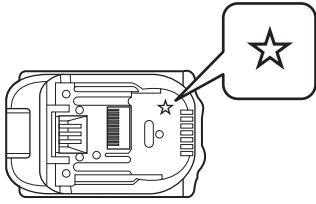


B

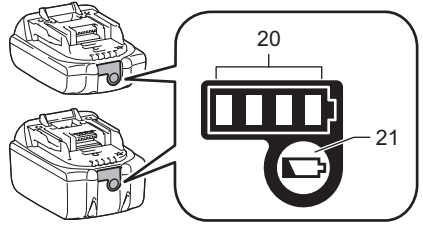




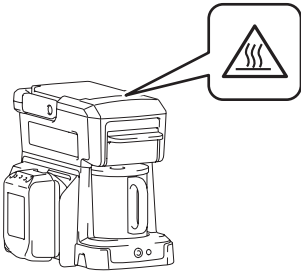
J



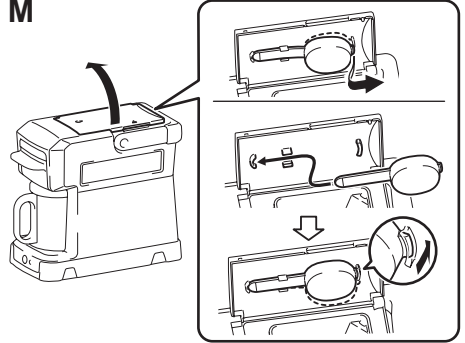
K



L



M



IMPORTANTES CONSIGNES DE SÉCURITÉ

POUR LA BATTERIE

1. Avant d'utiliser la batterie, veuillez lire toutes les instructions et toutes les mises en garde inscrites sur (1) le chargeur de batterie, (2) la batterie et (3) l'appareil alimenté par la batterie.
2. Ne démontez pas la batterie.
3. Si la durée de fonctionnement diminue considérablement, cessez immédiatement l'utilisation. Cela comporte un risque de surchauffe et de brûlures, voire d'explosion.
4. Si l'électrolyte atteint vos yeux, rincez-les à l'eau claire et consultez immédiatement un médecin. Il existe un risque de cécité.
5. Ne court-circuitez pas la batterie :
 - (1) Ne touchez les bornes avec aucun matériau conducteur.
 - (2) Évitez de ranger la batterie dans le même contenant que d'autres objets métalliques tels que clous, pièces de monnaie, etc.
 - (3) N'exposez pas la batterie à l'eau ou à la pluie. Un court-circuit de la batterie peut entraîner un fort courant, une surchauffe, des brûlures, voire une panne.
6. Ne rangez pas l'appareil et la batterie dans des emplacements où la température peut atteindre ou dépasser 50 °C (122 °F).
7. Ne détruisez pas la batterie par le feu même si elle est très abîmée ou complètement épuisée. La batterie peut exploser au contact des flammes.
8. Évitez de lâcher ou de heurter la batterie.
9. N'utilisez pas la batterie si elle est abîmée.
10. Les batteries lithium-ion utilisées sont soumises aux exigences de la réglementation sur les marchandises dangereuses. Pour le transport commercial, par exemple par des tiers ou des transitaires, il est nécessaire de respecter des normes spécifiques concernant l'emballage et l'étiquetage. Pour préparer un article à expédier, il est nécessaire de consulter un expert en matériaux dangereux. Il se peut que vous deviez aussi respecter des réglementations nationales plus détaillées. Placez du ruban adhésif ou dissimulez autrement les contacts ouverts et emballez la batterie de sorte qu'il n'y ait aucun mouvement possible dans le paquet.
11. Respectez la réglementation locale en matière d'élimination des batteries.
12. Utilisez les batteries uniquement avec les produits indiqués par Makita. L'installation des batteries sur des produits non conformes risque d'entraîner un incendie, une surchauffe, une explosion ou une fuite d'électrolyte.

CONSERVEZ CES INSTRUCTIONS.

ATTENTION

Utilisez exclusivement des batteries Makita d'origine. Les batteries autres que celles fabriquées par Makita ou les batteries modifiées peuvent exploser et causer un incendie, une blessure ou des dommages. Leur usage annulerait également la garantie Makita fournie pour l'appareil et le chargeur.

Conseils pour assurer la durée de service maximale de la batterie

1. Chargez la batterie avant qu'elle ne soit complètement déchargée.
Éteignez toujours l'appareil et chargez la batterie lorsque vous remarquez que l'appareil faiblit.

2. Ne rechargez jamais une batterie déjà complètement chargée.
La surcharge réduit la durée de service de la batterie.
3. Chargez la batterie à une température ambiante de 10 °C à 40 °C (50 °F à 104 °F). Avant de charger une batterie chaude, laissez-la refroidir.
4. Chargez la batterie une fois tous les six mois si vous la laissez inutilisée pendant une période prolongée.

Symboles

Les symboles utilisés pour l'appareil sont présentés ci-dessous. Assurez-vous d'en avoir bien compris le sens avant d'utiliser l'appareil.



Tension dangereuse



Attention



Surfaces chaudes - Risque de se brûler les doigts ou les mains.

SPÉCIFICATIONS

DCM501		
Tension nominale et batteries concernées	C.C. 18 V	BL1815N, BL1820B, BL1830, BL1830B, BL1840B, BL1850B, BL1860B
	C.C. 14,4 V	BL1430B
	10,8 V - 12 V max	BL1041B
Chargeur	C.C. 18 V	DC18RC, DC18RD, DC18RE, DC18SD, DC18SE, DC18SF
	C.C. 14,4 V	
	10,8 V - 12 V max	DC10SB, DC10WD, DC18RE
Capacité du réservoir d'eau	240 ml	
Fonction de maintien au chaud	Aucune	
Type de dosette de café utilisable	60 mm	
Dimensions (L x l x H)	243 x 145 x 218 mm (9-9/16" x 5-11/16" x 8-9/16") (sans batterie)	
Poids	1,4 kg (3,0 lbs) (sans batterie)	

- Les batteries suivantes sont utilisables avec cet appareil, cependant la quantité totale d'infusion est inférieure à une tasse.
BL1021B : environ 140 ml
BL1016 : environ 100 ml
- En raison de notre programme continu de recherche et développement, les présentes caractéristiques techniques peuvent être modifiées sans préavis.
- Les caractéristiques techniques et la batterie peuvent varier d'un pays à l'autre.

MISE EN GARDE

Utilisez exclusivement les batteries listées ci-dessus. L'utilisation de toute autre batterie peut causer des blessures et/ou un incendie.

IDENTIFICATION DES PIÈCES (Fig. A)

1. Réservoir d'eau
2. Couvercle du réservoir d'eau
3. Poignée
4. Couvercle de la fente de la batterie
5. Fente de la batterie (pour une batterie de 10,8 V - 12 V au maximum)
6. Fente de la batterie (pour une batterie de 18 V et 14,4 V)
7. Filtre
8. Porte-filtre
9. Porte-dosette
10. Orifice de trop-plein
11. Support de tasse
12. Témoin d'alimentation
13. Interrupteur d'alimentation
14. Couvercle de tasse à café
15. Tasse à café

PRÉPARATIFS

ATTENTION

- Éteignez toujours l'appareil avant d'installer ou de retirer la batterie.
- Tenez fermement le haut de l'appareil et la batterie lorsque vous installez ou retirez la batterie. Si vous ne les tenez pas fermement, ils risquent de vous glisser des mains, ce qui peut endommager l'appareil et la batterie, et causer des blessures.
- Installez toujours la batterie en l'insérant complètement, jusqu'à ce que le voyant rouge ne soit plus visible. Sinon, elle risque de tomber du porte-batterie, ce qui comporte un risque de blessure pour vous-même et les personnes présentes.
- Ne forcez pas pour installer la batterie. Si la batterie ne glisse pas facilement, c'est qu'elle n'est pas insérée correctement.
- Installez toujours la batterie dans la fente correspondante.

Lors de la première utilisation de l'appareil, ou après une longue période de rangement, suivez les étapes ci-dessous :

1. Retirez tout le matériel d'emballage de l'appareil.
2. Nettoyez l'extérieur de l'appareil et lavez toutes les pièces amovibles. (Reportez-vous à la section « Nettoyage quotidien » pour connaître les pièces amovibles)
3. Pour enlever toute trace de résidus de l'appareil, versez 240 ml d'eau douce dans le réservoir d'eau et infusez sans mettre de café moulu ni de dosette de café jusqu'à ce que le réservoir d'eau soit vide. Répétez la même opération au moins deux fois. (Reportez-vous à la section « Infusion » pour savoir comment infuser)

Installation ou retrait de la batterie (Fig. B)

Pour installer la batterie (17), glissez le couvercle de la fente de batterie (16) pour ouvrir la fente de batterie que vous prévoyez d'utiliser ((6) pour une batterie de 18 V ou 14,4 V, (5) pour une batterie de 10,8 V - 12 V au maximum). Alignez la languette de la batterie avec la rainure du boîtier et glissez la batterie en place. Insérez-la complètement, jusqu'à ce qu'elle se verrouille avec un léger bruit sec. Si le voyant rouge (18) est visible sur la face supérieure du bouton (19), elle n'est pas parfaitement verrouillée.

Pour retirer la batterie, faites-la glisser de l'appareil tout en glissant le bouton à l'avant de la batterie.

Dispositif de protection de la batterie

L'appareil est doté d'un dispositif de protection de la batterie. Ce système coupe automatiquement le courant sur l'appareil pour prolonger la durée de service de la batterie.

L'appareil cessera automatiquement de fonctionner si l'appareil et/ou la batterie se trouvent dans l'une ou l'autre des situations suivantes :

- Surchauffe :
Si l'appareil ne démarre pas, c'est que la batterie est en surchauffe. Dans ce cas, laissez refroidir la batterie avant d'appuyer de nouveau sur l'interrupteur d'alimentation.
- Faible tension de la batterie :
Si la charge de la batterie restante est trop basse, l'appareil ne fonctionne pas. Dans ce cas, le témoin d'alimentation clignote. Retirez et rechargez la batterie.
















NOTE

- La protection contre la surchauffe ne fonctionne que si la batterie porte un symbole étoilé (Fig. J).

Indication de la charge restante de la batterie (Fig. K)

(Uniquement pour les batteries avec le voyant)

Appuyez sur le bouton de vérification (21) de la batterie pour visualiser la charge restante de la batterie. Les témoins (20) s'allument pendant quelques secondes.

Témoins			Charge restante
 Allumé	 Éteint	 Clignotant	
			75 % à 100 %
			50 % à 75 %
			25 % à 50 %
			0 % à 25 %
			Chargez la batterie.
(Uniquement pour les batteries de 18 V et 14,4 V)			
			La batterie a peut-être mal fonctionné.
			
(Uniquement pour les batteries de 18 V et 14,4 V)			


NOTE

- Suivant les conditions d'utilisation et la température ambiante, il se peut que l'indication diffère légèrement de la capacité réelle.

UTILISATION

ATTENTION

Pour réduire les risques de brûlure, suivez les instructions ci-dessous :

- Ne retirez pas le porte-filtre/porte-dosette pendant le cycle d'infusion. La vapeur s'accumule sous le porte-filtre/porte-dosette.
- Ne touchez pas la section d'infusion, indiquée par  pendant qu'elle dégage de la vapeur. (Fig. L)
- Faites attention au café chaud qui coule du bas du porte-filtre/porte-dosette, même après le cycle d'infusion.
- Lorsque l'infusion est terminée, attendez au moins 5 minutes avant de retirer le porte-filtre/porte-dosette.
- Si vous voulez commencer un autre cycle d'infusion, attendez au moins 5 minutes avant de verser de l'eau dans l'appareil. Autrement, de la vapeur et de l'eau chaude risquent d'être libérées et de vous ébouillanter.
- Ne touchez pas la plaque inférieure de l'appareil pendant l'infusion, ni juste après.

NOTE

- N'utilisez pas d'autre liquide que de l'eau pour l'infusion.
- Utilisez toujours de l'eau froide pour l'infusion. L'eau chaude favorise la vitesse d'écoulement et provoque un débordement du porte-filtre/porte-dosette.
- La capacité maximale du réservoir d'eau est de 240 ml. Ne versez pas trop d'eau dans le réservoir d'eau. L'eau en trop risque de s'écouler par l'orifice de trop-plein.

Infusion

1. Ouvrez le couvercle du réservoir d'eau et retirez le réservoir d'eau. (Fig. C)
2. Versez la quantité voulue d'eau froide dans le réservoir d'eau et remplacez-le sur l'appareil. (Fig. D)

Style	Quantité d'eau recommandée
Café moulu (6,5 g *)	160 ml
Dosette de café (type 60 mm)	120 ml

* Équivaut à un niveau de la cuillère fournie.

3. Fermez le couvercle du réservoir d'eau.
4. Retirez le porte-filtre/porte-dosette. (Fig. E)
5. Suivez les procédures ci-dessous en fonction du style de café à infuser :

Café moulu (Fig. F)

Ouvrez le couvercle. Retirez le filtre du porte-filtre. Mettez la quantité souhaitée de café moulu dans le filtre. Remplacez le filtre et fermez le couvercle.

Porte-dosette (Fig. G)

Placez une dosette de café dans le porte-dosette.

- Veillez à ce que la surface plane de la dosette de café soit orientée vers le haut.
- N'utilisez pas de dosette de café déchirée.
- Ne placez pas plus d'une dosette de café. L'eau chaude déborderait.

6. Insérez le porte-filtre/porte-dosette dans la fente de l'appareil.
Si le porte-filtre/porte-dosette ne peut pas être inséré correctement, vérifiez que le filtre/la dosette de café est placé correctement.
7. Placez le couvercle sur la tasse de café et placez-la sur le support de tasse. (Fig. H)
8. Appuyez sur l'interrupteur d'alimentation. L'interrupteur d'alimentation s'allume et le cycle d'infusion commence. (Fig. I) Une fois le cycle d'infusion terminé, l'appareil s'éteint automatiquement. Appuyez sur l'interrupteur d'alimentation si vous souhaitez arrêter une infusion en cours.

Durée d'infusion estimée (160 ml)

Batterie (complètement chargée)	Durée estimée
18 V (avec BL1830B)	environ 5 min.
14,4 V (avec BL1430B)	environ 5 min.
10,8 V (avec BL1041B)	environ 7 min.

MAINTENANCE

MISE EN GARDE

- Si l'appareil doit être réparé, confiez-le à un centre de service Makita autorisé qui utilise des pièces de rechange authentiques. L'utilisation d'autres pièces peut entraîner un danger ou endommager l'appareil.
- Pour éviter toute blessure grave, retirez toujours la batterie de l'appareil avant de le nettoyer ou d'effectuer tout travail d'entretien.
- Ne plongez pas l'appareil ni la batterie dans l'eau ou tout autre liquide.

Nettoyage quotidien

AVIS

- N'utilisez jamais d'essence, de benzine, de diluant, d'alcool ou substance similaire pour nettoyer les pièces en plastique. Il y a risque de décoloration, de déformation ou de fissures. Une fois l'appareil refroidi, utilisez des linges propres pour enlever les saletés, les poussières, l'huile, la graisse, etc.
- N'utilisez ni nettoyeurs abrasifs ni tampons à récurer.
- Ne séchez pas l'intérieur de l'appareil avec un linge, car cela pourrait laisser des peluches.

Un entretien adéquat vous permettra de profiter de votre appareil pendant de nombreuses années. Nettoyez l'appareil après chaque utilisation pour que le café garde toute sa saveur.

1. Retirez la batterie de l'appareil et laissez-le refroidir.
2. Nettoyez l'extérieur avec un linge doux humecté d'eau.
3. Retirez le porte-filtre (avec le filtre) ou le porte-dosette de l'appareil. Lavez les pièces retirées avec de l'eau savonneuse. Puis rincez-les à l'eau chaude.
4. Laissez sécher complètement l'appareil et toutes les pièces.

Retrait de tartre à l'intérieur de l'appareil

Au cours de l'utilisation de l'appareil, le tartre déposé par l'eau s'accumule dans les conduites internes. Le tartre gêne l'écoulement d'eau et prolonge donc le temps d'écoulement. Si le temps d'écoulement est plus long qu'avant, nettoyez les conduites internes avec de l'acide citrique.

1. Retirez le réservoir d'eau et versez-y 240 ml d'eau.
2. Ajoutez 5 g d'acide citrique (disponible dans le commerce) dans l'eau et mélangez.
3. Remplacez le réservoir d'eau dans l'appareil.
4. Retirez le porte-filtre/porte-dosette de l'appareil.
5. Mettez une tasse sur le support de tasse.
6. Appuyez sur l'interrupteur d'alimentation.
7. Lorsque l'écoulement est terminé, retirez le réservoir d'eau et la tasse de café, puis rincez-les à l'eau.
8. Versez 240 ml d'eau dans le réservoir d'eau et remplacez-le sur l'appareil.
9. Mettez la tasse de café sur le support de tasse.
10. Appuyez sur l'interrupteur d'alimentation et attendez que l'écoulement se termine.

Répétez les étapes 8 à 10 si vous sentez le goût ou l'odeur de l'acide citrique. Répétez les procédures ci-dessus si l'écoulement prend encore du temps.

Transport/rangement

- Utilisez la poignée pour transporter l'appareil. Lorsque vous pliez la poignée, veillez à ne pas vous pincer les doigts.
- Pour prévenir les risques d'incendie ou de brûlure, laissez refroidir complètement l'appareil avant de le transporter ou de le ranger.
- Ne rangez pas la batterie déchargée pour une période prolongée, car cela peut raccourcir sa durée de service.
- La cuillère fournie peut être rangée à l'arrière du couvercle du réservoir d'eau. Pour le rangement, glissez l'extrémité de la cuillère dans les crochets.
(Fig. M)

Pour assurer la SÉCURITÉ et la FIABILITÉ du produit, tout travail de réparation, de maintenance ou de réglage doit être confié à un centre de service Makita autorisé utilisant systématiquement des pièces de rechange Makita.

ACCESSOIRES EN OPTION

⚠ ATTENTION

- Ces accessoires ou pièces sont recommandés pour l'utilisation avec l'appareil spécifié dans ce manuel. L'utilisation de tout autre accessoire ou pièce peut comporter un risque de blessure. Utilisez l'accessoire ou la pièce uniquement dans le but indiqué.

Pour obtenir de plus amples renseignements sur ces accessoires, informez-vous auprès de votre centre de service Makita local.

- Batterie et chargeur Makita authentiques
- Dosette de café pour une machine à café Makita

NOTE

- Certains éléments qui figurent dans la liste peuvent être fournis avec l'appareil comme accessoires standard. Ils peuvent varier d'un pays à l'autre.

GARANTIE LIMITÉE MAKITA

Reportez-vous à la feuille de garantie en annexe pour connaître les conditions de garantie les plus récentes pour ce produit. Si la feuille de garantie en annexe n'est pas disponible, reportez-vous aux détails de la garantie figurant sur le site Web ci-dessous concernant votre pays.

- États-Unis : www.makitatools.com
- Canada : www.makita.ca
- Autre pays : www.makita.com

MEDIDAS DE SEGURIDAD IMPORTANTES

Cuando utilice aparatos eléctricos, siga siempre las instrucciones básicas de seguridad para reducir el riesgo de incendio, choque eléctrico y/o lesiones, incluido lo siguiente:

LEA TODAS LAS INSTRUCCIONES ANTES DE UTILIZAR ESTE APARATO.

ADVERTENCIA

Para reducir el riesgo de incendio, choque eléctrico o lesiones:

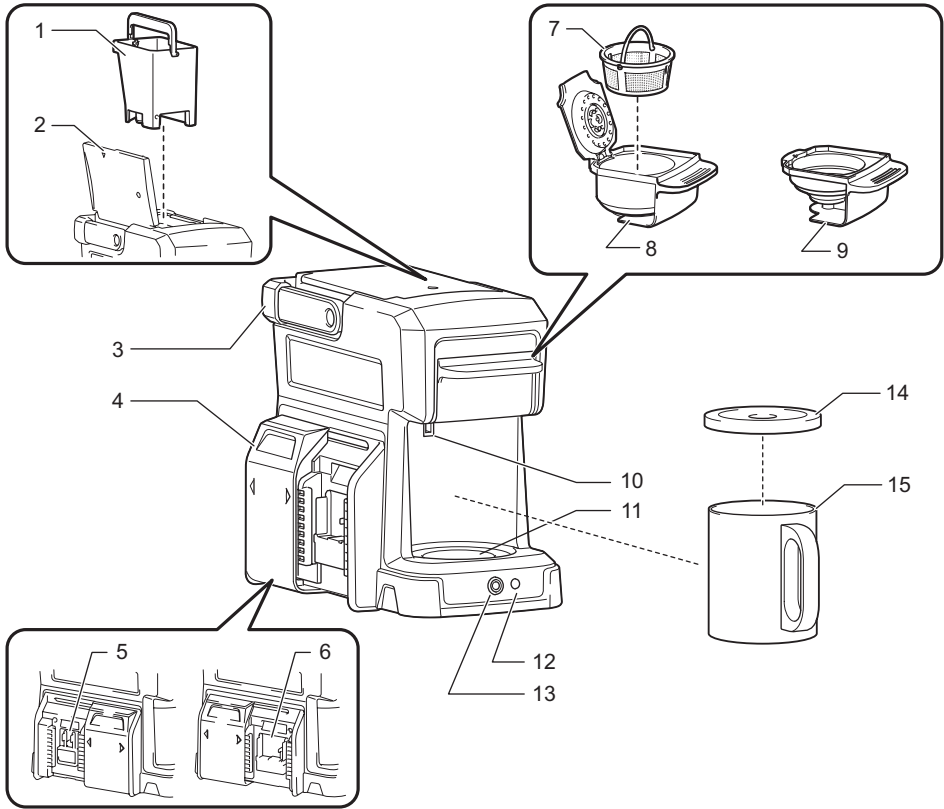
1. No toque superficies calientes. Utilice el mango.
2. Para protegerse del fuego o choque eléctrico, no sumerja los cables, enchufes ni el aparato en agua ni en ningún otro tipo de líquido.
3. Es necesario vigilar de cerca a los niños cuando usen el aparato o estén cerca del mismo. Los niños deben ser supervisados para asegurarse de que no jueguen con el aparato.
4. Quite el cartucho de batería cuando no se esté utilizando y antes de la limpieza. Permita que el aparato se enfríe antes de colocar o retirar piezas y antes de limpiarlo.
5. No utilice ningún aparato que haya dejado de funcionar correctamente, o si ha sido dañado de alguna manera. Lleve el aparato al centro de servicio autorizado más cercano para que lo revisen, reparen o ajusten.
6. El uso de accesorios no recomendados por el fabricante del aparato puede ocasionar un incendio, choque eléctrico o lesiones.
7. No lo use en exteriores.
8. No lo coloque sobre o cerca de quemadores eléctricos o de gas, o en hornos que estén calientes.
9. Coloque siempre el interruptor en la posición de apagado antes de quitar la batería.
10. No use el aparato con un fin distinto para el que fue diseñado.
11. No abra la tapa del depósito de agua durante los ciclos de preparación.
12. Puede existir riesgo de quemaduras si se retira el portafiltras o el portacápsulas de café durante los ciclos de preparación.
13. Coloque el aparato sobre una superficie dura y plana para evitar la interrupción del flujo de aire debajo del aparato.
14. ¡ADVERTENCIA! Para reducir el riesgo de incendio o choque eléctrico, no retire la cubierta inferior. No contiene piezas que el usuario pueda reparar o dar mantenimiento. El servicio y la reparación sólo deben ser realizados por un centro de servicio autorizado.
15. Desconecte el cartucho de la batería del aparato antes de hacer cualquier ajuste, cambio de accesorios, o para guardar el aparato. Estas medidas de seguridad preventivas reducen el riesgo de poner en marcha el aparato de forma accidental.
16. Asegúrese de que el interruptor esté en la posición de apagado antes de alzar o transportar el aparato. El transportar el aparato con el dedo en el interruptor podría activarlo y provocar un accidente.

17. Utilice únicamente el cargador especificado por el fabricante para recargar la batería. Utilizar un cargador diseñado para un tipo de cartucho de batería con otro tipo de cartucho puede ocasionar riesgo de incendio.
18. Use los aparatos únicamente con los cartuchos de batería indicados específicamente para estos. El uso de cualquier otro cartucho de batería puede provocar riesgo de incendio o lesiones.
19. Cuando no se esté utilizando el cartucho de batería, manténgalo alejado de otros objetos metálicos, tales como sujetapapeles, monedas, llaves, clavos, tornillos u otros objetos metálicos pequeños que puedan crear una conexión entre una terminal y la otra. Ocasionar un cortocircuito entre las terminales de la batería puede provocar quemaduras o incendio.
20. En situaciones de mal uso, puede salir líquido de la batería; evite el contacto. Enjuague con agua en caso de contacto accidental. Si el líquido entra en contacto con los ojos, busque asistencia médica adicional. El líquido que sale de la batería puede ocasionar irritaciones o quemaduras.
21. No utilice un cartucho de batería o aparato que esté dañado o alterado. Las baterías dañadas o alteradas pueden ocasionar situaciones impredecibles provocando un incendio, explosión o riesgo de lesiones.
22. No exponga aparatos o cartuchos de batería al fuego o a una temperatura excesiva. La exposición al fuego o a una temperatura superior a 130 °C (265 °F) puede ocasionar una explosión.
23. El servicio lo debe realizar una persona de servicio calificada usando únicamente piezas de reemplazo que sean idénticas. Esto garantizará que se mantenga la seguridad del producto.
24. Siga todas las instrucciones de carga y no cargue el cartucho de batería o herramienta fuera del rango de temperaturas especificado en las instrucciones. Cargar de forma incorrecta o a temperaturas fuera del rango especificado puede dañar la batería y aumenta el riesgo de incendio.
25. No intente alterar ni reparar el aparato o el cartucho de batería, excepto en lo que se indica en el manual de instrucciones para su uso y cuidado.
26. No ponga en marcha el aparato si no funciona correctamente.
27. Las reparaciones deben ser efectuadas exclusivamente por un centro de servicio autorizado.
28. Este aparato no está diseñado para ser usado por personas (incluyendo niños) con capacidades físicas, sensoriales o mentales reducidas, o que no tengan experiencia y conocimiento, a menos que estén supervisadas o hayan recibido instrucciones sobre el uso del aparato por parte de la persona responsable de su seguridad.
29. Este aparato no debe colocarse dentro un armario durante su uso.
30. Para reducir el riesgo de incendio o choque eléctrico, no retire ninguna de las tapas.
31. Este aparato está diseñado exclusivamente para uso doméstico. Para uso exclusivo en el hogar.

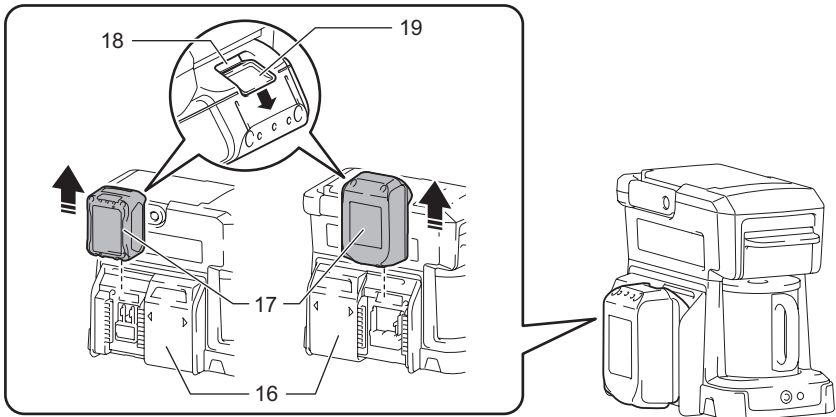
LIMPIE LA CAFETERA ANTES DE USARLA POR PRIMERA VEZ.

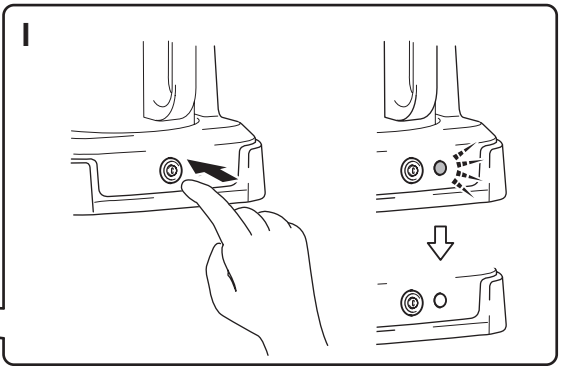
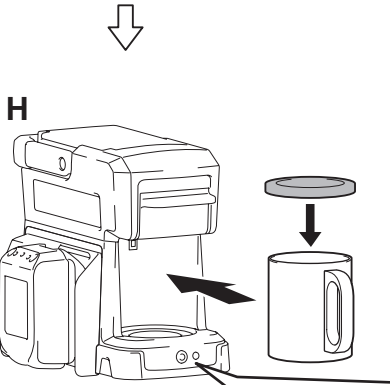
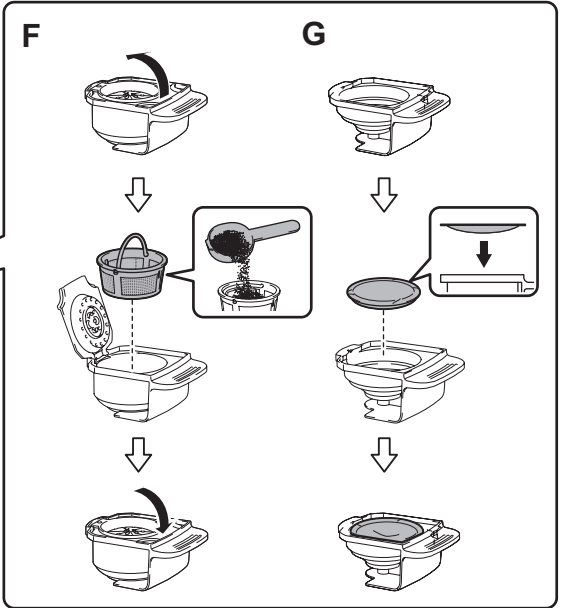
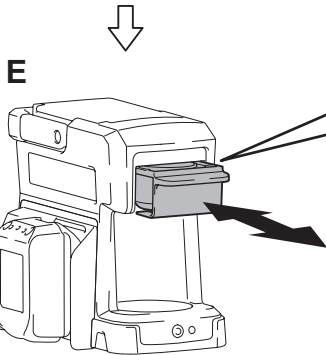
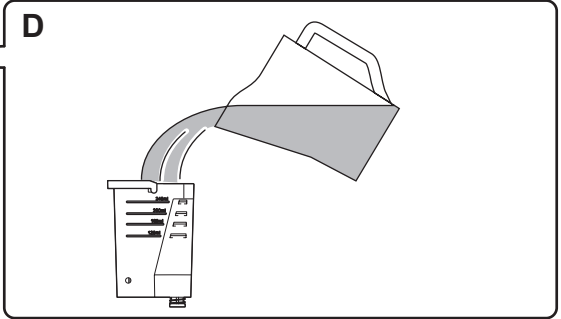
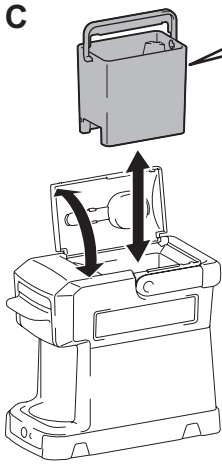
CONSERVE ESTAS INSTRUCCIONES.

A

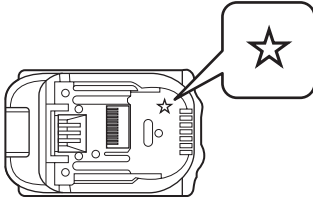


B

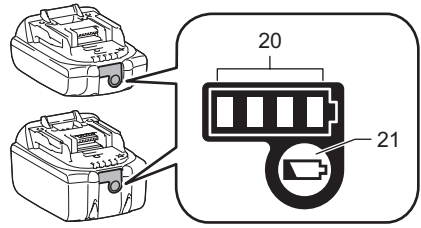




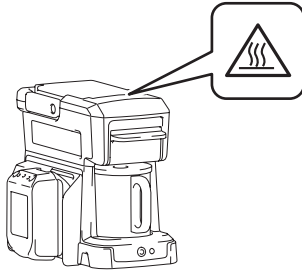
J



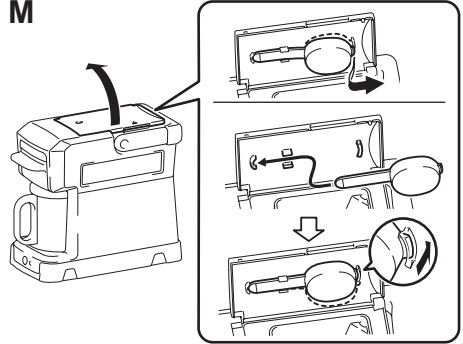
K



L



M



INSTRUCCIONES DE SEGURIDAD IMPORTANTES

PARA EL CARTUCHO DE BATERÍA

- Antes de utilizar el cartucho de batería, lea todas las instrucciones e indicaciones de precaución sobre (1) el cargador de baterías, (2) la batería, y (3) el aparato con el que se utiliza la batería.
- No desarme el cartucho de batería.
- Si el tiempo de uso del cartucho de batería se acorta demasiado, suspenda su uso de inmediato. Podría causar riesgo de sobrecalentamiento, posibles quemaduras e incluso una explosión.
- Si entra electrolito en sus ojos, enjuáguelos con agua limpia y visite a un médico inmediatamente. Existe riesgo de perder la vista.
- No cause un cortocircuito en el cartucho de batería:
 - Evite que las terminales toquen cualquier material conductor.
 - Evite guardar el cartucho de batería en un cajón junto con otros objetos metálicos, como clavos, monedas, etc.
 - No exponga el cartucho de batería al agua ni a la lluvia.

Un cortocircuito en la batería puede producir un gran circulación de corriente, sobrecalentamiento, posibles quemaduras e incluso una avería de la misma.
- No guarde el aparato y el cartucho de batería en lugares donde la temperatura pueda alcanzar o exceder los 50 °C (122 °F).
- Nunca incinere el cartucho de batería incluso en el caso de que esté dañado seriamente o ya no sirva en absoluto. El cartucho de batería puede explotar en el fuego.
- Tenga cuidado de no dejar caer ni golpear el cartucho de batería.
- No utilice una batería dañada.
- Las baterías de litio incluidas están sujetas a los requisitos de la Legislación sobre Mercancías Peligrosas. Deberán cumplirse los requisitos especiales sobre el empaque y etiquetado en los medios de transporte comerciales, como por ejemplo por parte de terceros y agentes de transporte. Es necesario consultar a un experto en materiales peligrosos para preparar el envío del producto. Tome en cuenta además las reglamentaciones del país, las cuales posiblemente podrían ser más específicas. Coloque cinta o cubra los contactos abiertos, y coloque la batería dentro del empaque de forma tal que permanezca fija.
- Cumpla con la reglamentación local referente al desecho de la batería.
- Use las baterías exclusivamente con los productos especificados por Makita. La instalación de las baterías en productos que no cumplen con las características puede provocar un incendio, calor excesivo, explosión o derrame de electrolito.

CONSERVE ESTAS INSTRUCCIONES.

PRECAUCIÓN

Use **solamente baterías Makita**. El uso de baterías no originales de Makita, o baterías que hayan sido alteradas, puede provocar que la batería explote ocasionando incendios, lesiones personales y daños. También invalidará la garantía de Makita para la herramienta y cargador Makita.

Consejos para alargar al máximo la vida de servicio de la batería

- Cargue el cartucho de batería antes de que se descargue por completo. Detenga siempre la operación y cargue el cartucho de batería cuando note menos potencia en el aparato.
- No cargue nunca un cartucho de batería que ya esté completamente cargado. La sobrecarga acortará la vida de servicio de la batería.
- Cargue el cartucho de batería a una temperatura ambiental de 10 °C – 40 °C (50 °F – 104 °F). Si un cartucho de batería está caliente, déjelo enfriar antes de cargarlo.
- Cargue el cartucho de batería una vez cada seis meses si no lo utiliza durante un periodo de tiempo prolongado.

Símbolos

A continuación se muestran los símbolos utilizados para el aparato. Asegúrese de que entiende sus significados antes de utilizar el aparato.



Voltaje peligroso



Prestar atención



Superficie caliente - quemaduras en dedos o manos.

ESPECIFICACIONES

DCM501		
Voltaje nominal y cartuchos de batería correspondientes	18 V CC	BL1815N, BL1820B, BL1830, BL1830B, BL1840B, BL1850B, BL1860B
	14,4 V CC	BL1430B
	10,8 V - 12 V máx.	BL1041B
Cargador	18 V CC	DC18RC, DC18RD, DC18RE, DC18SD, DC18SE, DC18SF
	14,4 V CC	
	10,8 V - 12 V máx.	DC10SB, DC10WD, DC18RE
Capacidad del depósito de agua	240 ml	
Función de mantener caliente	No	
Tipo de cápsulas de café individuales	60 mm	
Dimensiones (la/an/al)	243 x 145 x 218 mm (9-9/16" x 5-11/16" x 8-9/16") (sin el cartucho de batería)	
Peso	1,4 kg (3,0 lbs) (sin el cartucho de batería)	

- Los siguientes cartuchos de batería pueden ser instalados en este aparato; sin embargo, la cantidad total de café será menos de una taza.
BL1021B : aprox. 140 ml
BL1016 : aprox. 100 ml
- Debido a nuestro continuo programa de investigación y desarrollo, las especificaciones indicadas aquí están sujetas a cambio sin previo aviso.
- Las especificaciones y el cartucho de batería pueden variar de un país a otro.

ADVERTENCIA

Utilice únicamente los cartuchos de batería especificados arriba. El uso de cualquier otro cartucho de batería puede provocar un incendio o lesiones.

IDENTIFICACIÓN DE LAS PARTES (Fig. A)

1. Depósito de agua
2. Tapa del depósito
3. Mango
4. Cubierta de la ranura para batería
5. Ranura para batería (para cartucho de batería de 10,8 V - 12 V máx.)
6. Ranura para batería (para cartucho de batería de 18 V y 14,4 V)
7. Filtro
8. Portafiltros
9. Portacápsulas individuales de café
10. Abertura de desbordamiento
11. Posatazas
12. Luz de encendido
13. Interruptor de alimentación
14. Cubierta para taza
15. Taza

PREPARACIÓN

PRECAUCIÓN

- Apague siempre el aparato antes de instalar o extraer el cartucho de batería.
- Sujete con firmeza la parte superior del aparato y el cartucho de batería cuando instale o extraiga el cartucho de batería. De no hacerlo, estos podrían caerse de las manos y ocasionar daños al aparato y al cartucho de batería, así como lesiones.
- Instale siempre el cartucho de batería completamente hasta que no pueda verse el indicador rojo. En caso contrario, podrá caerse accidentalmente del portabaterías, ocasionándole heridas a usted o a alguien que esté cerca de usted.
- No instale el cartucho de batería empleando fuerza. Si el cartucho no se desliza hacia el interior fácilmente, es porque no se está colocando de forma correcta.
- Instale siempre la batería en la ranura adecuada según el cartucho de batería que utilizará.

Cuando utilice el aparato por primera vez, o después de un largo período de almacenamiento, realice los pasos siguientes:

1. Retire todos los materiales de empaque del aparato.
2. Limpie el exterior del aparato y lave todos los componentes desmontables. (Consulte la sección de "Limpieza diaria" para conocer las partes desmontables).

3. Para retirar cualquier residuo del aparato, vierta 240 ml de agua limpia en el depósito de agua y haga como si preparara café sin añadir café molido en el filtro hasta que el depósito de agua esté vacío. Repita el mismo procedimiento al menos dos veces. (Consulte la sección "Preparación de café").

Instalación o extracción del cartucho de batería (Fig. B)

Para instalar el cartucho de batería (17), deslice la cubierta de la ranura para batería (16) para abrir la ranura para batería que utilizará ((6) para cartucho de batería de 18 V o 14,4 V, (5) para cartucho de batería de 10,8 V - 12 V máx.). Alinee la lengüeta del cartucho de batería con la ranura de la carcasa y deslícelo hasta que encaje en su sitio. Insértelo a tope hasta que se bloquee en su sitio produciendo un pequeño chasquido. Si puede ver el indicador rojo (18) en el lado superior del botón (19), no estará fijado completamente.

Para extraer el cartucho de batería, deslícelo del aparato a la vez que desliza el botón de la parte frontal del cartucho.

Sistema de protección de la batería

El aparato está equipado con un sistema de protección de la batería. Este sistema corta automáticamente la alimentación del aparato para alargar la vida útil de la batería.

El aparato se detendrá automáticamente durante la operación si el aparato y/o la batería presentan una de las condiciones siguientes:

- Sobrecalentamiento:
Si el aparato no se pone en marcha, la batería está sobrecalentada. En este caso, deje que la batería se enfríe antes de presionar el interruptor de alimentación otra vez.
- Tensión baja en la batería:
Si la capacidad restante de la batería es muy baja, el aparato no funcionará. La luz de encendido parpadea en este caso. Extraiga la batería y vuelva a cargarla.

NOTA

- La protección contra el sobrecalentamiento funciona solamente con un cartucho de batería con marca de estrella (Fig. J).

Indicación de la capacidad restante de la batería (Fig. K)

(Solamente para cartuchos de batería que tengan el indicador).

Oprima el botón de verificación (21) en el cartucho de batería para indicar la capacidad restante de la batería. Las luces indicadoras (20) se encenderán durante algunos segundos.

Luces indicadoras			Capacidad restante
Encendida	Apagada	Parpadeando	
			75 % a 100 %
			50 % a 75 %
			25 % a 50 %
			0 % a 25 %
			Cargue la batería. (Únicamente para baterías de 18 V y 14,4 V)
			Posible falla de la batería. (Únicamente para baterías de 18 V y 14,4 V)

NOTA

- Dependiendo de las condiciones de uso y la temperatura ambiente, la indicación puede variar ligeramente de la capacidad real.

OPERACIÓN

PRECAUCIÓN

Para reducir el riesgo de quemaduras, siga las instrucciones a continuación:

- No retire el portafiltros o el portacápsulas de café durante el ciclo de preparación. El vapor se forma debajo del portafiltros o el portacápsulas de café.
- Evite tocar la parte de preparación de café marcada con cuando observe vapor en esta. (Fig. L)
- Tome en cuenta que el café caliente continúa goteando desde el fondo del portafiltros o del portacápsulas de café incluso después de que ha finalizado el ciclo de preparación.
- Después de completar la preparación de café, espere al menos 5 minutos antes de retirar el portafiltros o portacápsulas de café.
- Si va a comenzar otro ciclo de preparación de café, espere al menos 5 minutos antes de verter agua fría. De lo contrario, podría arrojar vapor y agua caliente y ocasionar quemaduras.
- No toque la placa inferior del aparato durante el ciclo de preparación de café e ni inmediatamente después de este.

NOTA

- Use exclusivamente agua para preparar el café.
- El agua para preparar el café deberá estar siempre fría. El agua caliente acelera la velocidad de goteo y causa que el líquido se desborde en el portafiltros o portacápsulas de café.
- La capacidad máxima del depósito de agua es de 240 ml. No vierta demasiada agua en el depósito. Esto podría provocar que el agua se derrame por la abertura de desbordamiento.

Preparación de café

- Abra la tapa del depósito de agua y saque el depósito de agua. (Fig. C)
- Vierta la cantidad de agua fría que desee en el depósito de agua y vuelva a instalarlo. (Fig. D)

Tipo de café	Cantidad de agua recomendada
Café molido (6,5 g *)	160 ml
Cápsula individual de café (tipo 60 mm)	120 ml

* Equivale al nivel de la cuchara que viene incluida.

- Cierre la tapa del depósito de agua.
- Quite el portafiltros o portacápsulas de café. (Fig. E)
- Siga los procedimientos a continuación dependiendo del tipo de café que utilizará:

Café molido (Fig. F)

Abra la cubierta. Saque el filtro del portafiltros. Añada en el filtro la cantidad de café molido deseada. Vuelva a colocar el filtro en su lugar y cierre la cubierta.

Cápsulas individuales de café (Fig. G)

Coloque una cápsula individual de café en el portacápsulas de café.

- Asegúrese que la superficie plana de la cápsula individual de café esté colocada hacia arriba.
 - No utilice una cápsula individual de café que esté rota.
 - No utilice dos o más cápsulas de café individuales; de lo contrario, el agua caliente se derramará.
- Introduzca el portafiltros o portacápsulas de café en la ranura del aparato. Si no es posible introducir de forma correcta en la ranura el portafiltros o portacápsulas de café, verifique que esté bien instalado el filtro o la portacápsulas de café.
 - Tape la taza con la cubierta y colóquela en el posatazas. (Fig. H)
 - Presione el interruptor de alimentación. La luz de encendido se ilumina y comienza el ciclo de preparación de café. (Fig. I) Cuando termine el ciclo de preparación de café, el aparato se apagará automáticamente. Para detener la preparación de café, presione el interruptor de alimentación.

Tiempo estimado de preparación de café (160 ml)

Cartucho de batería (carga completa)	Tiempo estimado
18 V (con BL1830B)	aprox. 5 min.
14,4 V (con BL1430B)	aprox. 5 min.
10,8 V (con BL1041B)	aprox. 7 min.

MANTENIMIENTO

ADVERTENCIA

- Cuando sea necesario un servicio de mantenimiento, solicítelo a un centro de servicio autorizado por Makita que cuente con piezas de repuesto originales. El uso de otro tipo de piezas podría ocasionar riesgos o daños al producto.
- Para evitar lesiones graves, retire siempre el cartucho de batería de la unidad cuando la vaya a limpiar o realizar cualquier mantenimiento.
- No sumerja el aparato o la batería en agua ni en otros líquidos.

Limpeza diaria

AVISO

- Nunca utilice gasolina, bencina, solvente, alcohol o similares cuando limpie partes de plástico. Podría ocasionar decoloración, deformación o grietas. Después de que el aparato se enfríe, utilice paños limpios para quitar suciedad, polvo, aceite, grasa, etc.
- No utilice productos de limpieza abrasivos ni estropajos.
- No seque el interior del depósito de agua con un paño, ya que podría quedar pelusa.

Una limpieza apropiada asegurará años de servicio para su aparato. Limpie el aparato después de cada uso para mantener la calidad del sabor del café.

1. Retire la batería del aparato y deje que el aparato se enfríe.
2. Limpie el exterior con un paño suave humedecido con agua.
3. Retire del aparato el portafiltros (con el filtro) o el portacápsulas de café. Lávelos en agua caliente con jabón y después enjuáguelos con agua.
4. Deje que el aparato y todas las partes se sequen completamente.

Eliminación del sarro dentro del aparato

Con el uso del aparato, se forma sarro por el agua en los conductos internos. El sarro del agua obstaculiza el flujo del líquido y como resultado se alarga el tiempo de goteo. Si el tiempo de goteo ha aumentado, realice una limpieza en los conductos internos, utilizando para ello ácido cítrico.

1. Saque el depósito de agua y vierta 240 ml de agua en el mismo.
2. Agregue al agua 5 g de ácido cítrico en su presentación comercial y mézclelo.
3. Instale de vuelta el depósito de agua en el aparato.
4. Retire del aparato el portafiltros o el portacápsulas de café.
5. Coloque una taza en el posatazas.
6. Presione el interruptor de alimentación.
7. Cuando haya terminado el goteo, tome el depósito de agua y la taza, y enjuáguelos con agua.
8. Vierta 240 ml de agua fría en el depósito de agua y vuelva a instalarlo.

9. Coloque una taza en el posatazas.

10. Presione el interruptor de alimentación y espere a que termine el goteo.

Repita los pasos 8 al 10 si percibe un sabor u olor de ácido cítrico. Repita los procedimientos anteriores si el goteo sigue siendo lento.

Transporte y almacenamiento

- Utilice el mango al transportar el aparato. Tenga cuidado de no pellizcarse los dedos al doblar el mango.
- Para evitar un incendio o quemaduras, deje que el aparato se enfríe completamente antes de almacenarlo.
- No almacene una batería descargada durante largos períodos de tiempo, porque podrá acortarse su vida de servicio.
- Puede almacenar en la parte posterior de la cubierta del depósito de agua la cuchara que viene incluida. Para almacenarla, deslice el extremo de la cuchara hacia los ganchos. (**Fig. M**)

Para mantener la SEGURIDAD y FIABILIDAD del producto, las reparaciones, y cualquier otro mantenimiento o ajuste deberán ser realizados en centros de servicio autorizados por Makita, empleando siempre repuestos de Makita.

ACCESORIOS OPCIONALES

PRECAUCIÓN

- Estos accesorios o acoplamientos están recomendados para usarse con el aparato especificado en este manual. El uso de cualquier otro accesorio o acoplamiento podría ocasionar lesiones. Utilice los accesorios o acoplamientos solamente para el propósito que han sido diseñados.

Si necesita cualquier tipo de asistencia para obtener más detalles en relación con estos accesorios, pregunte al centro de servicio Makita local.

- Batería y cargador originales de Makita
- Cápsulas de café individuales para cafetera Makita

NOTA

- Algunos elementos de la lista podrán estar incluidos en el paquete del aparato como accesorios de serie. Pueden variar de un país a otro.

GARANTÍA LIMITADA DE MAKITA

Consulte la hoja anexa de garantía para conocer los términos de garantía vigentes para este producto. Si no cuenta con la hoja anexa de garantía, consulte los detalles de la garantía establecidos en los siguientes sitios web para su país.

- Estados Unidos: www.makitatools.com
- Canadá: www.makita.ca
- Otros países: www.makita.com

Makita Corporation

3-11-8, Sumiyoshi-cho,

Anjo, Aichi 446-8502 Japan

www.makita.com

DCM501-NA3-1812