



KERDI-DRAIN-F

Drain Body Outlet: ABS, PVC and Stainless Steel - **ICC-ES PMG-1204**

KERDI-DRAIN-F is a floor drain specifically designed to allow connection to Schluter®-DITRA and Schluter®-DITRA-HEAT uncoupling membranes in floor applications. KERDI-DRAIN-F features a flat, narrow bonding flange to allow for placement against walls or in corners on floors. KERDI-DRAIN-F in polypropylene features a 2" (50 mm) outlet that allows for either an ABS or PVC drain connection. KERDI-DRAIN-F in stainless steel is available with a 2" (50 mm) no-hub or threaded outlet. It can be combined with virtually any KERDI-DRAIN grate assembly, with the exception of the tileable grate and the 6" (150 mm) square and round grates. *KERDI-DRAIN grate assembly sold separately.

Schluter®-KERDI-DRAIN-F

Material	Size	Connection Type	Item No.	Select
Polypropylene	2" (50 mm)	NPT Solvent weld	KDF2FL	
Stainless steel		No-hub	KDF2EFL	
Stainless steel		Threaded	KDF2ETHFL	

Also included:



Construction cover
Protects the KERDI collar and prevents debris from falling into the drain.



Vertical height adjustment collar
Compatible with virtually all designs of 4" KERDI-DRAIN grates, sold separately.

Note: not suitable for use with the tileable grate or 6" grates.

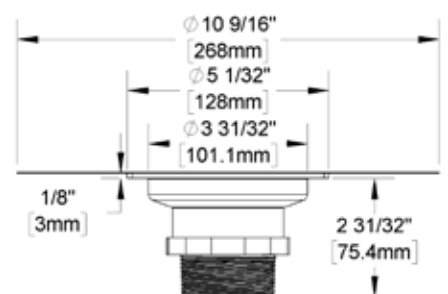
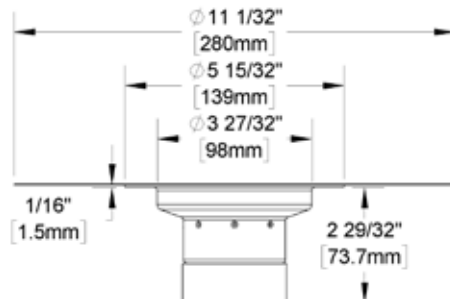
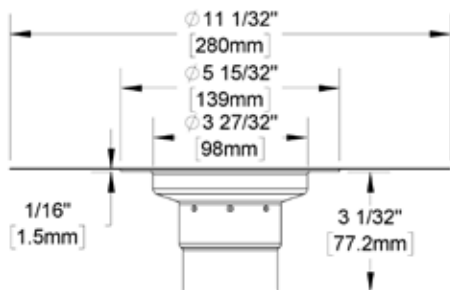
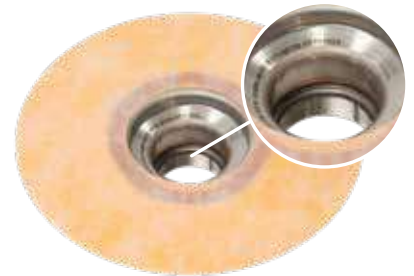
Polypropylene

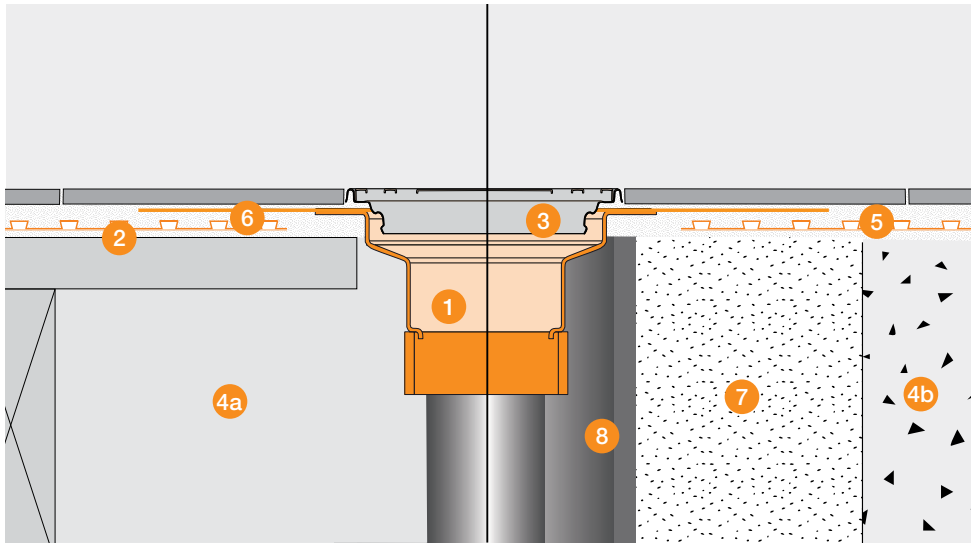


Stainless steel with no-hub outlet



Stainless steel with threaded outlet





- 1 Schluter®-KERDI-DRAIN-F Flange
- 2 Schluter®-DITRA (shown) or DITRA-XL/
DITRA-HEAT/DITRA-HEAT-DUO
- 3 Schluter®-KERDI-DRAIN grate
assembly (sold separately)
- 4 Subfloor
a) Wood
b) Concrete
- 5 Schluter ALL-SET® thin-set mortar
- 6 Schluter®-KERDI membrane collar
- 7 Mortar bed or concrete
- 8 Pipe coupling or similar

Installation Note:

Do not exceed maximum core hole size as required for the specified KERDI-DRAIN. Locate and cut or core a hole in the substrate for the drain outlet and coupling to the waste line using the template provided. Limit the diameter of the hole to 5" (125 mm) maximum to ensure proper support for the tile assembly.

Listings and Certifications

KERDI-DRAIN-F is listed by ICC-ES (Report No. PMG-1204), UPC® and CSA.

See **Floor Drains technical data sheet** for more information on KERDI-DRAIN-F, including installation instructions and KERDI-DRAIN grates.

For a complete offering of materials and SKUs, please visit www.schluter.com. This specification sheet is subject to change without notice. Please visit www.schluter.com for the latest version.