

# **BEAST<sup>®</sup>**

## **B+BTEC**

MTC30

MTC37

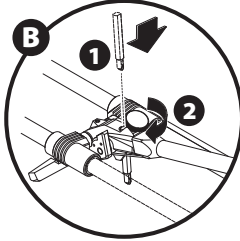
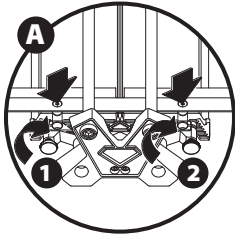


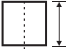

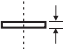
---

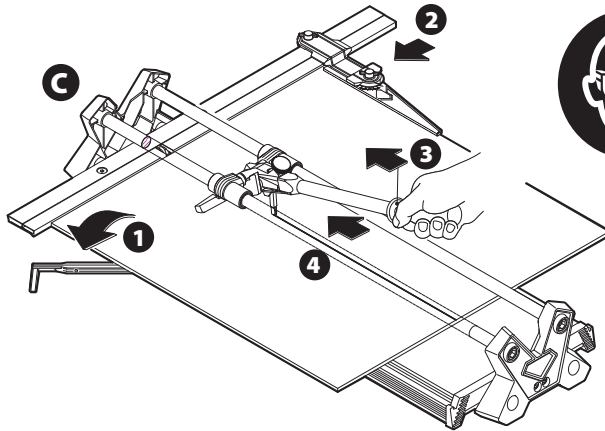
**OPERATING MANUAL**

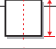
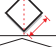
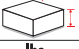


---

# BEAST MTC30 - MTC37

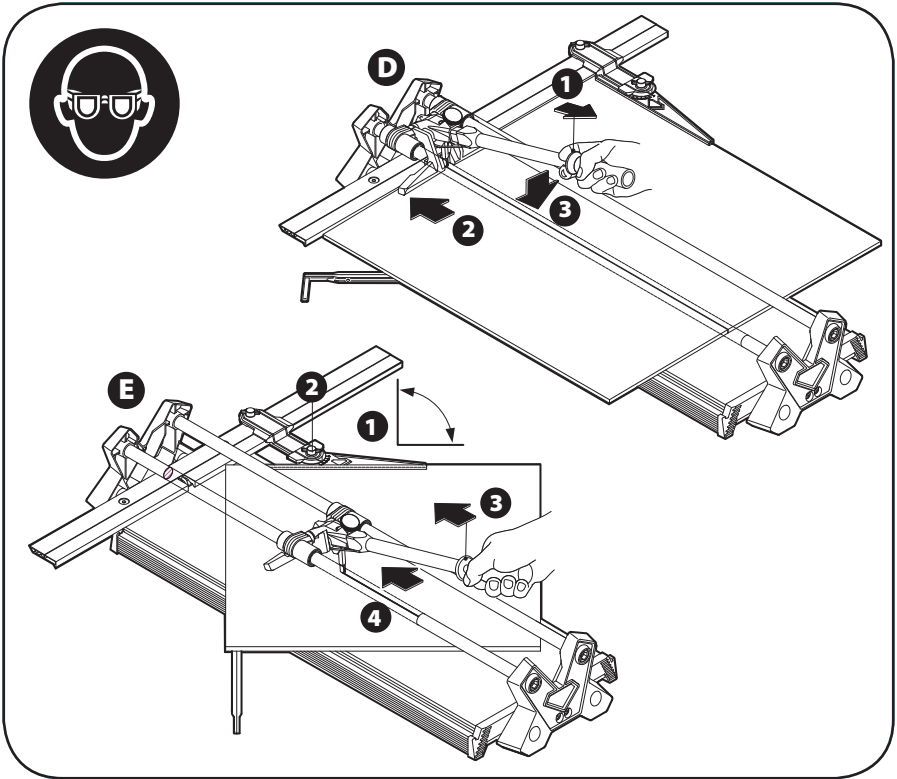


	<b>30</b>	<b>37</b>
 max.	30" 75 cm	37" 95 cm
 max.	21" 53 mm	26" 67 mm
	max. 7/8" max. 20 mm	






	<b>BEAST® MTC30</b>	<b>BEAST® MTC37</b>
LPI #	BEASTMTC30	BEASTMTC37
 max.	30"	37"
 max.	21"	26"
	1/4" - 7/8"	1/4" - 7/8"
 lbs	3.300 lbs	3.300 lbs
L x W x H	38" x 12 1/2" x 6 1/4"	46" x 12 1/2" x 6 1/4"
 lbs	25,3 lbs	28,6 lbs

# BEAST MTC30 - MTC37



**BSW**  
**Scoring Wheel**

**BSWT Titanium**  
**Scoring Wheel**

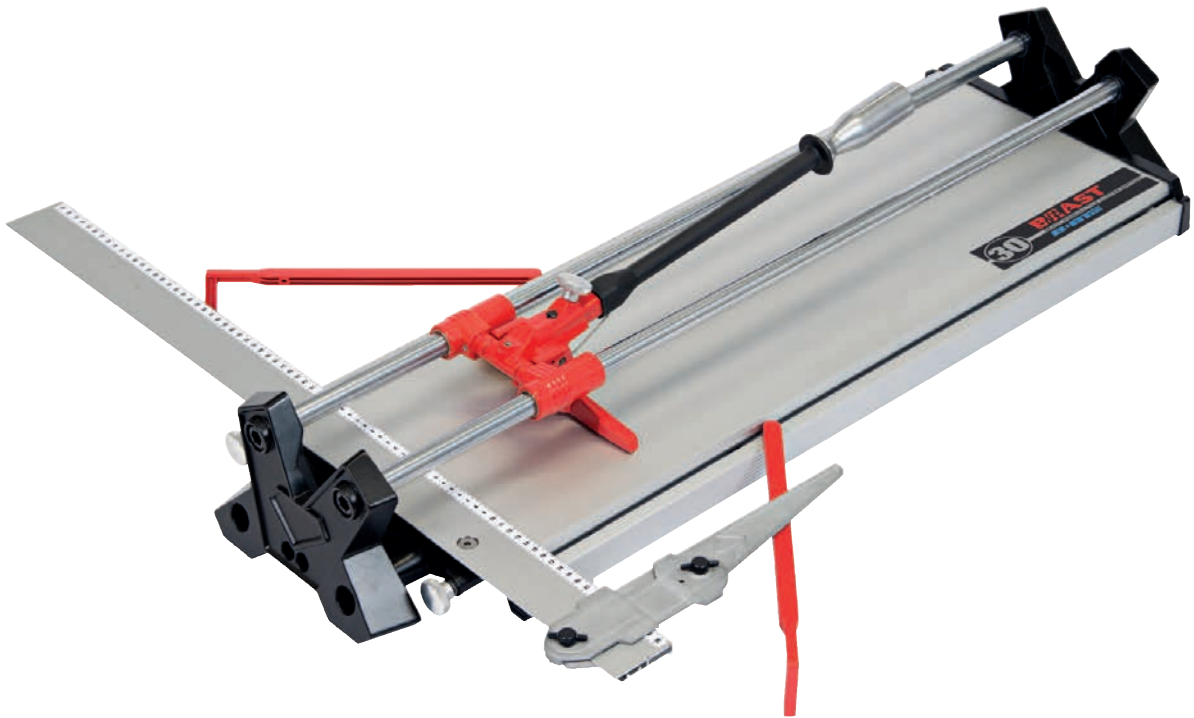
 1/4"	BSW14	-
 3/8"	BSW38	BSW38T
 3/4"	BSW34	BSW34T



# BEAST<sup>®</sup>

## B+BTEC

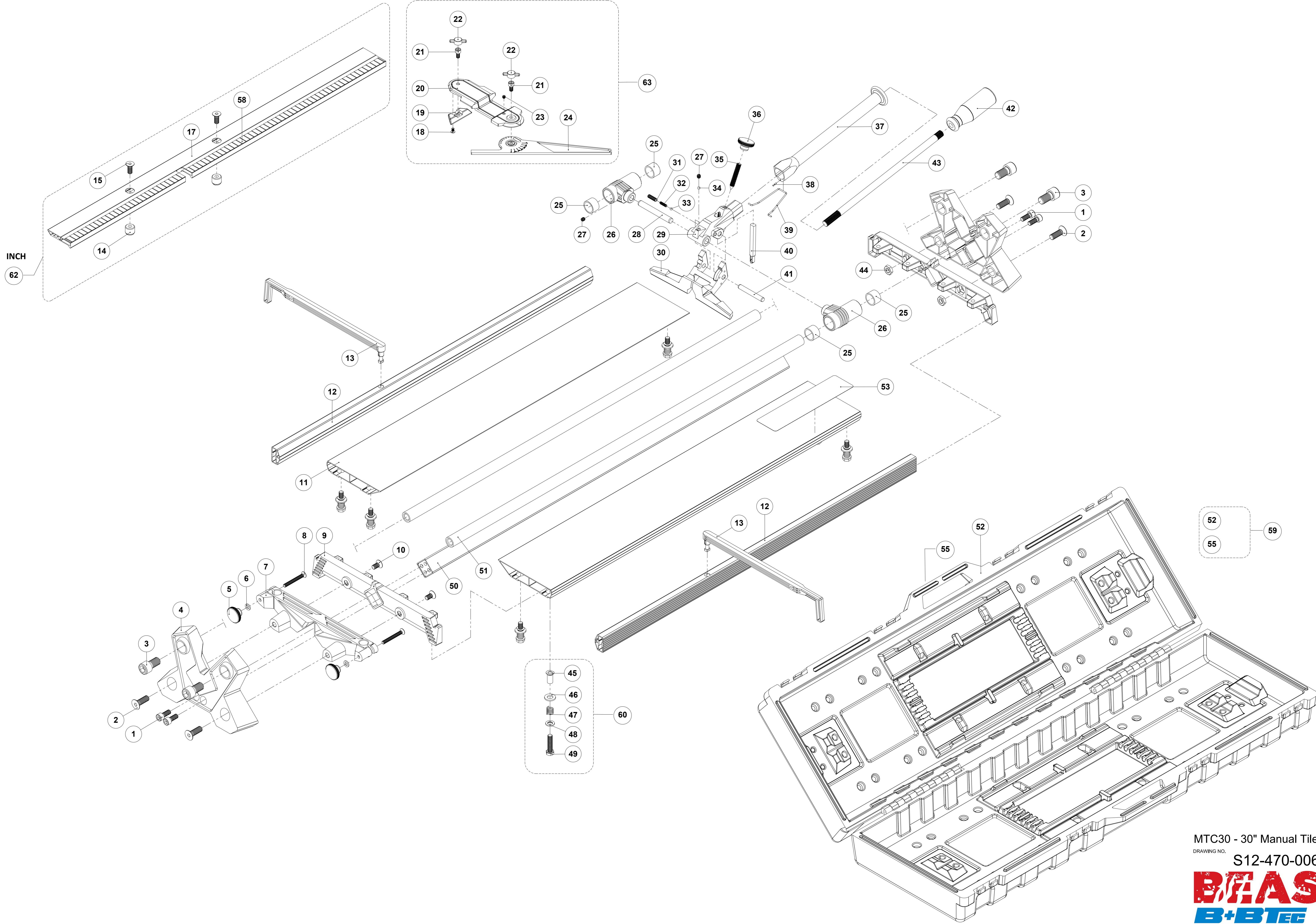
MTC/Manual Tile Cutter



---

## PARTS LISTS & DIAGRAMS

---

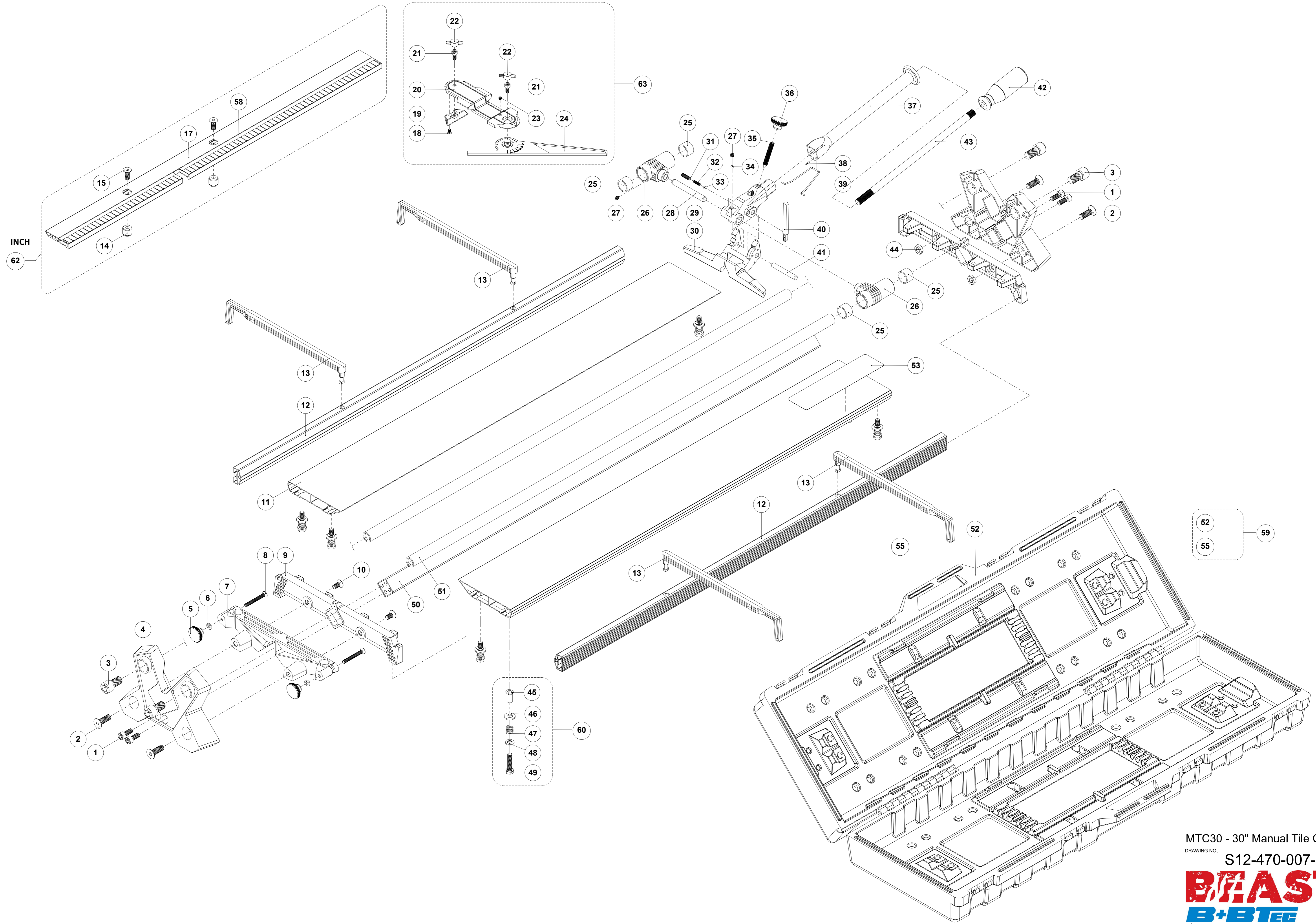


MTC30 - 30" Manual Tile Cutter  
 DRAWING NO. S12-470-006-01  
**BEAST**  
 B+BTEC

# Parts list Beast MTC30 - 30" Manual Tile Cutter

2.000.206

Pos. #	Art. code	Description	Pos. #	Art. code	Description
01	4 6.508.371	Sockethead	43	1 4.050.015	Lever
02	4 6.508.081	Screw	44	1 6.503.003	Nut
03	4 6.508.083	Sockethead screw	45	8 6.000.132	Spring clip
04	2 6.000.118	End piece	46	8 6.505.031	Flat washer
05	2 6.005.793	Knurled knob	47	8 6.501.003	Spring
06	2 6.505.028	Flat washer	48	8 6.505.266	Flat washer
07	1 6.000.121	Clamping piece	49	8 6.508.017	Hex. Bolt
08	2 6.508.084	Screw	50	1 6.000.133	Pressure sleeve
09	1 6.000.119	Cover	51	2 6.000.109	Sliding tube
10	2 6.508.481	Screw	52	1 6.000.135	Case
11	2 6.000.120	Breaker plate	60	1 6.000.114	Spring package A
12	2 6.000.130	Support profile	62	1 6.000.117	Ruler complete (inch)
13	2 6.000.111	Tile support	63	1 6.000.113	Stop (completely)
14	2 6.000.128	Clamping bush			
15	2 6.508.086	Screw			
16	1 6.000.144	Ruler			
18	1 6.508.087	Screw			
19	1 6.000.123	Stop clamp			
20	1 6.000.122	Stop			
21	2 6.508.805	Sockethead screw			
22	2 6.509.026	Wing Nut			
23	1 6.508.088	Socket screw			
24	1 6.000.124	Rotatable stop			
25	4 6.504.152	Bearing bush			
26	2 6.000.129	Bearing housing			
27	2 6.508.089	Socket screw			
28	1 6.507.003	Pin			
29	1 6.000.126	Cutting wheel clip			
30	1 6.000.127	Breaker			
31	1 6.508.009	Socket screw			
32	1 4.050.006	Spring			
33	1 6.504.191	Ball			
34	1 6.504.001	Ball			
35	1 6.000.136	Stud clamp			
36	1 6.005.792	Knurled knob			
37	1 4.050.135	Pull rod			
38	1 6.507.075	Pin			
39	1 6.000.131	Spring			
40	1 2.000.209	BSW38 - Scoring Wheel 3/8"			
41	1 6.507.013	Pin			
42	1 4.050.047	Handle			



MTC30 - 30" Manual Tile Cutter  
 DRAWING NO. S12-470-007-01  
**BEAST**  
 B+BTEC



# Parts list Beast MTC37 - 37" Manual Tile Cutter

2.000.207

Pos. #	Art. code	Description	Pos. #	Art. code	Description
01	4 6.508.371	Sockethead	43	1 4.050.015	Lever
02	4 6.508.081	Screw	44	1 6.503.003	Nut
03	4 6.508.083	Sockethead screw	45	8 6.000.132	Spring clip
04	2 6.000.118	End piece	46	8 6.505.031	Flat washer
05	2 6.005.793	Knurled knob	47	8 6.501.003	Spring
06	2 6.505.028	Flat washer	48	8 6.505.266	Flat washer
07	1 6.000.121	Clamping piece	49	8 6.508.017	Hex. Bolt
08	2 6.508.084	Screw	50	1 6.000.146	Pressure sleeve
09	1 6.000.119	Cover	51	2 6.000.147	Sliding tube
10	2 6.508.481	Screw	52	1 6.000.135	Case
11	2 6.000.142	Breaker plate	60	1 6.000.114	Spring package A
12	2 6.000.143	Support profile	62	1 6.000.117	Ruler complete (inch)
13	4 6.000.111	Tile support	63	1 6.000.113	Stop (completely)
14	2 6.000.128	Clamping bush			
15	2 6.508.086	Screw			
16	1 6.000.144	Ruler			
18	1 6.508.087	Screw			
19	1 6.000.123	Stop clamp			
20	1 6.000.122	Stop			
21	2 6.508.805	Sockethead screw			
22	2 6.509.026	Wing Nut			
23	1 6.508.088	Socket screw			
24	1 6.000.124	Rotatable stop			
25	4 6.504.152	Bearing bush			
26	2 6.000.129	Bearing housing			
27	2 6.508.089	Socket screw			
28	1 6.507.003	Pin			
29	1 6.000.126	Cutting wheel clip			
30	1 6.000.127	Breaker			
31	1 6.508.009	Socket screw			
32	1 4.050.006	Spring			
33	1 6.504.191	Ball			
34	1 6.504.001	Ball			
35	1 6.000.136	Stud clamp			
36	1 6.005.792	Knurled knob			
37	1 4.050.135	Pull rod			
38	1 6.507.075	Pin			
39	1 6.000.131	Spring			
40	1 2.000.209	BSW38 - Scoring Wheel 3/8"			
41	1 6.507.013	Pin			
42	1 4.050.047	Handle			