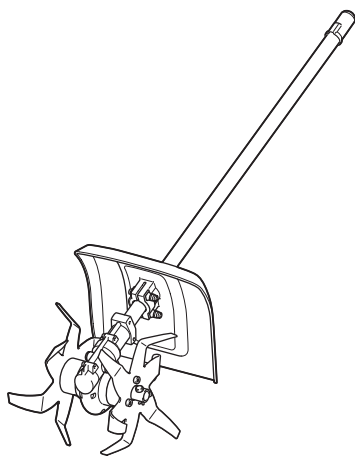


ORIGINAL INSTRUCTION MANUAL
MANUEL D'INSTRUCTIONS
ORIGINAL
MANUAL DE INSTRUCCIONES
ORIGINALES



Cultivator Attachment Tête Moto-Bineuse Accesorio para Cultivador KR401MP



IMPORTANT: Read Before Using.

IMPORTANT : Lire avant usage.

IMPORTANTE: Lea antes de usar.

SPECIFICATIONS

Model:	KR401MP
Dimensions: length x width x height (with rotor blade)	933 mm x 235 mm x 256 mm (36-3/4" x 9-1/4" x 10-1/8")
Net weight	3.2 kg (7.0 lbs)
Cultivating width	220 mm (8-5/8")
Outer diameter of the rotor blade	220 mm (8-5/8")
Gear ratio	1/43

- Due to our continuing program of research and development, the specifications herein are subject to change without notice.
- Specifications may differ from country to country.

Approved power unit








This attachment is approved to use only with the following power unit(s):

- EX2650LH Multi Function Power Head
- BUX360, BUX361, BUX362, UX360D, UX361D, UX362D, DUX60, XUX01 Cordless Multi Function Power Head

⚠ WARNING: Never use the attachment with non-approved power unit. Non-approved combination may cause serious injury.

Symbols

The following symbols are used on the attachment and this instruction manual. Understand these definitions.

	Take Particular care and attention!
	Read instruction manual.
	Wear protective helmet, eye and ear protection!
	Wear sturdy boots with nonslip soles. Steelted safety boots are recommended!
	Keep your body clear of rotating blades.
	Keep bystanders at least 5 m (17 ft) away.
	Hot surfaces - Burns to fingers or hands.

Intended use

This attachment is designed for only the purpose of cultivating soil in conjunction with an approved power unit. Never use the attachment for other purposes. Abusing the attachment may cause serious injury.

SAFETY WARNINGS

Cultivator safety warnings

⚠ WARNING: Read all safety warnings, instructions, illustrations and specifications provided with this machine as well as the instruction manual of the power unit before using. Failure to follow all instructions listed below may result in fire and/or serious injury to the operator and/or bystanders.

Save all warnings and instructions for future reference.

The term "cultivator" and "machine" in the warnings and precautions refer to the combination of the attachment and the power unit.

The term "motor" in the warnings and precautions refers to the engine or electric motor of the power unit.

General safety

1. **First-time or inexperienced operator should ask the dealer for training in all operation of the machine. Never allow children, persons with reduced physical, sensory or mental capabilities or lack of experience and knowledge or people unfamiliar with the instructions to use the machine.**
2. **It is recommended only to lend the machine to people who have proven to be experienced. Always hand over the instruction manual.**
3. **Stay alert, watch what you are doing and use common sense when operating the machine. Do not use the machine while you are tired, ill, or under the influence of drugs, alcohol or medication. A moment of inattention while operating the machine may result in serious personal injury.**
4. **Avoid using the machine in bad weather conditions especially when there is a risk of lightning.**
5. **Follow your national and local regulation for use of outdoor power machines.**
6. **Never attempt to modify the machine.**
7. **Keep in mind that the operator or user is responsible for accidents or hazards occurring to other people or their property.**

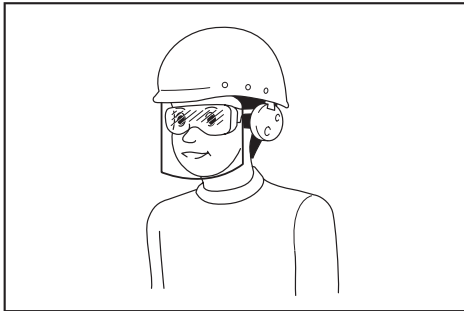
Work area safety

⚠️ WARNING: Keep the cultivator away from electric lines and communication cables. Touching or approaching high-voltage lines with cultivator can result in death or serious injury. Watch power lines and electrical fences around the work area before starting operation.

1. Operate the machine under good visibility and daylight conditions only. Do not operate the machine in darkness or fog.
2. Start and operate the engine only outdoors in a well ventilated area. Operation in a confined or poorly ventilated area can result in death due to suffocation or carbon monoxide poisoning.
3. Before operation, examine the work area for wire fences, stones, or other solid objects. They can damage the rotor blades.
4. During operation, never stand on an unstable or slippery surface or a steep slope. During the cold season, beware of ice and snow and always ensure secure footing.
5. Avoid working close to fences, stumps or root of trees. They can damage the rotor blades.
6. Avoid working close to buildings, cars and other properties. Stones and debris hit by the cultivator may damage them.

Personal protective equipment

1. Always wear heavy, long pants, sturdy boots, gloves, and a long-sleeve shirt. Do not wear loose clothing, jewelry, short pants, sandals, or go barefoot. Secure hair so it is above shoulder level.
2. Always wear protective goggles to protect your eyes from injury when using the machine. The goggles must comply with ANSI Z87.1 in the USA, EN 166 in Europe, or AS/NZS 1336 in Australia/New Zealand. In Australia/New Zealand, it is legally required to wear a face shield to protect your face, too.



It is an employer's responsibility to enforce the use of appropriate safety protective equipments by the tool operators and by other persons in the immediate working area.

3. Wear ear protection, such as ear muffs. Exposure to noise can cause hearing loss.
4. Always wear sturdy shoes with a non-slip sole. This protects your feet against injuries and ensures a good footing.
5. Wear a dust mask as necessary.

Refueling

1. Stop the engine before refueling. Keep away from open flames and sparks. Never smoke during refueling. Otherwise fire and/or explosion may result.
2. Refuel outdoors. Refueling in a closed room can cause explosion of fuel vapor.
3. Avoid contact with fuel or engine oil. Do not inhale fuel vapor. If fuel or oil spills, wipe it off of the machine and/or ground immediately. If fuel spills on your clothes, change it immediately to prevent it from catching fire.
4. After refueling, carefully tighten the fuel tank cap and check for fuel leak. Move at least 3 m (10 feet) away from the fueling source and site before starting engine.
5. Only transport and store fuel in approved containers. Keep children away from the stored fuel.

Starting up the cultivator

1. Before assembling or adjusting the machine, switch off the motor and remove the spark plug cap or the battery cartridge.
2. Before handling the rotor blades, wear protective gloves.
3. Wear the personal protective equipments before starting the motor.
4. Before starting the motor, inspect the machine for damages, loose screws/nuts or improper assembly. Check all control levers and switches for easy action. Clean and dry the handles.
5. Never attempt to start the motor if the machine is damaged or not fully assembled with proper guards, plates, or other safety protective devices. Otherwise serious injury may result.
6. Before starting the motor, carefully check that the rotor blade is not touching the ground, your body, and other objects. Starting the motor with the rotor blade contacting with foreign object can cause serious accident.
7. Before starting the motor, make sure that there is no person or animal in the work area.
8. Adjust the shoulder harness and hand grip to suit the operator's body size.
9. Replace the rotor blades if they are cracked, bent, or damaged. Damaged rotor blades may shatter during operation and cause serious injury.
10. Start and operate the machine only outdoors in a well ventilated area. Operation in a confined or poorly ventilated area can result in death due to suffocation or carbon monoxide poisoning.
11. When starting the engine, place the machine on firm ground and then maintain good balance and secure footing.
12. When pulling the starter knob of the engine, hold the power unit firmly against the ground by your left hand. Never step on the drive shaft of the power unit.
13. If the rotor blades rotate at idle, stop the engine and adjust the idle speed down. Otherwise unintentional contact with moving rotor blade may result in serious injury.

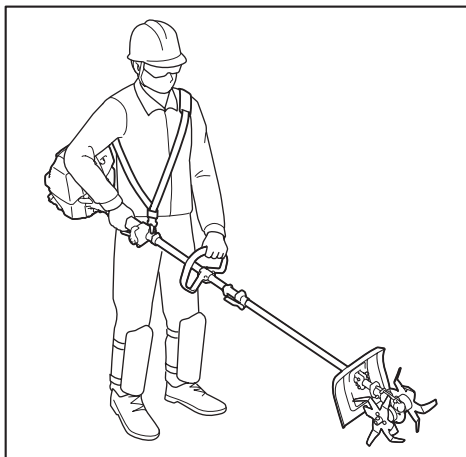
14. Stop the motor immediately if you notice any trouble.
15. Follow the instruction manual of the power unit for starting the motor.

Transportation

1. Stop the motor during transportation. Otherwise unintentional start-up may cause injury.
2. Ensure safe position of the machine during air transportation to avoid fuel leakage.
3. Lift the entire machine from the ground when carrying the machine. Dragging the machine causes fuel tank damage and fuel leakage, resulting in fire.
4. When transporting the equipment, carry it in a horizontal position by holding the shaft. Keep the hot muffler away from your body.

Operation

1. During operation, keep bystanders or animals at least 5 m (17 ft) away from the cultivator. Stop the motor as soon as someone approaches.
2. In the event of an emergency, switch off the motor immediately.
3. If you feel any unusual condition (e.g. noise, vibration) during operation, switch off the motor. Do not use the machine until the cause is recognized and solved.
4. With the engine running only at idle, attach the shoulder harness.
5. During operation, use the shoulder harness. Keep the machine on your right side firmly.



6. Hold the front handle with the left hand and the rear grip with the right hand, no matter you are right-hander or left-hander. Wrap your fingers and thumbs around the handles.
7. Never attempt to operate the machine with one hand. Loss of control may result in serious or fatal injury. To reduce the risk of cut injuries, keep your hands and feet away from the rotor blades.
8. When operating, do not raise the rotor blades above waist height.
9. The rotor blades continue to move for a short period after releasing the throttle trigger or switch off the motor. Don't rush to contact the rotor blades.
10. Do not overreach. Keep proper footing and balance at all times. Watch for hidden obstacles such as tree stumps, roots and ditches to avoid stumbling.
11. Use extreme caution when reversing the blade rotation or pulling the machine toward you. If the power unit has reverse rotation function, do not use it more than necessary. When operated in reverse rotation, the cultivator will push you if the rotor blades are on the ground.
12. Do not overload the machine capacity by attempting to till too deep at too fast a rate. The machine will do better work when used with proper load and there is less likelihood of a risk of injury.
13. Do not accelerate the motor with the rotor blades blocked. It increases the load and will damage the machine.
14. Be careful when tilling in hard ground. The tines may catch in the ground and propel the tiller forward. If this occurs, let go of the handles and do not restrain the machine.
15. If the machine gets heavy impact or fall, check the condition before continuing work. Check the fuel system for fuel leakage and the controls and safety devices for malfunction. If there is any damage or doubt, ask our authorized service center for the inspection and repair.
16. Do not touch the gear case. The gear case becomes hot during operation.
17. Take a rest to prevent loss of control caused by fatigue. We recommend to take a 10 to 20-minute rest every hour.
18. When you leave the machine, even if it is a short time, always switch off the engine or remove the battery cartridge. The machine unattended with the engine running may be used by unauthorized person and cause serious accident.
19. Follow the instruction manual of the power unit for proper use of the control lever and switch.
20. During or after operation, do not put the hot machine onto dry grass or combustible materials.
21. If the rotor blades catch weeds or the like, switch off the motor and remove the spark plug cap or battery cartridge, and then remove the obstructions.
22. Keep your hands and feet clear of the rotor blades. Contacting the rotor blades can result in serious injury. When handling the rotor blades, stop the motor and remove the spark plug cap or battery cartridge.
23. Check the rotor blades frequently during operation for cracks or blunt edges.
24. Always switch off the engine or remove the battery cartridge when removing the debris of plants such as roots tangled in the rotor blades.
25. Refer to the instruction manual of the power unit for how to start and control the machine.

Vibration

Exposing to excessive vibration injures blood vessels or nervous system of the operator and causes the following symptoms in the fingers, hands or wrists: "Falling asleep" (numbness), tingling, pain, stabbing sensation, alteration of skin color or of the skin. If any of these symptoms occur, see a physician.

To reduce the risk of "white finger disease", keep your hands warm during operation and well maintain the machine and accessories.

Maintenance

1. Before doing any maintenance or repair work or cleaning the machine, always switch off the motor and remove the spark plug cap or the battery cartridge. Wait until the motor gets cold.
2. To reduce the risk of fire, never service the equipment in the vicinity of fire.
3. Always wear protective gloves when handling the rotor blades.
4. Always clean dust and dirt off the equipment. Never use gasoline, benzene, thinner, alcohol or the like for the purpose. Discoloration, deformation or cracks of the plastic components may result.
5. After each use, tighten all screws and nuts, except for the carburetor adjustment screws.
6. Keep the rotor blades sharp. Replace the rotor blades if they have become blunt.
7. Never repair bent or broken rotor blades by straightening or welding. It may cause parts of the rotor blade to come off and result in serious injury. Contact our authorized service center for the genuine rotor blades to replace them.
8. Do not attempt any maintenance or repair not described in this booklet or the instruction manual of the power unit. Ask our authorized service center for such work.
9. Follow instructions for lubricating and changing accessories.
10. Always use the genuine spare parts and accessories only. Using parts or accessories supplied by a third party may result in the equipment breakdown, property damage and/or serious injury.
11. Request our authorized service center to inspect and maintain the machine at regular interval.

Storage

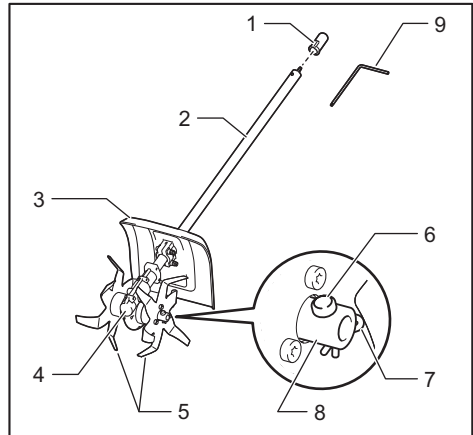
1. Before storing the machine, perform full cleaning and maintenance. Remove the spark plug cap or the battery cartridge. Drain the fuel after the engine gets cold.
2. Store the equipment in a dry and high or locked location out of reach of children.
3. Do not prop the equipment against something, such as a wall. Otherwise it may fall suddenly and cause an injury.

First Aid

1. In case of accident make sure that a first-aid box is available in the vicinity of the cutting operations. Immediately replace any item taken from the first aid box.
2. When asking for help, give the following information:
 - Place of accident
 - What happened
 - Number of injured persons
 - Kind of injuries
 - Your name

⚠WARNING: Use of this product can create dust containing chemicals which may cause respiratory or other illnesses. Some examples of these chemicals are compounds found in pesticides, insecticides, fertilizers and herbicides. Your risk from these exposures varies, depending on how often you do this type of work. To reduce your exposure to these chemicals: work in a well ventilated area, and work with approved safety equipment, such as those dust masks that are specially designed to filter out microscopic particles.

PARTS DESCRIPTION



- 1. Cap 2. Pipe 3. Protector 4. Gear case 5. Rotor blade 6. Lock pin 7. Clip 8. Hub 9. Hexalobular wrench

ASSEMBLY

⚠ WARNING: Before assembling or adjusting the equipment, switch off the motor and remove the spark plug cap or battery cartridge. Otherwise the cutting tool or other parts may move and result in serious injury.

⚠ WARNING: Before handling the rotor blades, wear protective gloves. During the assembly or adjustment, your fingers may contact with the rotor blade and it may cause serious injury.

⚠ WARNING: When assembling or adjusting the equipment, always put it down. Assembling or adjusting the equipment in an upright position may result in serious injury.

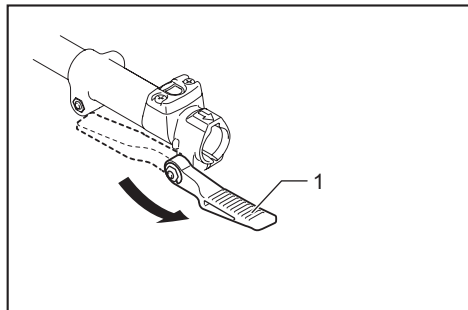
⚠ WARNING: Follow the warnings and precautions in the chapter "SAFETY WARNINGS" and the instruction manual of the power unit.

Mounting the attachment pipe

⚠ CAUTION: Always check that the attachment pipe is secured after installation. Improper installation may cause the attachment falling off from the power unit and cause personal injury.

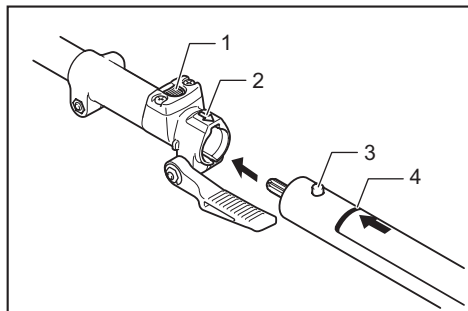
Mount the attachment pipe to the power unit.

1. Turn the lever toward the attachment.



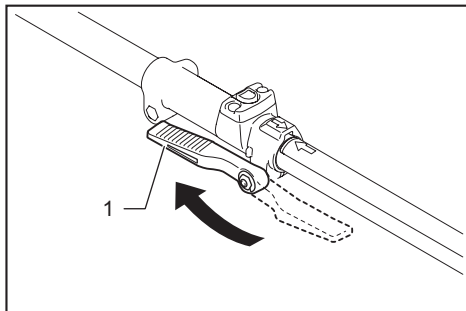
- 1. Lever

2. Align the pin with the arrow mark. Insert the attachment pipe until the release button pops up. Make sure that the position line is on the tip of the arrow mark.



- 1. Release button 2. Arrow mark 3. Pin 4. Position line

3. Turn the lever toward the power unit.

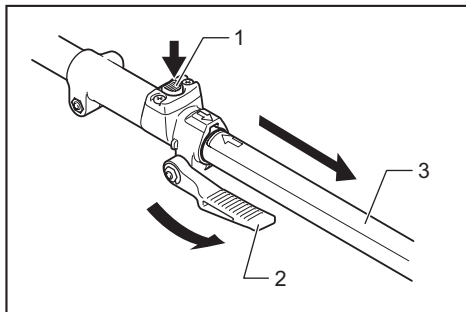


- 1. Lever

Make sure that the surface of the lever is parallel to the pipe.

NOTICE: Do not tighten the lever without the attachment pipe inserted. Otherwise the lever may tighten the entrance of the drive shaft too much and damage it.

To remove the pipe, turn the lever toward the attachment and pull the pipe out while pressing down the release button.



- 1. Release button 2. Lever 3. Pipe

OPERATION

⚠ WARNING: Follow the warnings and precautions in the chapter "SAFETY WARNINGS" and the instruction manual of the power unit.

⚠ WARNING: Adjust the hanger position and shoulder harness to your comfortable position before operating.

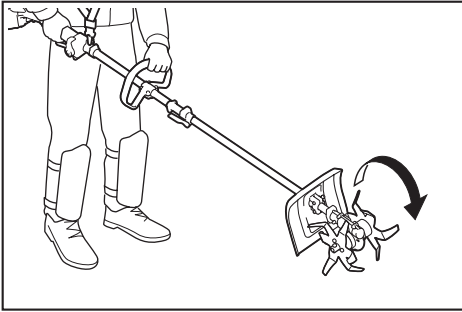
Tilling the soil

CAUTION: Before operation, remove hard and/or long objects such as stones, cans, and ropes from the working area. They may damage the rotor blade or hinder the rotation of the rotor blade.

CAUTION: When tilling the soil, do not move the cultivator faster than walking speed.

CAUTION: When walking with the running cultivator or pulling it, keep a safe distance between your feet and the rotor blades.

The rotor blade rotates in the direction as illustrated. Choose the appropriate way of cultivating depending on the size of the work area, terrain, and ground condition.



Basic operation

Press the rotor blades into the soil and then accelerate the motor. Move them forward and backward alternatively.

Breaking up the soil

Hold the cultivator firmly and till to the desired depth.

Mixing soil improver

Spread soil improver, such as compost, leaves, fertilizers or the like evenly. Apply the rotor blades and mix the soil improver into soil.

Furrowing

Slowly drag the rotor blades backward. If it is difficult to make a desired depth in one go, trace the tilled line again.

NOTICE: The roots of the plants may be damaged by tilling. Be careful of the tilling depth if there are plants nearby.

NOTE: The debris of plants such as roots may tangle in the rotor blades. In this case, stop the motor and remove the rotor blade from the gear case and then wash off the debris.

MAINTENANCE

WARNING: Before inspecting or maintaining the equipment, switch off the motor and remove the spark plug cap or battery cartridge. Otherwise the cutting tool or other parts may move and result in serious injury.

WARNING: When inspecting or maintaining the equipment, always put it down. Assembling or adjusting the equipment in an upright position may result in serious injury.

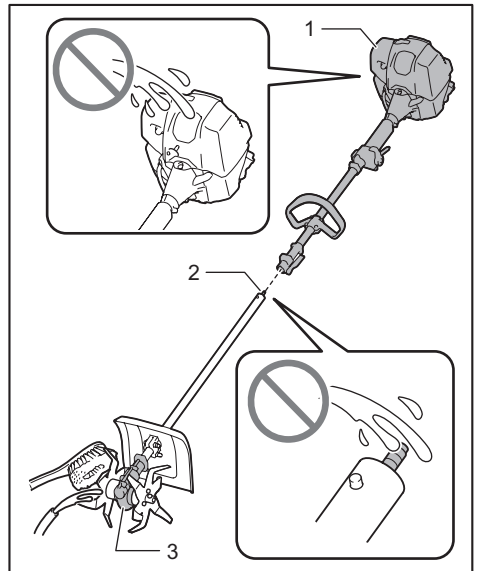
WARNING: Follow the warnings and precautions in the chapter "SAFETY WARNINGS" and the instruction manual of the power unit.

NOTICE: Never use gasoline, benzene, thinner, alcohol or the like. Discoloration, deformation or cracks may result.

To maintain product SAFETY and RELIABILITY, repairs, any other maintenance or adjustment should be performed by Makita Authorized or Factory Service Centers, always using Makita replacement parts.

Cleaning the cultivator

The cultivator can be washed with water. Use a nylon brush or the similar to wash off dirt. For ease of cleaning, you can remove the rotor blade from the gear case. Refer to "Removing the rotor blades" in "Replacing the rotor blades" section for how to remove.



► 1. Power unit 2. Pipe end 3. Gear case

NOTICE: Do not pour water over the power unit and pipe end and inside the gear case. When the rotor blade is removed, be careful not to let foreign objects come into the gear case. It may cause a malfunction of the cultivator.

Overall inspection

- Tighten loose bolts, nuts and screws.
- Check for damaged parts and blades. Ask our authorized service center to replace them if necessary.

Inspecting the rotor blades and protector

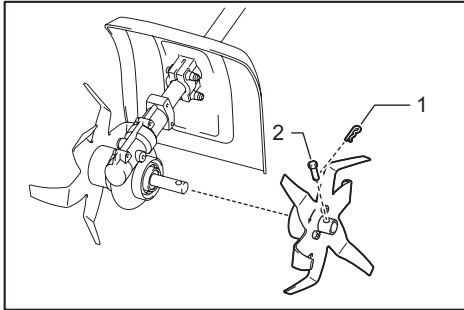
Check and clean the rotor blades and protector daily. If they are worn, bent and cracked, replace them.

Replacing the rotor blades

Optional accessory

CAUTION: Be sure to use the genuine rotor blade from Makita.

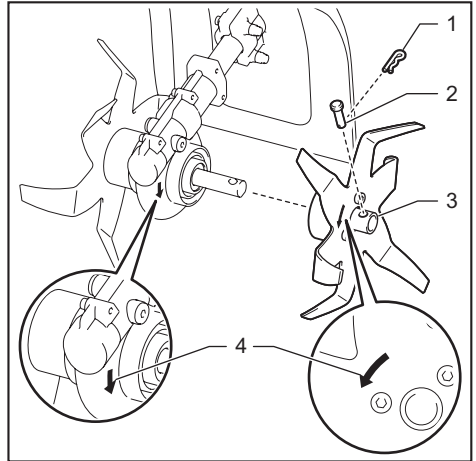
Removing the rotor blades



► 1. Clip 2. Lock pin

1. Remove the clip on the lock pin using pliers.
2. Remove the lock pin.
3. Remove the rotor blade.
4. Remove the rotor blade on the other side in the same way as above.

Installing the rotor blades



► 1. Clip 2. Lock pin 3. Hub of the rotor blade 4. Arrow mark

1. Put the hub of the rotor blade onto the gear case. Be sure to install the rotor blade so that the arrow marks on the rotor blade and the gear case point the same direction.
2. Insert the lock pin into the hole on the hub of the rotor blade.
3. Insert the clip into the hole on the lock pin until it is secured.
4. Install the rotor blade on the other side in the same way as above.

Lubricating moving parts

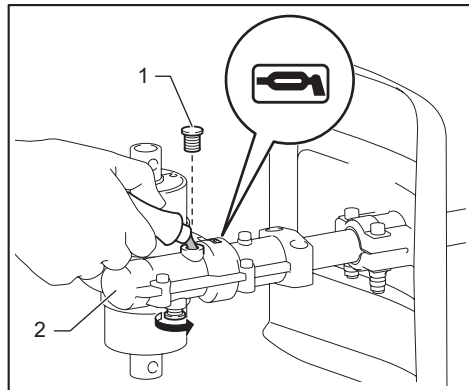
NOTICE: Follow the instruction of the frequency and amount of grease supplied. Otherwise insufficient lubrication may damage moving parts.

Gear case:

CAUTION: Do not apply grease when the gear case is hot. Hot gear case can cause burn injury.

Fill approx. 30 ml of grease (Makita grease SG No.0) through the grease port evenly every 25 hours of operation.

With the supplied hexalobular wrench, remove the bolt near the lubrication marking on the gear case. Loosen the bolt on the other side so that the air in the gear case can be released when applying the grease. After applying the grease, be sure to tighten the bolts.

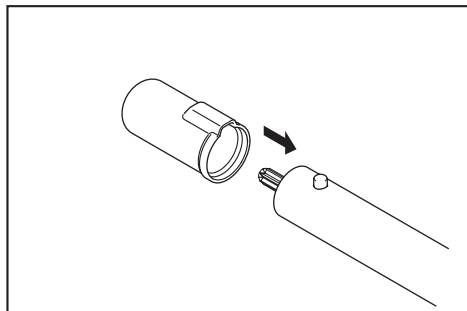


► 1. Bolt 2. Gear case

Storage

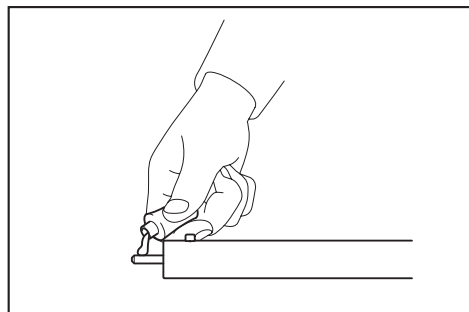
⚠ WARNING: Follow the warnings and precautions in the chapter “SAFETY WARNINGS” and the instruction manual of the power unit.

When storing the attachment separated from the power unit, put the cap onto the end of the shaft.



Drive axle:

Apply grease (Makita grease SG No.0) every 25 hours of operation.



NOTE: Genuine Makita grease may be purchased from your local Makita dealer.

Interval of inspection and maintenance

Operating hour		Before Operation	Daily (10h)	25h
Whole unit	Visually inspect for damaged parts	✓	-	-
All fixing screws and nuts	Tighten	✓	-	-
Rotor blades and protector	Clean and visually inspect for damaged parts	-	✓	-
Gear case	Supply grease	-	-	✓
Drive axle	Supply grease	-	-	✓
Power unit	Refer to the instruction manual of the power unit			

TROUBLESHOOTING

Before asking for repairs, conduct your own inspection first. If you find a problem that is not explained in the manual, do not attempt to dismantle the machine. Instead, ask Makita Authorized Service Centers, always using Makita replacement parts for repairs.

State of abnormality	Probable cause (malfunction)	Remedy
Motor does not start.	-	Refer to the instruction manual of the power unit.
Motor stops soon.	-	Refer to the instruction manual of the power unit.
Motor speed does not increase.	-	Refer to the instruction manual of the power unit.
Rotor blade does not rotate. ⇒ Stop the motor immediately.	The pipes of the power unit and the cultivator attachment are not connected properly.	Connect the pipes in the correct way.
	Rotor blade caught a root or the like.	Remove foreign matter
	Abnormal drive system	Contact an authorized service center for repairs.
Power unit vibrates abnormally. ⇒ Stop the motor immediately.	Broken or bent rotor blade	Replace the rotor blade.
	Loose attachment of the rotor blade	Tighten the screws on the rotor blade securely.
	Irregular attachment of the rotor blade	Install the rotor blade in the correct way.
	Abnormal drive system	Contact an authorized service center for repairs.
Rotor blades continue to rotate even if the switch trigger/lever is released. ⇒ Stop the motor immediately.	The power unit does not work properly.	Adjust the idle speed if the power unit is engine-operated. Contact an authorized service center for repairs.

OPTIONAL ACCESSORIES

⚠ CAUTION: These accessories or attachments are recommended for use with your Makita tool specified in this manual. The use of any other accessories or attachments might present a risk of injury to persons. Only use accessory or attachment for its stated purpose.

If you need any assistance for more details regarding these accessories, ask your local Makita Service Center.

- Rotor blade set (L/R)

NOTE: Some items in the list may be included in the tool package as standard accessories. They may differ from country to country.

SPÉCIFICATIONS

Modèle :	KR401MP
Dimensions : longueur x largeur x hauteur (avec lame de rotor)	933 mm x 235 mm x 256 mm (36-3/4" x 9-1/4" x 10-1/8")
Poids net	3,2 kg (7,0 lbs)
Largeur de culture	220 mm (8-5/8")
Diamètre extérieur de la lame de rotor	220 mm (8-5/8")
Rapport d'engrenage	1/43

- Étant donné l'évolution constante de notre programme de recherche et de développement, les spécifications contenues dans ce manuel sont sujettes à modification sans préavis.
- Les spécifications peuvent varier suivant les pays.

Unité d'alimentation approuvée

Cette fixation est approuvée uniquement pour l'utilisation avec les unités d'alimentation suivantes :

- Moteur Multi-Fonctions EX2650LH
- Moteur Multi-Fonctions Sans Fil BUX360, BUX361, BUX362, UX360D, UX361D, UX362D, DUX60, XUX01

⚠ MISE EN GARDE : N'utilisez jamais la fixation avec une unité d'alimentation non approuvée. Une combinaison non approuvée peut entraîner une grave blessure.

Symboles

Les symboles suivants sont utilisés sur la fixation et dans ce manuel d'instructions. Vous devez comprendre ces définitions.

	Soyez tout particulièrement prudent et attentif !
	Lisez le manuel d'instructions.
	Portez un casque de protection et des protections pour les yeux et pour les oreilles !
	Portez des chaussures robustes à semelle antidérapante. Les bottes de sécurité à embout d'acier sont recommandées !
	Gardez votre corps à l'écart des lames en rotation.
	Ne laissez pas approcher les personnes présentes à moins de 5 m (17 ft).
	Surfaces chaudes - Brûlures aux doigts ou aux mains.

Utilisation prévue

Cette fixation est conçue uniquement pour cultiver le sol en combinaison avec une unité d'alimentation approuvée. N'utilisez jamais la fixation à d'autres fins. Maltraiter l'accessoire peut entraîner une grave blessure.

CONSIGNES DE SÉCURITÉ

Consignes de sécurité pour motoculteur

⚠ MISE EN GARDE : Avant l'utilisation, veuillez lire toutes les mises en garde, instructions, illustrations et spécifications qui accompagnent cette machine, ainsi que le manuel d'instructions de l'unité d'alimentation. Ne pas suivre toutes les instructions ci-dessous peut entraîner un incendie et/ou une blessure grave à l'utilisateur et/ou aux personnes présentes.

Conservez toutes les mises en garde et instructions pour référence future.

Les termes « motoculteur » et « machine », dans les mises en garde et précautions, font référence à la combinaison de la fixation et de l'unité d'alimentation. Le terme « moteur », dans les mises en garde et précautions, fait référence au moteur ou au moteur électrique de l'unité d'alimentation.

Sécurité générale

1. **Les nouveaux utilisateurs et les utilisateurs inexpérimentés doivent demander au détaillant de les initier à toutes les commandes de cette machine. Ne laissez jamais les enfants, les personnes aux facultés physiques, sensorielles ou mentales réduites, les personnes dont l'expérience ou les connaissances sont insuffisantes ou les personnes non familiarisées avec les instructions utiliser cette machine.**

2. Il est recommandé de ne prêter la machine qu'à des personnes ayant démontré leur expérience. Remettez-leur toujours le manuel d'instructions.
3. Restez alerte, attentif à vos mouvements et faites preuve de bon sens lorsque vous utilisez la machine. N'utilisez pas la machine si vous êtes fatigué, malade ou avez pris une drogue, de l'alcool ou un médicament. Un moment d'inattention pendant l'utilisation de la machine peut entraîner une grave blessure.
4. Éviter d'utiliser la machine sous de mauvaises conditions météo, et tout spécialement lorsqu'il y a risque de foudre.
5. Respectez la réglementation nationale et locale sur l'utilisation des machines électriques pour l'extérieur.
6. Ne tentez jamais de modifier la machine.
7. Gardez à l'esprit que l'opérateur ou l'utilisateur est responsable des accidents ou des dangers qui surviennent à d'autres personnes ou à leurs biens.

Sécurité de la zone de travail

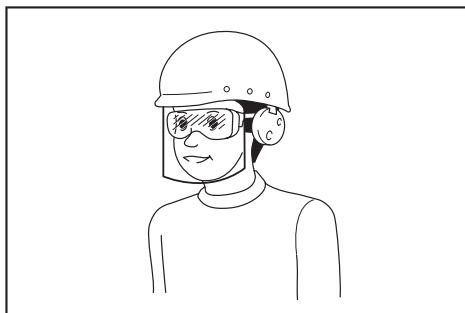
▲ MISE EN GARDE : Gardez le motoculteur à l'écart des lignes électriques et câbles de communication. Toucher ou s'approcher des lignes à haute tension avec le motoculteur peut entraîner la mort ou une grave blessure. Avant de commencer le travail, vérifiez s'il y a des lignes électriques ou des clôtures électriques aux environs de la zone de travail.

1. N'utilisez la machine que dans des conditions de bonne visibilité et à la lumière du jour. N'utilisez pas la machine dans l'obscurité ou le brouillard.
2. Ne démarrez et n'utilisez le moteur qu'à l'extérieur, dans une zone bien aérée. L'utilisation dans un espace étroit ou mal aéré peut entraîner le décès par asphyxie ou par empoisonnement au monoxyde de carbone.
3. Avant l'exécution du travail, vérifiez l'absence de clôtures grillagées et de pierres ou autres objets solides dans la zone de travail. Ils peuvent endommager les lames de rotor.
4. Pendant l'exécution du travail, ne vous tenez jamais sur une surface instable ou glissante, ou dans une pente abrupte. Pendant la saison froide, prenez garde à la glace et à la neige, et assurez-vous toujours d'une bonne prise au sol.
5. Évitez de travailler près des clôtures, des souches ou des racines d'arbres. Elles peuvent endommager les lames de rotor.
6. Évitez de travailler près des bâtiments, des voitures et autres propriétés. Les pierres et débris heurtés par le motoculteur peuvent les endommager.

Équipement de protection personnel

1. Portez toujours un pantalon épais et long, des chaussures robustes, des gants et une chemise à manches longues. Ne portez pas de vêtements amples, bijoux, culotte courte ou sandales, et ne travaillez pas pieds nus. Rassemblez les cheveux au-dessus de la hauteur des épaules.

2. Portez toujours des lunettes à coques de protection pour protéger vos yeux contre les blessures lorsque vous utilisez la machine. Les lunettes à coques de protection doivent être conformes à ANSI Z87.1 aux États-Unis, à EN 166 en Europe, ou à AS/NZS 1336 en Australie/Nouvelle-Zélande. En Australie/Nouvelle-Zélande, la loi exige également de porter un écran facial pour se protéger le visage.



L'employeur a la responsabilité d'imposer l'utilisation d'équipements de protection de sécurité adéquats aux utilisateurs des outils et à toute autre personne se trouvant dans la zone de travail immédiate.

3. Portez un protège-oreilles ou autres protections pour les oreilles. L'exposition au bruit peut entraîner des lésions de l'ouïe.
4. Portez toujours des chaussures robustes à semelle antidérapante. Cela protégera vos pieds contre les blessures et vous assurera une bonne stabilité.
5. Portez un masque antipoussières si nécessaire.

Ravitaillement en carburant

1. Coupez le moteur avant d'effectuer le ravitaillement en carburant. Restez à l'écart des flammes nues et des étincelles. Ne fumez jamais en effectuant le ravitaillement en carburant. Autrement, cela peut entraîner un incendie et/ou une explosion.
2. Effectuez le ravitaillement en carburant à l'extérieur. Le ravitaillement en carburant dans une pièce fermée peut entraîner l'explosion des vapeurs de carburant.
3. Évitez de toucher le carburant ou l'huile à moteur. Ne respirez pas les vapeurs de carburant. Si vous renversez du carburant ou de l'huile, essuyez immédiatement la machine et/ou le sol. Si du carburant est renversé sur vos vêtements, changez-vous immédiatement pour éviter qu'ils ne prennent feu.
4. Après le ravitaillement en carburant, serrez soigneusement le bouchon du réservoir à carburant et vérifiez s'il y a des fuites de carburant. Avant de faire démarrer le moteur, déplacez-vous à au moins 3 m (10 pieds) de la source et du lieu de ravitaillement.
5. Ne transportez et ne rangez le carburant que dans des contenants approuvés. Gardez les enfants à l'écart du carburant rangé.

Démarrage du motoculteur

1. Avant d'assembler ou de régler la machine, coupez le moteur et retirez le capuchon de bougie d'allumage ou la batterie.
2. Avant de manipuler les lames de rotor, enfillez des gants protecteurs.
3. Portez les équipements de protection personnelle avant de démarrer le moteur.
4. Avant de démarrer le moteur, inspectez la machine pour vous assurer de l'absence de dommages, de vis/écrous desserrés ou de pièces mal assemblées. Vérifiez le fonctionnement fluide des leviers de commande et des commutateurs. Nettoyez et essuyez les poignées.
5. N'essayez jamais de démarrer le moteur si la machine est endommagée ou si elle n'est pas complètement assemblée avec les protecteurs, plaques ou autres dispositifs protecteurs de sécurité appropriés. Autrement, il y a risque de grave blessure.
6. Avant de démarrer le moteur, vérifiez soigneusement que la lame de rotor ne touche pas le sol, votre corps ou d'autres objets. Le démarrage du moteur avec la lame de rotor en contact avec un corps étranger peut entraîner un accident grave.
7. Avant de démarrer le moteur, assurez-vous qu'il n'y a pas de personne ou d'animal dans la zone de travail.
8. Ajustez la sangle d'épaule et la poignée en fonction de votre taille.
9. Remplacez les lames de rotor si elles sont fissurées, pliées ou endommagées. Les lames de rotor endommagées peuvent se casser pendant l'utilisation et entraîner de graves blessures.
10. Ne démarrez et n'utilisez la machine qu'à l'extérieur, dans un emplacement bien aéré. L'utilisation dans un emplacement confiné ou mal aéré peut entraîner le décès par asphyxie ou l'intoxication par le monoxyde de carbone.
11. Lors du démarrage du moteur, placez la machine sur un sol ferme, puis maintenez un bon équilibre et une bonne assise.
12. Lorsque vous tirez sur la poignée de démarreur du moteur, maintenez fermement l'unité d'alimentation contre le sol avec la main gauche. Ne marchez jamais sur l'arbre d'entraînement de l'unité d'alimentation.
13. Si les lames de rotor tournent au ralenti, arrêtez le moteur et réduisez la vitesse de ralenti. Autrement, le contact accidentel avec la lame de rotor en mouvement peut entraîner une grave blessure.
14. Coupez immédiatement le moteur si vous constatez toute défectuosité.
15. Pour démarrer le moteur, reportez-vous au manuel d'instructions de l'unité d'alimentation.

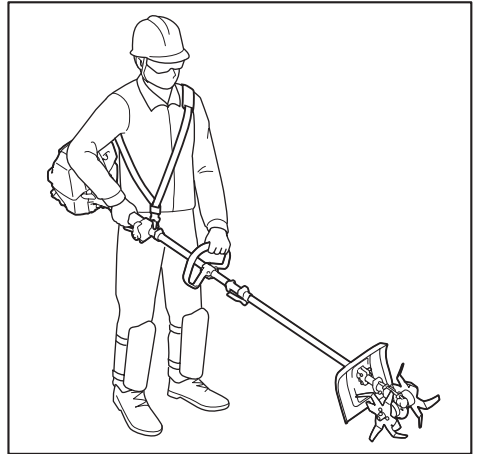
Transport

1. Coupez le moteur pendant le transport. Autrement, un démarrage accidentel pourrait entraîner une blessure.
2. Assurez-vous que la machine est placée de manière sécuritaire lors de son transport par véhicule, pour éviter les fuites de carburant.

3. Lorsque vous transportez la machine, soulevez-la complètement du sol. Traîner la machine peut endommager le réservoir à carburant et provoquer une fuite de carburant qui risque d'entraîner un incendie.
4. Lors du transport de l'équipement, transportez-le à l'horizontale et en tenant l'arbre. Gardez le silencieux chaud à l'écart de votre corps.

Exécution du travail

1. Pendant l'utilisation, ne laissez pas approcher les personnes présentes ou les animaux à moins 5 m (17 ft) du motoculteur. Arrêtez le moteur dès que quelqu'un approche.
2. En cas d'urgence, éteignez immédiatement le moteur.
3. Si vous soupçonnez une anomalie (bruit, vibration, etc.) pendant l'exécution du travail, éteignez le moteur. N'utilisez la machine qu'une fois la cause de l'anomalie identifiée et corrigée.
4. Fixez la sangle d'épaule pendant que le moteur ne tourne qu'au ralenti.
5. Pendant l'exécution du travail, utilisez la sangle d'épaule. Maintenez fermement la machine sur votre droite.



6. Que vous soyez droitier ou gaucher, tenez la poignée avant de la main gauche et la poignée arrière de la main droite. Enveloppez les poignées de vos doigts et pouces.
7. N'essayez jamais d'utiliser la machine d'une seule main. La perte de contrôle peut entraîner une blessure grave, voire fatale. Pour réduire les risques de blessures par coupure, éloignez vos mains et vos pieds des lames de rotor.
8. Lors de l'utilisation, n'élevez pas les lames de rotor plus haut que la hauteur de la taille.
9. Les lames de rotor continuent de tourner pendant un court moment après avoir relâché la gâchette d'accélérateur ou coupé le moteur. Attendez avant de toucher les lames de rotor.
10. Ne vous étirez pas. Gardez une bonne prise au sol et un bon équilibre en tout temps. Vérifiez l'absence d'obstacles non visibles, tels que souches, racines et fossés, pour éviter de perdre pied.

11. **Soyez extrêmement prudent lorsque vous inversez le sens de rotation de la lame ou tirez la machine vers vous.** Si l'unité d'alimentation est dotée d'une fonction de rotation inverse, ne l'utilisez pas plus que nécessaire. Utilisé en rotation inverse, le motoculteur vous poussera si les lames de rotor sont en contact avec le sol.
12. **Ne surchargez pas la machine en tentant de labourer trop profondément à une vitesse trop rapide.** La machine effectuera mieux le travail si elle est utilisée avec une charge adéquate, et il y aura moins de risques de blessures.
13. **Ne faites pas accélérer le moteur lorsque les lames de rotor sont bloquées.** Cela augmenterait la charge et endommagerait la machine.
14. **Soyez prudent lorsque vous labourez un sol dur.** Les dents peuvent s'accrocher au sol et propulser le motoculteur vers l'avant. Si cela se produit, lâchez les poignées et ne retenez pas la machine.
15. **Si la machine subit un choc violent ou tombe, vérifiez son état avant de poursuivre le travail.** Vérifiez l'absence de fuite de carburant sur le circuit de carburant, et l'absence de dysfonctionnements sur les commandes et les dispositifs de sécurité. Si vous constatez ou soupçonnez tout dommage, demandez à un centre de service après-vente agréé d'effectuer l'inspection et la réparation.
16. **Ne touchez pas la boîte d'engrenage.** La boîte d'engrenage devient chaude pendant l'exécution du travail.
17. **En cas de fatigue, faites une pause pour éviter de perdre le contrôle de l'outil.** Il est recommandé de prendre une pause de 10 à 20 minutes toutes les heures.
18. **Lorsque vous quittez la machine, même pour un court moment, coupez toujours le moteur ou retirez la batterie.** La machine laissée sans surveillance avec le moteur en marche peut être utilisée par une personne non autorisée et entraîner un accident grave.
19. **Suivez les instructions du mode d'emploi de l'unité d'alimentation pour utiliser adéquatement le levier de commande et le commutateur.**
20. **Pendant ou après l'utilisation, ne mettez pas la machine chaude sur de l'herbe sèche ou des matériaux combustibles.**
21. **Si des mauvaises herbes, etc., s'enchevêtrent dans les lames de rotor, coupez le moteur et retirez le capuchon de bougie d'allumage ou la batterie, puis enlevez les obstructions.**
22. **Gardez vos mains et pieds à l'écart des lames de rotor.** Le contact avec les lames de rotor peut entraîner une grave blessure. Lorsque vous manipulez les lames de rotor, arrêtez le moteur et retirez le capuchon de bougie d'allumage ou la batterie.
23. **Vérifiez régulièrement l'absence de fissures ou de bords émoussés sur les lames de rotor pendant l'utilisation.**
24. **Coupez toujours le moteur ou retirez la batterie lorsque vous enlevez les racines et autres débris de plantes enchevêtrés dans les lames de rotor.**
25. **Reportez-vous au manuel d'instructions de l'unité d'alimentation au sujet de la façon de démarrer et de commander la machine.**

Vibrations

L'exposition à des vibrations excessives peut affecter les vaisseaux sanguins ou le système nerveux de l'utilisateur, et entraîner les symptômes suivants aux doigts, aux mains ou aux poignets : Somnolence (engourdissement), picotement, douleur, douleur lancinante, altération de la couleur de la peau ou de la peau elle-même. Si l'un ou l'autre de ces symptômes se manifeste, consultez un médecin.

Pour réduire le risque de « maladie du doigt mort », gardez les mains au chaud pendant l'utilisation et entretenez bien la machine et les accessoires.

Entretien

1. **Avant d'effectuer tout travail d'entretien, de réparation ou de nettoyage sur la machine, coupez toujours le moteur et retirez le capuchon de bougie d'allumage ou la batterie.** Attendez que le moteur ait refroidi.
2. **Pour réduire le risque d'incendie, ne faites jamais l'entretien de l'équipement près d'un feu.**
3. **Enfilez toujours des gants protecteurs avant de manipuler les lames de rotor.**
4. **Enlevez toujours les poussières et saletés sur l'équipement.** Pour cela, n'utilisez jamais d'essence, de benzine, de diluant, d'alcool, etc. Cela risquerait de causer la décoloration, la déformation ou la fissuration des composants de plastique.
5. **Après chaque utilisation, serrez toutes les vis et tous les écrous, à l'exception des vis de réglage du carburateur.**
6. **Gardez les lames de rotor bien affûtées.** Remplacez les lames de rotor lorsqu'elles sont émoussées.
7. **Ne réparez jamais les lames de rotor pliées ou cassées, que ce soit par dégauchissage ou par soudage.** Les pièces de la lame de rotor pourraient se détacher et entraîner une grave blessure. Contactez notre centre de service après-vente agréé pour les faire remplacer par des lames de rotor d'origine.
8. **Ne tentez aucun travail d'entretien ou de réparation non décrit dans cette brochure ou dans le mode d'emploi de l'unité d'alimentation.** Demandez à un centre de service après-vente agréé d'effectuer ce travail.
9. **Suivez les instructions concernant le graissage et le remplacement des accessoires.**
10. **Utilisez toujours exclusivement des pièces de rechange et accessoires d'origine.** L'utilisation de pièces ou d'accessoires d'un autre fabricant peut entraîner une panne d'équipement, des dommages matériels et/ou une grave blessure.
11. **Demandez régulièrement à notre service après-vente agréé d'effectuer l'inspection et l'entretien de la machine.**

Rangement

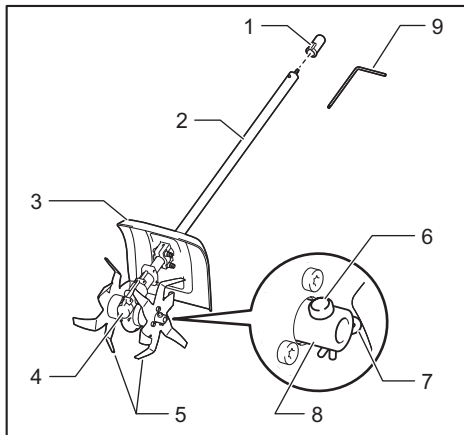
1. Avant de ranger la machine, effectuez son nettoyage et son entretien complets. Retirez le capuchon de bougie d'allumage ou la batterie. Vidangez le carburant après le refroidissement du moteur.
2. Rangez l'équipement dans un emplacement sec et élevé ou verrouillé, hors de portée des enfants.
3. **N'appuyez pas l'équipement contre un mur ou un objet.** Autrement il risque de tomber soudainement et d'entraîner une blessure.

Premiers soins

1. **Veillez à toujours disposer d'une trousse de premiers soins à proximité du travail de coupe, en cas d'accident. Remplacez immédiatement tout élément utilisé de la trousse de premiers soins.**
2. **Lorsque vous demandez de l'aide, donnez les renseignements suivants :**
 - Lieu de l'accident
 - Ce qui s'est produit
 - Nombre de blessés
 - Types de blessure
 - Votre nom

⚠ MISE EN GARDE : L'utilisation de ce produit peut générer des poussières contenant des produits chimiques qui peuvent causer des maladies respiratoires ou autres. Parmi ces produits chimiques figurent les composés que l'on trouve dans les pesticides, les insecticides, les fertilisants et les herbicides. Le risque lié à ces expositions varie suivant la fréquence d'exécution du type de travail en question. Pour réduire votre exposition à ces produits chimiques : travaillez dans une zone bien aérée et avec des dispositifs de sécurité approuvés, tels que des masques antipoussières spécialement conçus pour filtrer les particules microscopiques.

DESCRIPTION DES PIÈCES



- 1. Capuchon 2. Tube 3. Protecteur 4. Boîte d'engrenage 5. Lame de rotor 6. Broche de verrouillage 7. Attache 8. Moyeu 9. Clé hexalobulaire

ASSEMBLAGE

⚠ MISE EN GARDE : Avant d'assembler ou de régler l'équipement, coupez le moteur et retirez le capuchon de bougie d'allumage ou la batterie. Autrement, l'outil de coupe ou d'autres pièces pourraient se déplacer et entraîner une grave blessure.

⚠ MISE EN GARDE : Avant de manipuler les lames de rotor, enfiler des gants protecteurs. Pendant l'assemblage ou le réglage, vous risquez une grave blessure aux doigts s'ils entrent en contact avec la lame de rotor.

⚠ MISE EN GARDE : Déposez toujours l'équipement avant de l'assembler ou de le régler. Assembler ou régler l'équipement en le laissant debout peut entraîner une grave blessure.

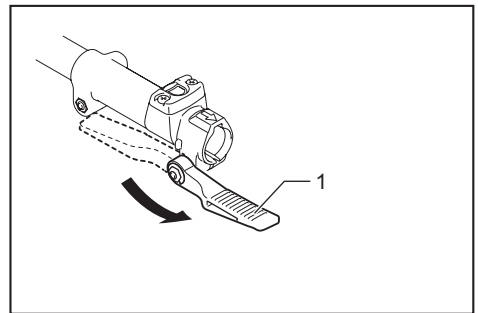
⚠ MISE EN GARDE : Respectez les mises en garde et prenez les précautions du chapitre « CONSIGNES DE SÉCURITÉ » et du manuel d'instructions de l'unité d'alimentation.

Montage du tube de fixation

⚠ ATTENTION : Après la pose, assurez-vous toujours que le tube de fixation est bien fixé. En cas de pose incorrecte, la fixation risque de se détacher de l'unité d'alimentation et d'entraîner une blessure.

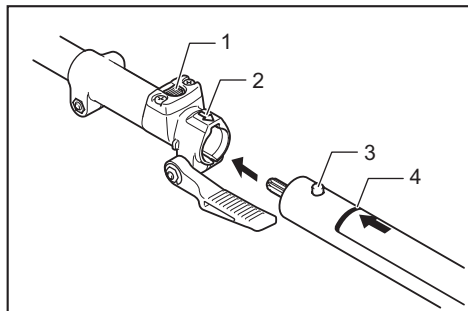
Montez le tube de fixation sur le groupe moteur.

1. Tournez le levier vers la fixation.



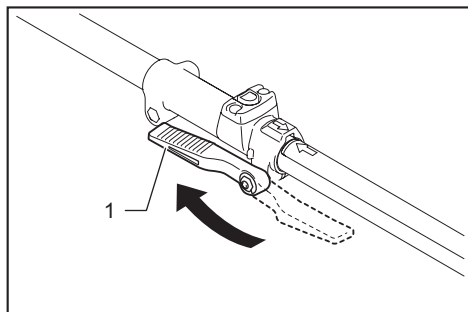
- 1. Levier

2. Alignez la broche sur la marque de flèche. Insérez le tube de fixation jusqu'à ce que le bouton de libération surgisse. Assurez-vous que la ligne de position est à l'extrémité de la marque de flèche.



- 1. Bouton de libération 2. Marque de flèche
3. Broche 4. Ligne de positionnement

3. Tournez le levier vers l'unité d'alimentation.

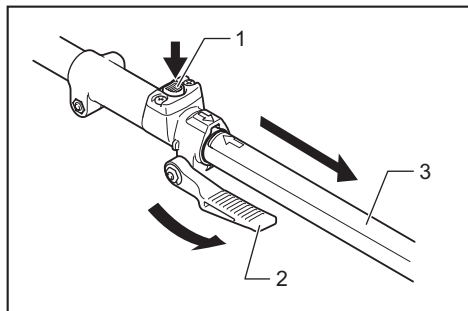


- 1. Levier

Assurez-vous que la surface du levier est parallèle au tube.

AVIS : Ne serrez pas le levier sans avoir inséré le tube de fixation. Autrement, le levier risque de trop serrer l'entrée de l'arbre d'entraînement et de l'endommager.

Pour retirer le tube, tournez le levier vers la fixation et tirez sur le tube tout en enfonçant le bouton de libération.



- 1. Bouton de libération 2. Levier 3. Tube

UTILISATION

⚠ MISE EN GARDE : Respectez les mises en garde et prenez les précautions du chapitre « CONSIGNES DE SÉCURITÉ » et du manuel d'instructions de l'unité d'alimentation.

⚠ MISE EN GARDE : Avant l'utilisation, ajustez l'attache et la sangle d'épaule sur une position confortable.

Labourage du sol

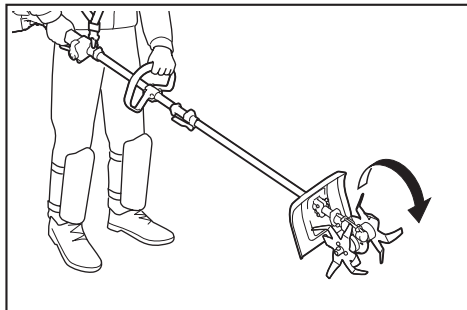
⚠ ATTENTION : Avant l'utilisation, retirez les objets durs et/ou longs tels que pierres, canettes et cordes de la zone de travail. Ils peuvent endommager la lame de rotor ou l'empêcher de tourner.

⚠ ATTENTION : Lorsque vous labourez le sol avec le motoculteur, ne vous déplacez pas plus vite qu'en marchant.

⚠ ATTENTION : Lorsque vous marchez avec le motoculteur activé ou tirez dessus, gardez une distance sûre entre vos pieds et les lames de rotor.

La lame de rotor tourne dans le sens illustré.

Choisissez la façon adéquate de cultiver selon la dimension de la zone de travail, le type de terrain et l'état du sol.



Utilisation de base

Pressez les lames de rotor contre le sol puis faites accélérer le moteur. Déplacez-les alternativement vers l'avant et l'arrière.

Désagrégation du sol

Tenez le motoculteur fermement et labourez à la profondeur désirée.

Mélange d'un amendement de sol

Épandez uniformément un amendement de sol tel que du compost, des feuilles, des fertilisants, etc. Appliquez les lames de rotor et mélangez l'amendement de sol au sol.

Creusement de sillons

Tirez lentement les lames de rotor vers l'arrière. S'il est difficile d'obtenir la profondeur désirée en une seule passe, tracez de nouveau la ligne labourée.

AVIS : Les racines des plantes peuvent être endommagées par le labourage. Faites attention à la profondeur de labourage s'il y a des plantes à proximité.

NOTE : Les racines et autres débris de plantes peuvent s'enchevêtrer dans les lames de rotor. Le cas échéant, arrêtez le moteur et retirez la lame de rotor de la boîte d'engrenage, puis enlevez les débris.

ENTRETIEN

⚠ MISE EN GARDE : Avant de procéder à l'inspection ou à l'entretien de l'équipement, coupez le moteur et retirez le capuchon de bougie d'allumage ou la batterie. Autrement, l'outil de coupe ou d'autres pièces pourraient se déplacer et entraîner une grave blessure.

⚠ MISE EN GARDE : Déposez toujours l'équipement avant de procéder à l'inspection ou à l'entretien. Assembler ou régler l'équipement en le laissant debout peut entraîner une grave blessure.

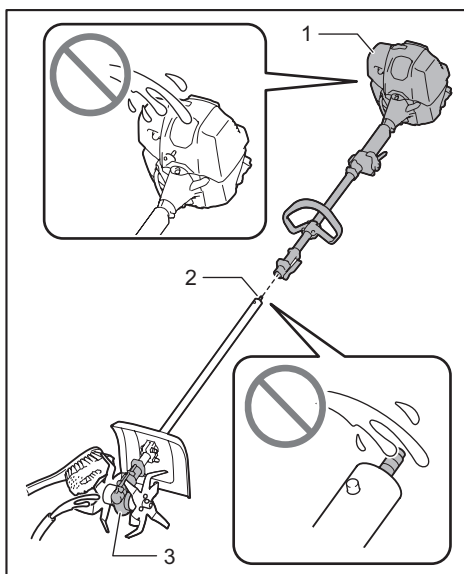
⚠ MISE EN GARDE : Respectez les mises en garde et prenez les précautions du chapitre « CONSIGNES DE SÉCURITÉ » et du manuel d'instructions de l'unité d'alimentation.

AVIS : N'utilisez jamais d'essence, de benzène, de solvant, d'alcool ou autres produits similaires. Une décoloration, une déformation ou la formation de fissures peuvent en découler.

Pour maintenir la SÉCURITÉ et la FIABILITÉ du produit, les réparations et tout autre travail d'entretien ou de réglage doivent être effectués dans un centre de service après-vente autorisé ou une usine Makita, exclusivement avec des pièces de rechange Makita.

Nettoyage du motoculteur

Le motoculteur peut être lavé à l'eau. Utilisez une brosse en nylon ou similaire pour enlever les saletés. Pour faciliter le nettoyage, vous pouvez retirer la lame de rotor de la boîte d'engrenage. Pour les instructions de retrait, reportez-vous à « Retrait des lames de rotor » sous la section « Remplacement des lames de rotor ».



► 1. Unité d'alimentation 2. Extrémité du tube 3. Boîte d'engrenage

AVIS : Ne versez pas d'eau sur l'unité d'alimentation et l'extrémité du tube, ni à l'intérieur de la boîte d'engrenage. Une fois la lame de rotor retirée, prenez garde de laisser des corps étrangers pénétrer dans la boîte d'engrenage. Cela peut causer un dysfonctionnement du motoculteur.

Inspection générale

- Serrez les boulons, écrous et vis desserrés.
- Vérifiez l'absence de pièces ou lames endommagées. Si nécessaire, demandez à un centre de service après-vente agréé de les remplacer.

Inspection des lames de rotor et du protecteur

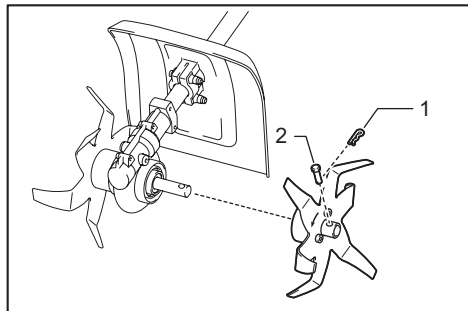
Vérifiez et nettoyez les lames de rotor et le protecteur quotidiennement. Remplacez-les s'ils sont usés, pliés ou fissurés.

Remplacement des lames de rotor

Accessoire en option

⚠ ATTENTION : Assurez-vous d'utiliser une authentique lame de rotor Makita.

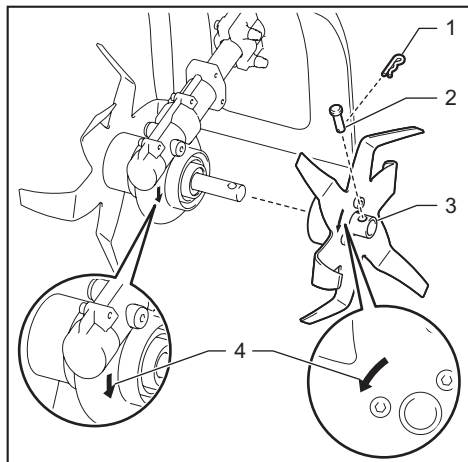
Retrait des lames de rotor



► 1. Attache 2. Broche de verrouillage

1. Retirez l'attache de la broche de verrouillage à l'aide d'une pince.
2. Retirez la broche de verrouillage.
3. Retirez la lame de rotor.
4. Retirez la lame de rotor de l'autre côté de la même façon que ci-dessus.

Pose des lames de rotor



► 1. Attache 2. Broche de verrouillage 3. Moyeu de la lame de rotor 4. Marque de flèche

1. Mettez le moyeu de la lame de rotor sur la boîte d'engrenage. Veillez à poser la lame de rotor de sorte que les marques de flèches, sur la lame de rotor et la boîte d'engrenage, pointent dans la même direction.
2. Insérez la broche de verrouillage dans l'orifice du moyeu de la lame de rotor.
3. Insérez l'attache dans l'orifice de la broche de verrouillage jusqu'à ce qu'elle soit bien fixée.
4. Posez la lame de rotor de l'autre côté de la même façon que ci-dessus.

Lubrification des pièces mobiles

AVIS : Suivez les instructions relatives à la fréquence et à la quantité de graisse fournie. Sinon, une lubrification insuffisante peut endommager les pièces mobiles.

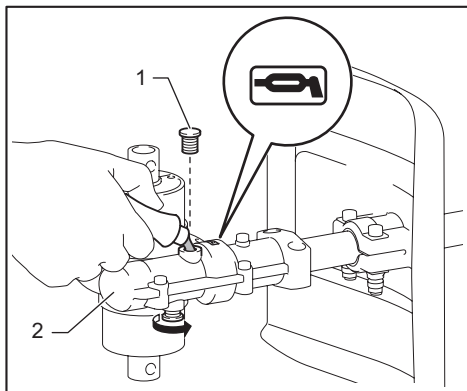
Boîte d'engrenage :

ATTENTION : N'appliquez pas de graisse lorsque la boîte d'engrenage est chaude. Une boîte d'engrenage chaude peut provoquer des blessures.

Mettez environ 30 ml de graisse (graisse Makita SG N° 0) uniformément dans le port de graissage toutes les 25 heures d'utilisation.

À l'aide de la clé hexalobulaire fournie, retirez le boulon près de la marque de lubrification sur la boîte d'engrenage. Desserrez le boulon de l'autre côté, de sorte que l'air présent dans la boîte d'engrenage puisse être libéré lors de l'application de la graisse.

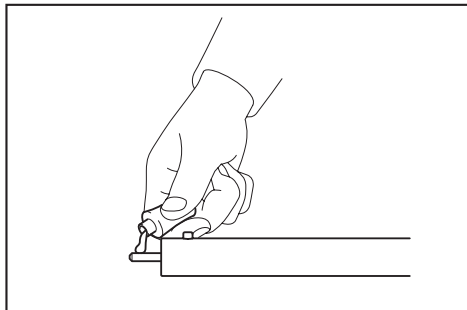
Après avoir appliqué la graisse, pensez à serrer les boulons.



► 1. Boulon 2. Boîte d'engrenage

Axe d'entraînement :

Appliquez de la graisse (graisse Makita SG N° 0) toutes les 25 heures d'utilisation.

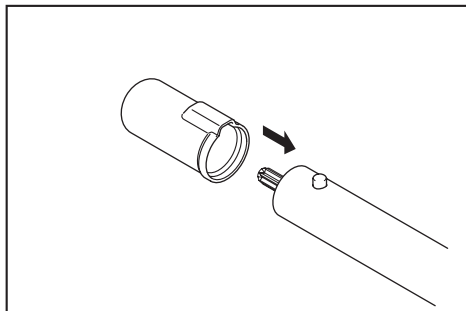


NOTE : Vous pouvez vous procurer de la graisse Makita authentique chez votre détaillant Makita local.

Rangement

⚠ MISE EN GARDE : Respectez les mises en garde et prenez les précautions du chapitre « CONSIGNES DE SÉCURITÉ » et du manuel d'instructions de l'unité d'alimentation.

Lorsque vous rangez la fixation séparément de l'unité d'alimentation, mettez le capuchon sur l'extrémité de l'arbre.



Intervalle d'inspection et de maintenance

Heures d'utilisation		Avant l'utilisation	Quotidiennement (10 h)	25 h
Toute l'unité	Inspectez visuellement les pièces endommagées.	✓	-	-
Toutes les vis de fixation et tous les écrous	Serrer	✓	-	-
Lames de rotor et protecteur	Nettoyez les pièces et vérifiez visuellement l'absence de dommages.	-	✓	-
Boîte d'engrenage	Graissez.	-	-	✓
Axe d'entraînement	Graissez.	-	-	✓
Unité d'alimentation	Reportez-vous au manuel d'instructions de l'unité d'alimentation.			

DÉPANNAGE

Avant de faire une demande de réparation, faites d'abord votre propre inspection. Si vous rencontrez un problème non recensé dans ce manuel, n'essayez pas de démonter la machine. Demandez plutôt à un centre de service après-vente Makita agréé de faire la réparation avec des pièces de rechange Makita.

État anormal	Cause probable (dysfonctionnement)	Solution
Le moteur ne démarre pas.	-	Reportez-vous au manuel d'instructions de l'unité d'alimentation.
Le moteur s'arrête peu après avoir démarré.	-	Reportez-vous au manuel d'instructions de l'unité d'alimentation.
Le moteur n'accélère pas.	-	Reportez-vous au manuel d'instructions de l'unité d'alimentation.
La lame de rotor ne tourne pas. ⇒ Arrêtez immédiatement le moteur.	Les tubes de l'unité d'alimentation et de la tête moto-bineuse ne sont pas bien connectés.	Connectez les tubes correctement.
	Lame de rotor coincée dans une racine, etc.	Retirez le corps étranger.
	Système d'entraînement anormal	Contactez un centre de service après-vente agréé pour faire réparer.
L'unité d'alimentation vibre de manière anormale. ⇒ Arrêtez immédiatement le moteur.	Lame de rotor cassée ou pliée.	Remplacez la lame de rotor.
	Fixation lâche de la lame de rotor.	Serrez fermement les vis sur la lame de rotor.
	Fixation irrégulière de la lame de rotor.	Posez la lame de rotor correctement.
	Système d'entraînement anormal	Contactez un centre de service après-vente agréé pour faire réparer.
Les lames de rotor continuent de tourner même après la libération de la gâchette ou du levier. ⇒ Arrêtez immédiatement le moteur.	L'unité d'alimentation ne fonctionne pas bien.	Ajustez la vitesse de ralenti si l'unité d'alimentation est actionnée par un moteur à essence. Contactez un centre de service après-vente agréé pour faire réparer.

ACCESSOIRES EN OPTION

⚠ ATTENTION : Ces accessoires ou pièces complémentaires sont recommandés pour l'utilisation avec l'outil Makita spécifié dans ce manuel. L'utilisation de tout autre accessoire ou pièce complémentaire peut comporter un risque de blessure. N'utilisez les accessoires ou pièces complémentaires qu'aux fins auxquelles ils ont été conçus.

Si vous désirez obtenir plus de détails sur ces accessoires, veuillez contacter le centre de service après-vente Makita le plus près.

- Ensemble de lames de rotor (G/D)

NOTE : Certains éléments de la liste peuvent être inclus avec l'outil comme accessoires standards. Ils peuvent varier suivant les pays.

ESPECIFICACIONES

Modelo:	KR401MP
Dimensiones: largo x ancho x alto (con la cuchilla del rotor)	933 mm x 235 mm x 256 mm (36-3/4" x 9-1/4" x 10-1/8")
Peso neto	3,2 kg (7,0 lbs)
Ancho del cultivo	220 mm (8-5/8")
Diámetro externo de la cuchilla del rotor	220 mm (8-5/8")
Relación de engranajes	1/43

- Debido a nuestro programa continuo de investigación y desarrollo, las especificaciones aquí dadas están sujetas a cambios sin previo aviso.
- Las especificaciones pueden variar de país a país.

Unidad motorizada aprobada






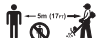

Este accesorio está aprobado para usarse únicamente con la(s) siguiente(s) unidad(es) motorizada(s):

- Herramienta Multifuncional EX2650LH
- Herramienta Multifuncional Inalámbrica BUX360, BUX361, BUX362, UX360D, UX361D, UX362D, DUX60, XUX01

⚠ADVERTENCIA: Nunca utilice el accesorio con una unidad motorizada no aprobada. Una combinación no aprobada podría causar lesiones graves.

Símbolos

Los siguientes símbolos son utilizados en el accesorio y en este manual de instrucciones. Usted deberá entender estas definiciones.

	¡Ponga especial cuidado y atención!
	Lea el manual de instrucciones.
	¡Lleve puesto un casco protector así como protección en ojos y oídos!
	Use botas resistentes con suelas antideslizantes. ¡Se recomienda el uso de botas de seguridad con puntas de acero!
	Mantenga su cuerpo alejado de las cuchillas giratorias.
	Mantenga alejadas a las personas alrededor a por lo menos 5 m (17 ft) de distancia.
	Superficies calientes - Quemaduras de los dedos o las manos.

Uso pretendido

Este accesorio ha sido diseñado exclusivamente con la finalidad de cultivar el suelo junto con una unidad motorizada aprobada. Nunca use el accesorio para ningún otro propósito. Hacer un mal uso del accesorio puede causar lesiones graves.

ADVERTENCIAS DE SEGURIDAD

Advertencias de seguridad para el cultivador

⚠ADVERTENCIA: Antes de usarlo, lea todas las advertencias de seguridad, instrucciones, ilustraciones y especificaciones proporcionadas con esta máquina así como el manual de instrucciones de la unidad motorizada. El no seguir todas las instrucciones indicadas abajo podría ocasionar un incendio y/o lesiones graves tanto al operador como a las personas alrededor.

Guarde todas las advertencias e instrucciones para su futura referencia.

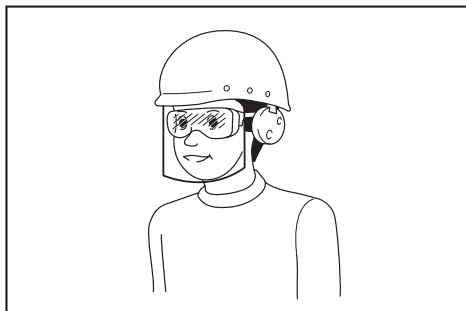
Los términos "cultivador" y "máquina" en las advertencias y precauciones hacen referencia a la combinación del accesorio y la unidad motorizada.

El término "motor" en las advertencias y precauciones hace referencia al motor o al motor eléctrico de la unidad motorizada.

Seguridad general

1. Los operadores primerizos o sin experiencia deberán solicitar capacitación al distribuidor para familiarizarse con la operación de esta máquina. Nunca permita que los niños ni las personas con capacidades físicas, sensoriales o mentales reducidas, o que no cuenten con experiencia ni conocimientos o no estén familiarizadas con las instrucciones utilicen la máquina.

- Se recomienda prestar la máquina únicamente a personas que demuestren tener la experiencia necesaria. Siempre que preste la desbrozadora entregue también el manual de instrucciones.
- Manténgase alerta, preste atención a lo que está haciendo y utilice su sentido común cuando opere la máquina. Nunca utilice la máquina si está cansado, se siente enfermo o está bajo la influencia de drogas, alcohol o medicamentos. Un momento de distracción mientras opera la máquina podría ocasionar lesiones personales graves.
- Evite usar la máquina en condiciones de mal clima, especialmente cuando exista riesgo de rayos.
- Tome en cuenta los reglamentos nacionales y locales relativos al uso de máquinas motorizadas en exteriores.
- Nunca intente modificar la máquina.
- Tenga presente que el operador o usuario es responsable de los accidentes o peligros que le ocurran a otras personas o a su propiedad.



Es responsabilidad del empleador obligar a los operadores de la herramienta y demás personas en el área de trabajo inmediata a usar equipos de protección adecuados.

Seguridad en el área de trabajo

⚠️ ADVERTENCIA: Mantenga el cultivador alejado de las líneas eléctricas y los cables de comunicación. Tocar o acercarse a las líneas de alta tensión con el cultivador puede provocar la muerte o lesiones graves. Esté al pendiente de los cables eléctricos y cercas eléctricas alrededor del área de trabajo antes de comenzar la operación.

- Opere la máquina únicamente en condiciones de buena visibilidad y a la luz del día. No opere la máquina en la oscuridad o la niebla.
- Ponga en marcha y opere el motor únicamente en exteriores en un área bien ventilada. La operación en un área cerrada o con poca ventilación puede causar la muerte por asfixia o envenenamiento por monóxido de carbono.
- Antes de la operación, examine el área de trabajo para ver si hay alambres, piedras u otros objetos sólidos. Estos pueden dañar las cuchillas del rotor.
- Durante la operación, nunca se coloque sobre una superficie inestable o resbalosa o una pendiente inclinada. Durante las estaciones de frío, tenga cuidado con el hielo y la nieve y siempre asegúrese de pisar sobre suelo firme.
- Evite trabajar cerca de rejas y cepas o raíces de árboles. Estos pueden dañar las cuchillas del rotor.
- Evite trabajar cerca de edificios, vehículos y otro tipo de bienes. Si el cultivador golpea contra piedras y desechos, estos podrían dañarse.

Equipo de protección personal

- Use siempre pantalones largos pesados, botas resistentes, guantes y camisas de manga larga. Evite llevar ropa holgada, alhajas, shorts, sandalias o estar descalzo. Amarre su cabello de manera que éste quede sobre el nivel de los hombros.

- Utilice siempre gafas protectoras para proteger sus ojos de lesiones al usar la máquina. Las gafas deben cumplir con las normas ANSI Z87.1 en EUA, EN 166 en Europa, o AS/NZS 1336 en Australia y Nueva Zelanda. En Australia y Nueva Zelanda es requerido por ley usar máscara protectora para proteger su cara también.
- Utilice protección para los oídos tal como orejeras. La exposición al ruido puede producir pérdida auditiva.
- Lleve siempre un calzado resistente con suela antiderrapante. Esto protegerá a sus pies de lesiones y asegurará que pise firmemente.
- Utilice una máscara contra polvo si es necesario.

Reabastecimiento

- Detenga el motor antes de efectuar el reabastecimiento. Manténgase alejado de las llamas expuestas y chispas. Nunca fume durante el reabastecimiento. De lo contrario podría existir riesgo de incendio y/o explosión.
- Efectúe el reabastecimiento en exteriores. Realizar el reabastecimiento en una habitación cerrada podría causar una explosión a causa del vapor de combustible.
- Evite el contacto con el combustible o el aceite del motor. No inhale el vapor de combustible. Si llegara a derramarse combustible o aceite, limpie la máquina y/o el suelo de inmediato. Si el combustible se derramara sobre su ropa, cámbiese inmediatamente para evitar que su ropa prenda fuego.
- Después de efectuar el reabastecimiento, apriete con cuidado la tapa del tanque de combustible y verifique que no haya fugas de combustible. Aléjese a por lo menos 3 m (10 ft) de distancia tanto de la fuente como del sitio de abastecimiento antes de poner en marcha el motor.
- Únicamente transporte y almacene combustible en contenedores aprobados. Mantenga a los niños alejados del lugar donde el combustible está almacenado.

Puesta en marcha del cultivador

1. **Antes de ensamblar o ajustar la máquina, apague el motor y retire la tapa de la bujía o el cartucho de batería.**
2. **Antes de manipular las cuchillas del rotor, póngase guantes protectores.**
3. **Póngase el equipo de protección personal antes de arrancar el motor.**
4. **Antes de arrancar el motor, inspeccione la máquina para ver que no haya daños, tornillos/ tuercas flojas o un ensamblado incorrecto. Verifique que todas las palancas de control e interruptores se accionen fácilmente. Limpie y seque los mangos.**
5. **Nunca intente arrancar el motor si la máquina está dañada o no se ha ensamblado completamente con los protectores, placas y demás dispositivos protectores de seguridad adecuados. De lo contrario, esto podría ocasionar lesiones graves.**
6. **Antes de arrancar el motor, revise cuidadosamente que la cuchilla del rotor no esté tocando el suelo, su cuerpo u otros objetos. Arrancar el motor con la cuchilla del rotor haciendo contacto con un objeto extraño puede causar un accidente grave.**
7. **Antes de arrancar el motor, asegúrese de que no haya ninguna persona o animal en el área de trabajo.**
8. **Ajuste el arnés para hombro y la empuñadura de mano para adaptarlos al tamaño del cuerpo del operador.**
9. **Reemplace las cuchillas del rotor si están agrietadas, dobladas o dañadas. Si las cuchillas del rotor están dañadas, estas podrían romperse durante la operación y ocasionar una lesión grave.**
10. **Sólo ponga en marcha y opere la máquina en exteriores en un área bien ventilada. La operación en un área cerrada o con poca ventilación puede causar la muerte por asfixia o envenenamiento por monóxido de carbono.**
11. **Cuando vaya a arrancar el motor, coloque la máquina sobre suelo firme y luego mantenga el equilibrio pisando firmemente.**
12. **Al jalar la perilla del arrancador del motor, sostenga la unidad motorizada firmemente contra el suelo con su mano izquierda. Nunca se pare sobre el eje de transmisión de la unidad motorizada.**
13. **Si las cuchillas del rotor se mueven al ralentí, detenga el motor y reduzca la velocidad de ralentí del motor. De lo contrario, un contacto accidental con la cuchilla del rotor en movimiento podría ocasionar alguna lesión grave.**
14. **Detenga el motor de inmediato si observa cualquier problema con el mismo.**
15. **Siga el manual de instrucciones de la unidad motorizada para arrancar el motor.**

Transporte

1. **Apague el motor durante el transporte. De lo contrario, un arranque accidental podría causar alguna lesión.**
2. **Asegúrese de que la máquina esté en una posición segura cuando la transporte en un vehículo a fin de evitar fugas de combustible.**

3. **Levante la máquina por completo del suelo cuando vaya a transportarla. Arrastrar la máquina podría provocar daños al tanque de combustible así como fugas de combustible ocasionando un incendio.**
4. **Cuando transporte el equipo, cárguelo en posición horizontal sujetando el eje. Mantenga el silenciador caliente alejado de su cuerpo.**

Operación

1. **Durante la operación, mantenga a las personas o animales alrededor a por lo menos 5 m (17 ft) de distancia del cultivador. Detenga el motor en cuanto alguien se acerque.**
2. **En caso de emergencia, apague el motor de inmediato.**
3. **Si percibe cualquier condición inusual (p. ej., ruido o vibración) durante la operación, apague el motor. No utilice la máquina hasta que la causa haya sido reconocida y resuelta.**
4. **Con el motor funcionando únicamente al ralentí, coloque el arnés para hombro.**
5. **Durante la operación, utilice el arnés para hombro. Mantenga la máquina de su lado derecho con firmeza.**



6. **Sujete el mango delantero con la mano izquierda y la empuñadura trasera con la mano derecha, sin importar si es diestro o zurdo. Rodee los mangos con sus dedos y pulgares.**
7. **Nunca intente operar la máquina con una mano. La pérdida de control podría ocasionar lesiones graves o fatales. Para reducir el riesgo de lesiones por cortaduras, mantenga sus manos y pies alejados de las cuchillas del rotor.**
8. **Durante la operación, no levante las cuchillas del rotor por encima de la altura de su cintura.**
9. **Las cuchillas del rotor continuarán moviéndose durante un corto período después de soltar el gatillo del acelerador o apagar el motor. No se apresure a tocar las cuchillas del rotor.**
10. **No utilice la herramienta donde no alcance. Mantenga los pies sobre suelo firme y el equilibrio en todo momento. Observe si hay obstáculos ocultos tales como cepas de árboles, raíces y zanjas para evitar pezar.**

11. **Tenga extrema precaución al invertir la rotación de las cuchillas o al jalar la máquina hacia usted. Si la unidad motorizada cuenta con función de rotación inversa, evite usarla más de lo necesario.** Cuando opere el cultivador con rotación inversa, este lo empujará si las cuchillas del rotor están sobre el suelo.
12. **No sobrecargue la máquina rebasando su capacidad al intentar cultivar demasiado profundo a una velocidad demasiado rápida.** La máquina trabajará mejor si es utilizada con una carga adecuada y existe menos probabilidad de un riesgo de lesión.
13. **No acelere el motor con las cuchillas del rotor bloqueadas.** Esto incrementará la carga y dañará la máquina.
14. **Tenga cuidado cuando cultive en suelo duro.** Los dientes podrían atorarse en el suelo y empujar el cultivador hacia adelante. Si esto ocurre, suelte los mangos y no frene la máquina.
15. **Si la máquina recibe un golpe fuerte o se cae, revise su estado antes de continuar el trabajo.** Verifique que el sistema de combustible no presente fugas y que los controles y dispositivos de seguridad funcionen correctamente. En caso de daños o dudas, solicite la inspección y reparación a nuestro centro de servicio autorizado.
16. **No toque la caja de engranajes.** La caja de engranajes se calienta durante la operación.
17. **Tome un descanso para evitar la pérdida de control a causa de la fatiga.** Recomendamos tomar de 10 a 20 minutos de descanso cada hora.
18. **Cuando vaya a dejar la máquina desatendida, aunque sea por poco tiempo, apague siempre el motor o retire el cartucho de batería.** Si la máquina se deja desatendida con el motor funcionando, alguna persona no autorizada podría utilizarla y provocar un accidente grave.
19. **Siga el manual de instrucciones de la unidad motorizada para el uso correcto de la palanca de control y el interruptor.**
20. **Durante o después de la operación, evite colocar la máquina caliente sobre césped seco o materiales combustibles.**
21. **Si llega a atorarse maleza o algo similar en las cuchillas del rotor, apague el motor, retire la tapa de la bujía o el cartucho de batería, y luego elimine las obstrucciones.**
22. **Mantenga sus manos y pies alejados de las cuchillas del rotor.** El contacto con las cuchillas del rotor podría ocasionar lesiones graves. Cuando vaya a manipular las cuchillas del rotor, detenga el motor y retire la tapa de la bujía o el cartucho de batería.
23. **Revise frecuentemente las cuchillas del rotor durante la operación para ver que no haya grietas o bordes desafilados.**
24. **Siempre apague el motor o retire el cartucho de batería cuando vaya a retirar restos de plantas, tales como raíces, enredados en las cuchillas del rotor.**
25. **Consulte el manual de instrucciones de la unidad motorizada para ver cómo arrancar el motor y controlar la máquina.**

Vibración

La exposición a una vibración excesiva podría dañar los vasos sanguíneos o el sistema nervioso del operador y causar los siguientes síntomas en dedos, manos o muñecas: “Adormecimiento” (entumecimiento), hormigueo, dolor, sensaciones de punzadas, alteraciones en la piel o en el color de ésta. Si cualquiera de estos síntomas se presenta, consulte a un médico.

Para reducir el riesgo de la “enfermedad del dedo blanco”, conserve sus manos calientes durante la operación y mantenga el equipo y accesorios en buenas condiciones.

Mantenimiento

1. **Antes de realizar cualquier trabajo de mantenimiento, reparación o limpieza de la máquina, apague siempre el motor y retire la tapa de la bujía o el cartucho de batería.** Espere hasta que el motor se enfríe.
2. **Para reducir el riesgo de incendio, nunca dé servicio al equipo cerca del fuego.**
3. **Use siempre guantes protectores cuando manipule las cuchillas del rotor.**
4. **Limpie siempre el polvo y la suciedad del equipo.** Nunca utilice gasolina, bencina, disolvente, alcohol o sustancias similares para ese propósito. Esto podría ocasionar decoloración, deformación o grietas en los componentes de plástico.
5. **Después de cada uso, apriete todos los tornillos y tuercas, excepto los tornillos de ajuste del carburador.**
6. **Mantenga afiladas las cuchillas del rotor.** Reemplace las cuchillas del rotor si están desafiladas.
7. **Nunca repare cuchillas del rotor dobladas o rotas enderezándolas o soldándolas.** Esto podría causar que se desprendieran partes de las cuchillas del rotor y ocasionar lesiones graves. Póngase en contacto con nuestro centro de servicio autorizado para solicitar cuchillas del rotor de reemplazo originales.
8. **No intente realizar ningún tipo de mantenimiento o reparación que no esté descrito en este folleto o en el manual de instrucciones de la unidad motorizada.** Solicite este tipo de trabajo a nuestro centro de servicio autorizado.
9. **Siga las instrucciones para la lubricación y el cambio de los accesorios.**
10. **Siempre utilice únicamente piezas de repuesto y accesorios originales.** El uso de piezas o accesorios suministrados por un tercero podría provocar fallas en el equipo, daños materiales y/o lesiones graves.
11. **Solicite a nuestro centro de servicio autorizado que inspeccione y dé mantenimiento a la máquina de manera periódica.**

Almacenamiento

1. **Antes de almacenar la máquina, realice una limpieza completa y déle mantenimiento.** Retire la tapa de la bujía o el cartucho de batería. Drene el combustible una vez que el motor se haya enfriado.

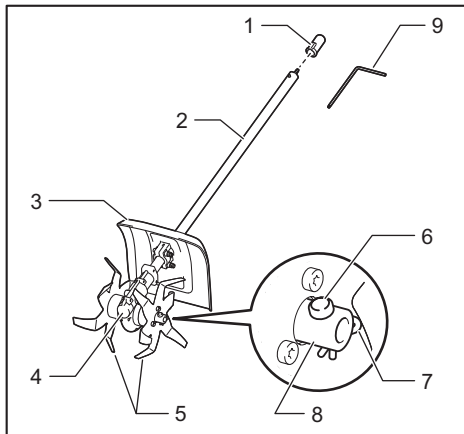
2. Almacene el equipo en un lugar seco, en alto y bajo llave fuera del alcance de los niños.
3. No apoye el equipo contra algún objeto, tal como una pared. De lo contrario, podría caer repentinamente y causar una lesión.

Primeros auxilios

1. En caso de accidente asegúrese de contar con un botiquín de primeros auxilios bien abastecido cerca del lugar donde se realicen las operaciones de corte. Reemplace de inmediato cualquier artículo que se utilice del botiquín.
2. Cuando solicite ayuda, proporcione la siguiente información:
 - Lugar del accidente
 - Qué fue lo que ocurrió
 - Número de personas lesionadas
 - Tipo de lesiones
 - Su nombre

⚠ADVERTENCIA: El uso de este producto puede producir polvo que contenga sustancias químicas que podrían causar enfermedades respiratorias o de otro tipo. Algunos ejemplos de estas sustancias químicas son los compuestos encontrados en pesticidas, insecticidas, fertilizantes y herbicidas. El riesgo al que se expone varía, dependiendo de la frecuencia con la que realice este tipo de trabajo. Para reducir la exposición a estas sustancias químicas: trabaje en un área bien ventilada y use un equipo de seguridad aprobado, tal como las máscaras contra polvo que están especialmente diseñadas para filtrar partículas microscópicas.

DESCRIPCIÓN DE LAS PIEZAS



- 1. Tapa 2. Tubo 3. Protector 4. Caja de engranajes 5. Cuchilla del rotor 6. Perno de bloqueo 7. Horquilla 8. Bujes 9. Llave hexalobular

MONTAJE

⚠ADVERTENCIA: Antes de ensamblar o ajustar el equipo, apague el motor y retire el capuchón de la bujía o el cartucho de batería. De lo contrario, la herramienta de corte u otras piezas podrían moverse y ocasionar lesiones graves.

⚠ADVERTENCIA: Antes de manipular las cuchillas del rotor, póngase guantes protectores. Durante el ensamble o ajuste, sus dedos podrían entrar en contacto con la cuchilla del rotor ocasionando lesiones graves.

⚠ADVERTENCIA: Cuando ensamble o ajuste el equipo, déjelo siempre en el suelo. El ensamble o ajuste del equipo en una posición vertical podría ocasionar lesiones graves.

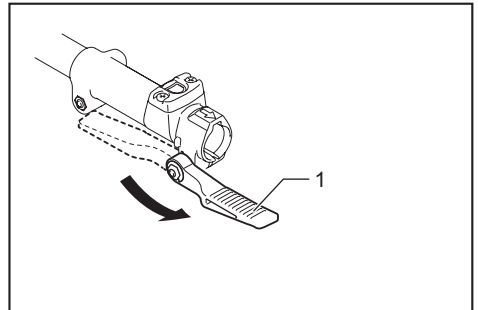
⚠ADVERTENCIA: Siga las advertencias y precauciones contenidas en el capítulo "ADVERTENCIAS DE SEGURIDAD" y el manual de instrucciones de la unidad motorizada.

Ensamble del aditamento del tubo

⚠PRECAUCIÓN: Verifique siempre que el aditamento del tubo quede asegurado después de la instalación. Una instalación incorrecta podría causar que el aditamento se desprendiera de la unidad motorizada ocasionando alguna lesión personal.

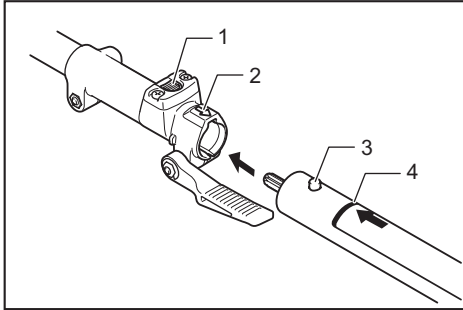
Ensamble el aditamento del tubo en la unidad motorizada.

1. Gire la palanca hacia el aditamento.



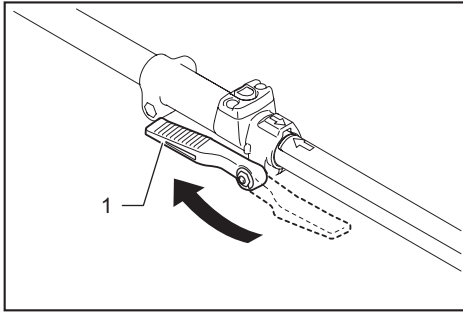
- 1. Palanca

2. Alinee el pasador con la marca de flecha. Inserte el aditamento del tubo hasta que el botón de liberación aparezca. Asegúrese de que la línea de posición esté en la punta de la marca de flecha.



- 1. Botón de liberación 2. Marca de flecha
3. Pasador 4. Línea de posición

3. Gire la palanca hacia la unidad motorizada.

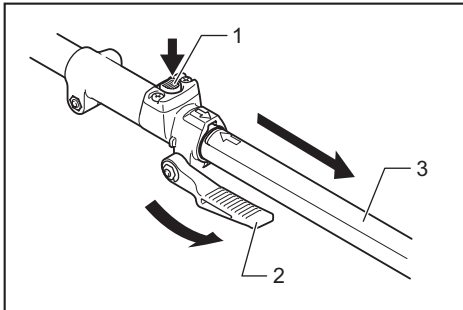


- 1. Palanca

Asegúrese de que la superficie de la palanca se encuentre paralela al tubo.

AVISO: No apriete la palanca sin que el aditamento del tubo esté insertado. De lo contrario, la palanca podría apretar demasiado la entrada del eje de transmisión y dañarla.

Para extraer el tubo, gire la palanca hacia el aditamento y jale el tubo hacia afuera mientras presiona hacia abajo el botón de liberación.



- 1. Botón de liberación 2. Palanca 3. Tubo

OPERACIÓN

⚠ADVERTENCIA: Siga las advertencias y precauciones contenidas en el capítulo "ADVERTENCIAS DE SEGURIDAD" y el manual de instrucciones de la unidad motorizada.

⚠ADVERTENCIA: Ajuste el colgador y el arnés para hombro en la posición que le resulte cómoda antes de la operación.

Cultivo del suelo

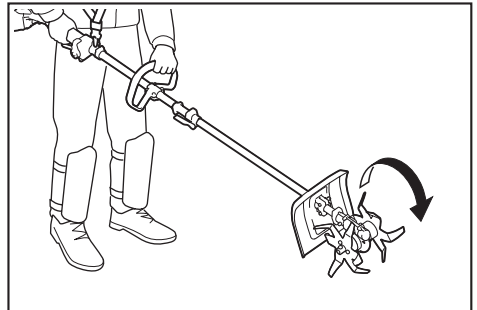
⚠PRECAUCIÓN: Antes de la operación, retire los objetos duros y/o largos tales como piedras, latas y cuerdas del área de trabajo. Estos pueden dañar la cuchilla del rotor o impedir su rotación.

⚠PRECAUCIÓN: Cuando cultive el suelo, no mueva el cultivador más rápido de la velocidad a la que camina.

⚠PRECAUCIÓN: Cuando camine con el cultivador en marcha o mientras lo esté jalando, mantenga una distancia segura entre sus pies y las cuchillas del rotor.

La cuchilla del rotor gira en la dirección que se muestra en la ilustración.

Elija la manera apropiada de cultivar en función del tamaño del área de trabajo, el terreno y la condición del suelo.



Operación básica

Presione las cuchillas del rotor contra el suelo y luego acelere el motor. Muévalas hacia adelante y hacia atrás alternativamente.

Desmenuzamiento de la tierra

Sujete con firmeza el cultivador y cultive a la profundidad deseada.

Mezcla de la tierra con productos mejoradores del suelo

Esparza el producto mejorador del suelo, tal como abono, hojas, fertilizante o similar de manera uniforme. Coloque las cuchillas del rotor y mezcle el producto mejorador del suelo con la tierra.

Cultivo en surcos

Lentamente arrastre las cuchillas del rotor hacia atrás. Puesto que es difícil llegar a la profundidad deseada en una pasada, trace la línea de cultivo nuevamente.

AVISO: Las raíces de las plantas podrían dañarse al preparar la tierra. Tenga cuidado con la profundidad de cultivo si hay plantas cerca.

NOTA: En las cuchillas del rotor pueden enredarse restos de plantas tales como raíces. En este caso, detenga el motor y extraiga la cuchilla del rotor de la caja de engranajes, y luego lave para eliminar los residuos.

MANTENIMIENTO

⚠ADVERTENCIA: Antes de inspeccionar o dar mantenimiento al equipo, apague el motor y retire el capuchón de la bujía o el cartucho de batería. De lo contrario, la herramienta de corte u otras piezas podrían moverse y ocasionar lesiones graves.

⚠ADVERTENCIA: Cuando inspeccione o dé mantenimiento al equipo, déjelo siempre en el suelo. El ensamble o ajuste del equipo en una posición vertical podría ocasionar lesiones graves.

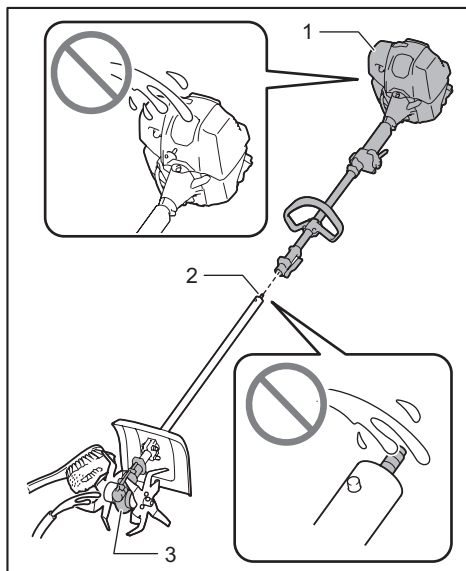
⚠ADVERTENCIA: Siga las advertencias y precauciones contenidas en el capítulo “ADVERTENCIAS DE SEGURIDAD” y el manual de instrucciones de la unidad motorizada.

AVISO: Nunca use gasolina, bencina, diluyente (tíner), alcohol o sustancias similares. Puede que esto ocasione grietas o descoloramiento.

Para mantener la SEGURIDAD y FIABILIDAD del producto, las reparaciones, y cualquier otra tarea de mantenimiento o ajuste deberán ser realizadas en centros de servicio autorizados o de fábrica Makita, empleando siempre repuestos Makita.

Limpieza del cultivador

El cultivador pueda lavarse con agua. Utilice un cepillo de nailon u objeto similar para limpiar la suciedad. Para una limpieza fácil, usted puede retirar la cuchilla del rotor de la caja de engranajes. Consulte la parte “Extracción de las cuchillas del rotor” en la sección “Reemplazo de las cuchillas del rotor” para ver cómo se retiran.



► 1. Unidad motorizada 2. Extremo del tubo 3. Caja de engranajes

AVISO: No vierta agua sobre la unidad motorizada, el extremo del tubo y el interior de la caja de engranajes. Una vez que haya extraído la cuchilla del rotor, tenga cuidado de no permitir que entren objetos extraños a la caja de engranajes. Esto podría causar una avería al cultivador.

Inspección general

- Apriete los pernos, tuercas y tornillos flojos.
- Verifique que no haya piezas o cuchillas dañadas. Solicite su reemplazo a nuestro centro de servicio autorizado en caso necesario.

Inspección de las cuchillas del rotor y el protector

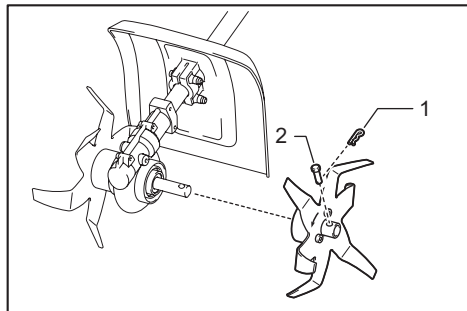
Revise y limpie las cuchillas del rotor y el protector diariamente. En caso de estar desgastados, doblados y agrietados, reemplácelos.

Reemplazo de las cuchillas del rotor

Accesorio opcional

⚠PRECAUCIÓN: Asegúrese de usar la cuchilla del rotor original de Makita.

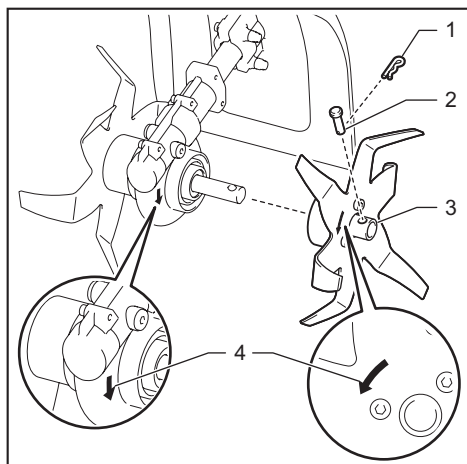
Extracción de las cuchillas del rotor



► 1. Horquilla 2. Perno de bloqueo

1. Retire la horquilla en el perno de bloqueo usando unas pinzas.
2. Retire el perno de bloqueo.
3. Retire la cuchilla del rotor.
4. Retire la cuchilla del rotor del otro lado en la misma forma que se indicó arriba.

Instalación de las cuchillas del rotor



► 1. Horquilla 2. Perno de bloqueo 3. Buje de la cuchilla del rotor 4. Marca de flecha

1. Coloque el buje de la cuchilla del rotor en la caja de engranajes. Asegúrese de instalar la cuchilla del rotor de manera que las marcas de flecha en la cuchilla del rotor y la caja de engranajes estén apuntando en la misma dirección.
2. Inserte el perno de bloqueo en el orificio del buje de la cuchilla del rotor.
3. Inserte la horquilla en el orificio del perno de bloqueo hasta que quede asegurada.
4. Instale la cuchilla del rotor del otro lado en la misma forma que se indicó arriba.

Lubricación de las piezas móviles

AVISO: Siga la instrucción sobre la frecuencia y cantidad de grasa suministrada. De lo contrario, una lubricación insuficiente podría dañar las piezas móviles.

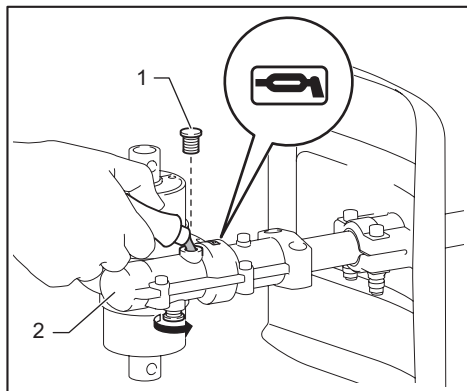
Caja de engranajes:

⚠PRECAUCIÓN: No aplique la grasa cuando la caja de engranajes esté caliente. Una caja de engranajes caliente puede provocar lesiones por quemaduras.

Vierta aprox. 30 ml de grasa (grasa Makita SG No. 0) de manera uniforme a través del puerto de suministro de grasa cada 25 horas de operación.

Con la llave hexalobular suministrada, retire el perno cerca de la marca de lubricación en la caja de engranajes. Afloje el perno del otro lado a fin de que el aire en la caja de engranajes pueda ser liberado al aplicar la grasa.

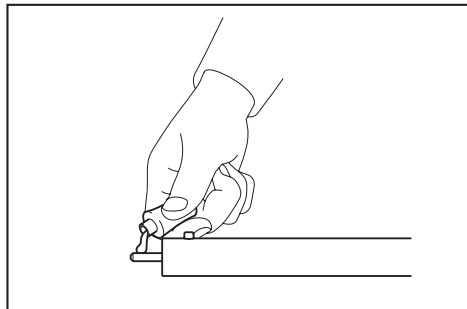
Después de aplicar la grasa, asegúrese de apretar los pernos.



► 1. Perno 2. Caja de engranajes

Eje de transmisión:

Aplique grasa (grasa Makita SG No. 0) cada 25 horas de operación.

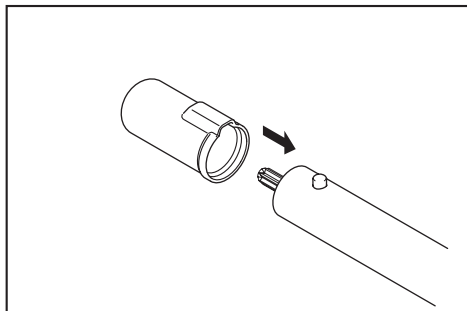


NOTA: Usted puede adquirir grasa original de Makita con el distribuidor Makita de su localidad.

Almacenamiento

⚠️ ADVERTENCIA: Siga las advertencias y precauciones contenidas en el capítulo “ADVERTENCIAS DE SEGURIDAD” y el manual de instrucciones de la unidad motorizada.

Cuando almacene el accesorio separado de la unidad motorizada, coloque la tapa en el extremo del eje.



Intervalo de inspección y mantenimiento

Hora de operación		Antes de la operación	Diariamente (10 h)	25 hras
Toda la unidad	Inspeccionar visualmente en busca de piezas dañadas	✓	-	-
Todos los tornillos y tuercas de fijación	Apretar	✓	-	-
Cuchillas del rotor y protector	Limpiar e inspeccionar visualmente en busca de piezas dañadas	-	✓	-
Caja de engranajes	Suministrar grasa	-	-	✓
Eje de transmisión	Suministrar grasa	-	-	✓
Unidad motorizada	Consultar el manual de instrucciones de la unidad motorizada			

RESOLUCIÓN DE PROBLEMAS

Antes de solicitar algún servicio de reparación, primero realice su propia inspección. Si detecta algún problema que no está explicado en el manual, no intente desmantelar la máquina. En vez de esto, póngase en contacto con un centro de servicio autorizado Makita, usando siempre piezas de repuesto Makita para la reparación.

Estado de la anomalía	Causa probable (avería)	Remedio
El motor no arranca.	-	Consulte el manual de instrucciones de la unidad motorizada.
El motor se detiene enseguida.	-	Consulte el manual de instrucciones de la unidad motorizada.
La velocidad del motor no se incrementa.	-	Consulte el manual de instrucciones de la unidad motorizada.
La cuchilla del rotor no gira. ⇒ Detenga el motor de inmediato.	Los tubos de la unidad motorizada y el accesorio para el cultivador no están conectados correctamente.	Conecte los tubos de manera correcta.
	En la cuchilla del rotor hay atorada una raíz o algo similar.	Retire el objeto extraño.
	Sistema de accionamiento anómalo	Solicite la reparación a un centro de servicio autorizado.
La unidad motorizada vibra de forma anormal. ⇒ Detenga el motor de inmediato.	La cuchilla del rotor está rota o doblada.	Reemplace la cuchilla del rotor.
	El accesorio de la cuchilla del rotor está suelto.	Apriete firmemente los tornillos en la cuchilla del rotor.
	El accesorio de la cuchilla del rotor no está instalado de manera uniforme.	Instale la cuchilla del rotor de manera correcta.
	Sistema de accionamiento anómalo	Solicite la reparación a un centro de servicio autorizado.
Las cuchillas del rotor continúan girando aun después de haber soltado el gatillo interruptor/palanca. ⇒ Detenga el motor de inmediato.	La unidad motorizada no funciona correctamente.	Ajuste la velocidad de ralentí si la unidad motorizada es operada mediante un motor de gasolina. Solicite la reparación a un centro de servicio autorizado.

ACCESORIOS OPCIONALES

⚠PRECAUCIÓN: Estos accesorios o aditamentos están recomendados para utilizarse con su herramienta Makita especificada en este manual. El empleo de cualquier otro accesorio o aditamento puede conllevar el riesgo de lesiones personales. Utilice los accesorios o aditamentos solamente para su fin establecido.

Si necesita cualquier ayuda para más detalles en relación con estos accesorios, pregunte a su centro de servicio local Makita.

- Juego de cuchillas de rotor (I/D)

NOTA: Algunos de los artículos en la lista pueden incluirse en el paquete de la herramienta como accesorios estándar. Éstos pueden variar de país a país.

Makita Corporation
3-11-8, Sumiyoshi-cho,
Anjo, Aichi 446-8502 Japan
www.makita.com

885638A947
KR401MP-1
EN, FRCA, ESMX
20171221