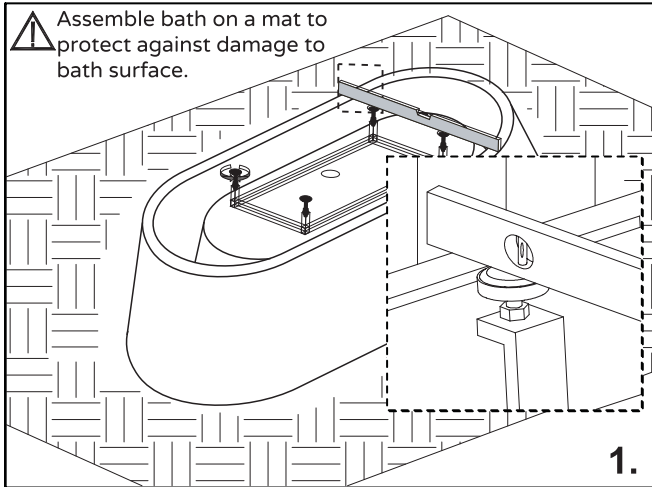
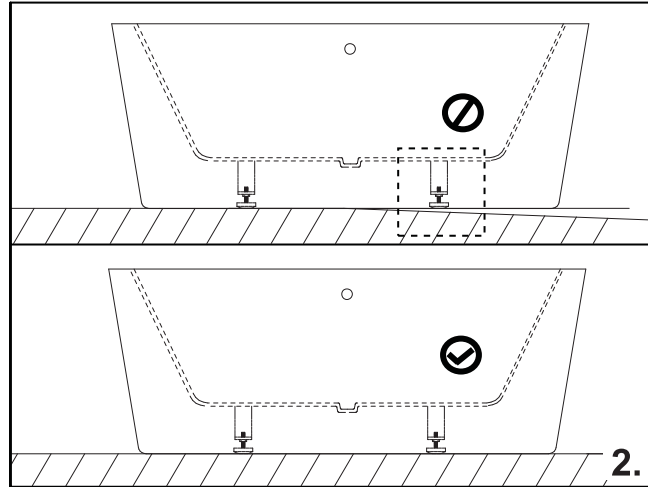


FREESTANDING TUB INSTALLATION

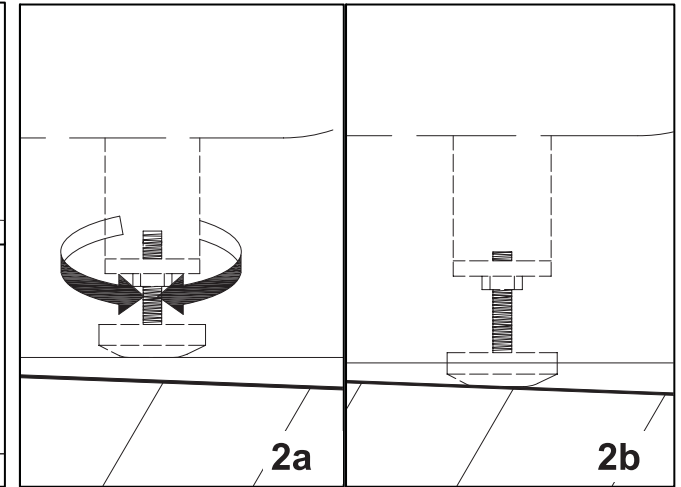
Model # PT-1003, PT-1003-150, PT-1006, PT-1043, 1043-150, PT-1051, & PT-1079



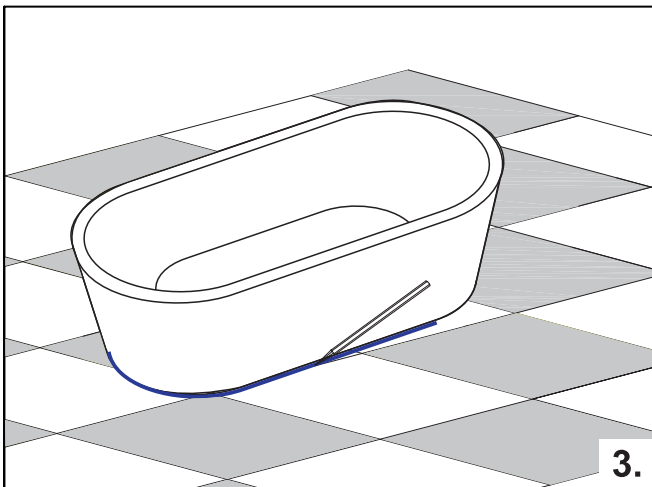
- Ensure legs are adjusted in line with the base of bath.



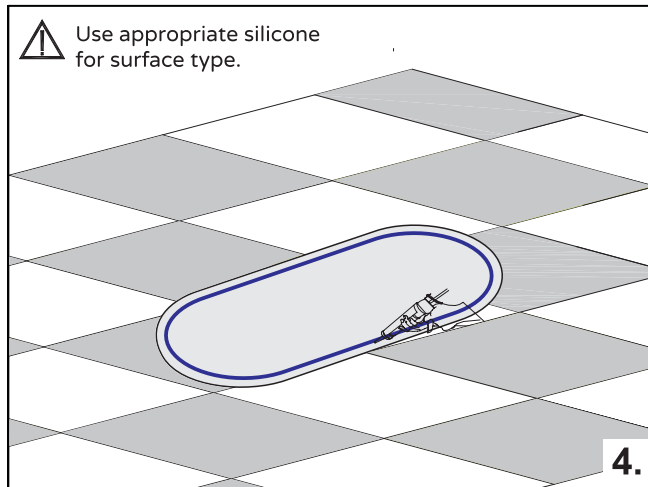
- Check that bath sits flat; if required, adjust legs to compensate for floor level.



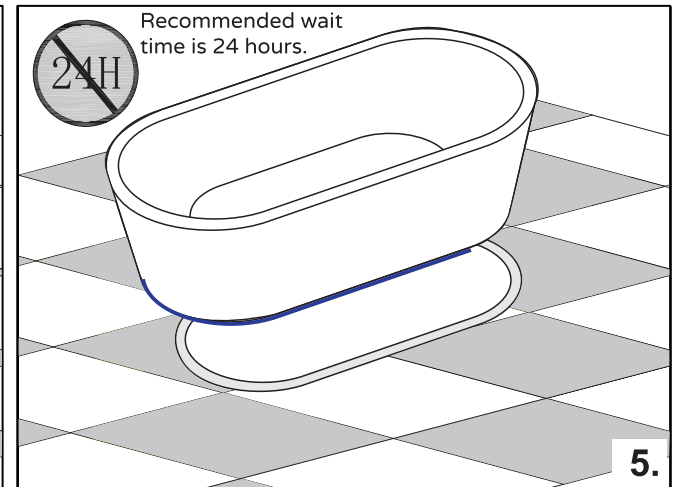
- Before step 3, set waste connection position.




- With pencil, trace outline of bath.



- Apply a thick bead of silicone within bath outline.



- Set bath in final position.

 This installation guide does not include details of waste connection. Final decision about installation of waste connection should be taken by a contractor.

FREESTANDING TUB INSTALLATION

Model # PT-1003, PT-1003-150, PT-1006, PT-1043, 1043-150, PT-1051, & PT-1079

