

# MULTI - ANGLE STAIR TREAD CUTTING SYSTEM

Want a tool that cuts installation time in half, while side stepping pattern scribing or using tricky technical techniques?

- QUICK, ACCURATE MEASUREMENTS
- USE AS A CUTTING GUIDE WHILE TRANSFERRING STAIR GEOMETRY TO RUBBER TREADS
- ADDITIONALLY USE TO MARK OUT HARDWOODS, TILE, CERAMICS, AND ANY OTHER HARD SURFACE MATERIAL
- PORTABLE AND LIGHTWEIGHT AT 6.5 LBS
- DEPTH ADJUSTMENT FROM 10" TO 13-1/4"
- ADDITIONAL EXTENSION KITS AVAILABLE FOR EXPANDED WIDTHS FROM 22-1/2" TO 9'-1/2"
- ADDITIONAL BLADE FRIENDLY SELF STORAGE BOX DOUBLES AS EXPANDED HEAVY DUTY CUTTING SURFACE
- ERGONOMIC KNOB LAYOUT FOR EASE OF USE
- ALL WALLPLATES ADJUST TO ALL WALL ANGLES
- 1/16" STEEL PLATES FOR MAXIMUM ACCURACY

DOES 1 PIECE  
STEP/RISER  
TREADS IN  
MINUTES

SHOWN:

STANDARD TREADMAN  
ADJ. FROM 35 1/4" TO 61 1/2"  
SKU: TRDM

EXTENSION KIT 3  
ADJ. FROM 22 1/2" TO 36"  
SKU: TRDM-EXT3



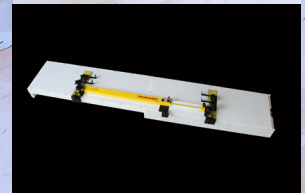
TOOL BOX/  
CUTTING BLOCK  
SKU: TRDMBO



THE COMPLETE LINEUP  
SKU: TRDM-LINEUP  
(COMPLETE LINEUP INCLUDES  
TRDM, TRDM-STEPKIT, TRDMBO,  
TRDM-EXT1, TRDM-EXT2,  
TRDM-EXT3)



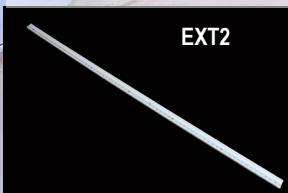
STANDARD TREADMAN  
WITH  
TOOL BOX/  
CUTTING BLOCK  
SKU:TRDMB1



EXTENSION KIT 1  
ADJ. FROM 4' 8 1/8" TO 6' 11"  
SKU: TRDM-EXT1



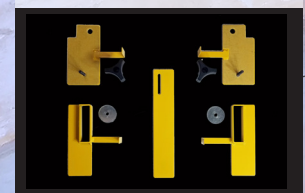
EXTENSION KIT 2  
ADJ. FROM 6' 10 3/8" TO 9' 1/2"  
SKU: TRDM-EXT2



1 PC STEP/RISER  
TEMPLATE KIT  
SKU: TRDM-STEPKIT



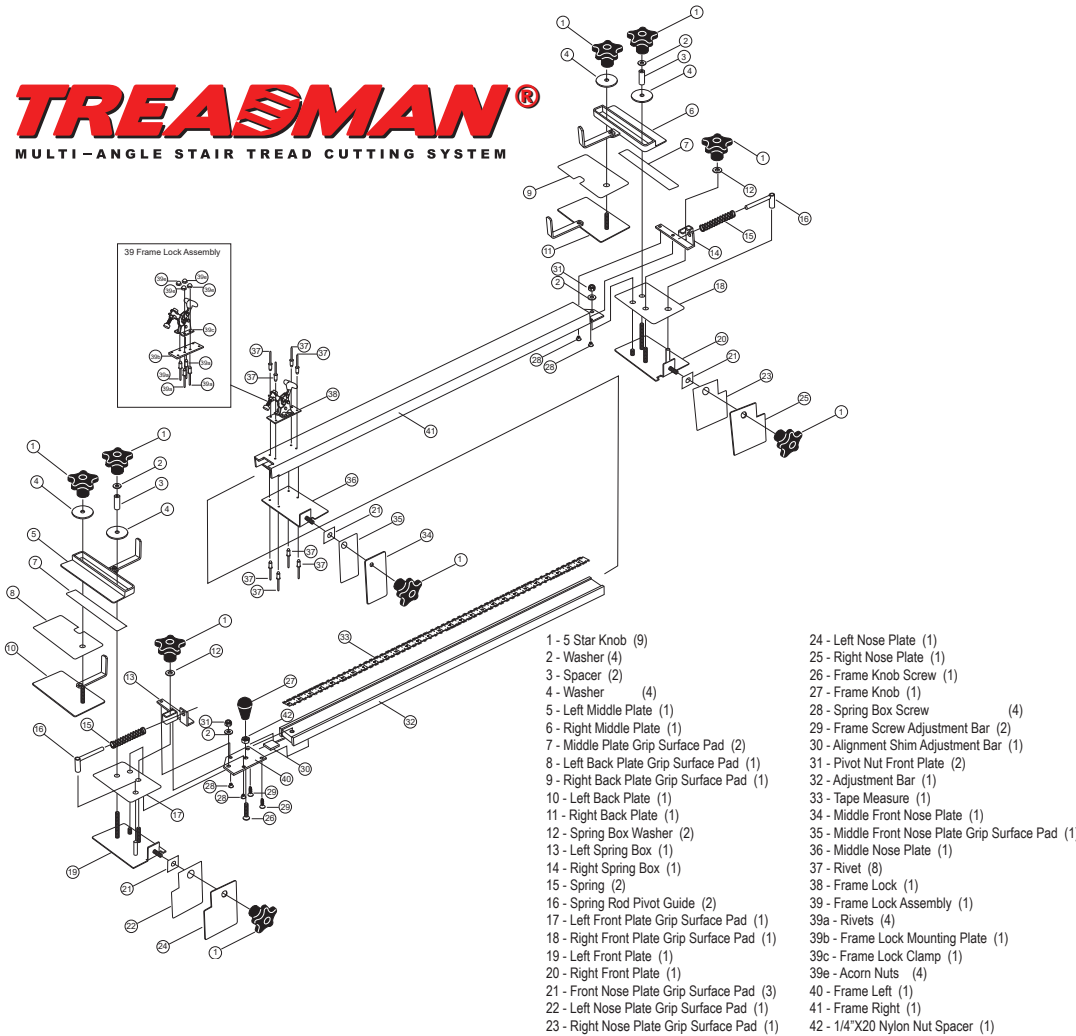
STEP DOWN  
RISER PLATE KIT  
SKU: TRD-SDRPK



# PRO KNEE®

## TREADMAN MULTI-ANGLE STAIR TREAD CUTTING SYSTEM

**TREADMAN®**  
MULTI-ANGLE STAIR TREAD CUTTING SYSTEM



### THE SPECS:

- Wall plates adjust to step depths from 10" to 13 1/4"
- Standard unit adjusts for step widths of 35 1/4" to 61 1/2"
- Extension kit 3 adjusts for step widths of 22 1/2" to 36"
- Extension kit 2 adjusts for step widths of 6' 10 3/8" to 9' 1/2"
- Extension kit 1 adjusts for step widths of 4' 8 7/8" to 6' 11"
- 1 piece Step/Riser Template Kit captures riser heights from 6" to 8"
- Rubber stairtread thickness gage automatically adjusts from 1/32" to 1/4"
- Standard unit weighs 6 1/2 lbs.
- Adjustment bar sub-assemblies made from self-lubricating, high density polyethylene
- 1/16" thick steel marking/cutting guide plates with 1/4 / 20 welded steel threaded studs
- 1st plane left and right adjustment plates use factory preloaded spring assemblies
- Sand finish powder coating on all metal sub-assemblies
- Main frame assembly constructed from 1" x 2" x 1/8" aluminum tubing
- Fully adjustable nose plates capture angles from 82° inward to unlimited on vertical nose plane
- Fully adjustable wall plates capture 76° inward to 96° outward on horizontal step plane
- Plate adjustment knob heights differentiation of 3/8"
- Tool Box dimensions closed 13 1/2" x 38 3/4" x 6 1/2"
- Maximum cutting surface of 13 1/2" x 6' 3 3/4" with a 1 7/8" vertical surface for cutting nosings
- Tool Box constructed from blade friendly high density polyethylene
- Weight of Tool Box without tool is 23 lbs.

### STEP DOWN RISER PLATE KIT

Sold separately

