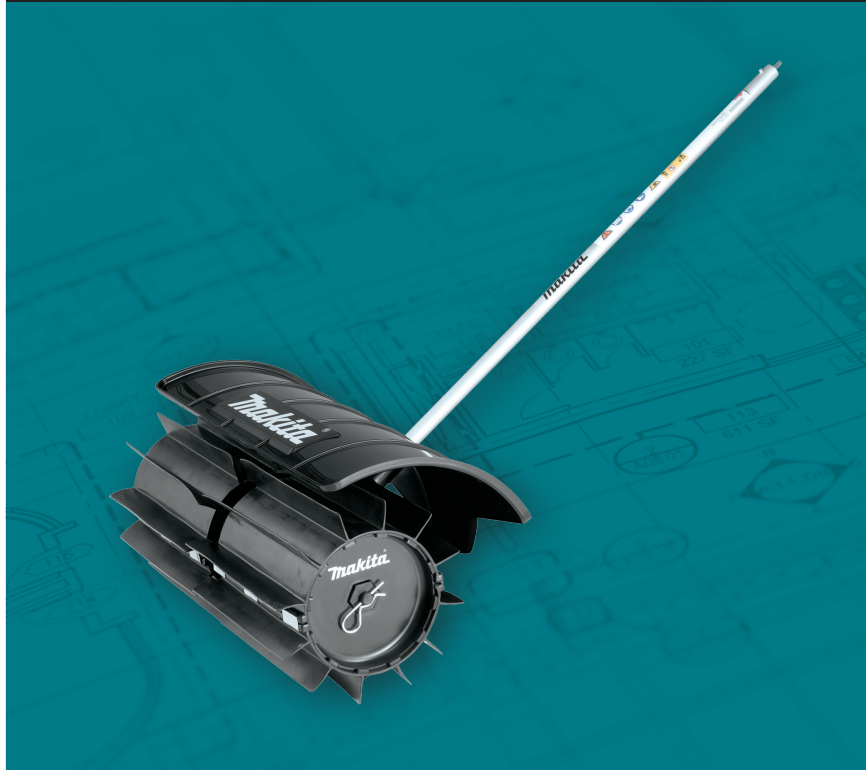


PADDLE SWEEP COUPLE SHAFT ATTACHMENT



PRODUCT HIGHLIGHTS



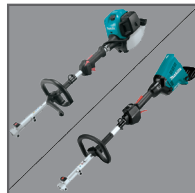
PRODUCTIVITY
Wide sweeping surface of 23-1/4" for maximum productivity



CONVENIENCE
Quickly attaches to power head for easy operation



DURABILITY
12 durable rubber paddles for optimum performance



COMPATIBILITY
For use with Makita Couple Shaft Power Heads XUX01Z and EX2650LH (sold separately)

RELATED PRODUCTS

1. 18V X2 (36V) LXT® Brushless Couple Shaft Power Head Kit with Trimmer Attachment (XUX01M5PT)
2. 18V X2 (36V) LXT® Brushless Couple Shaft Power Head (XUX01Z)
3. 25.4 cc MM4® 4-Stroke Couple Shaft Power Head (EX2650LH)
4. 10" Pole Saw Couple Shaft Attachment (EY401MP)
5. 20" Articulating Hedge Trimmer Couple Shaft Attachment (EN401MP)




NEW ACCESSORY OVERVIEW SW400MP

FEATURES

- Designed to remove pebbles, sand, or leaves without damaging grass and for clearing away water and light snow from hard pavements
- Ideal for construction waste and street maintenance
- Wide sweeping surface of 23-1/4" for maximum productivity
- 12 durable rubber paddles for optimum performance
- Steel drive shaft for less vibration and longer equipment life
- Quickly attaches to power head for easy operation
- For use with Makita Couple Shaft Power Heads XUX01Z and EX2650LH (sold separately)

SPECIFICATIONS

Sweeping Width	23-1/4"
Net Weight	15.8 lbs.
Shipping Weight	20.05 lbs.
UPC Code	088381-534116

STANDARD EQUIPMENT

- Removable Debris Shield
- (2) Paddle Sweeping Drum