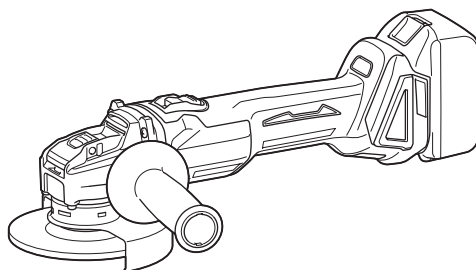


**INSTRUCTION MANUAL
MANUAL DE INSTRUCCIONES**



Cordless Angle Grinder Esmeriladora Angular Inalámbrica

XAG25



IMPORTANT: Read Before Using.

IMPORTANTE: Lea antes de usar.

SPECIFICATIONS

Model:	XAG25
Wheel diameter	125 mm (5") *
Max. wheel thickness	6 mm (1/4")
Rated speed (n)	8,500 /min
Overall length	375 mm (14-3/4")
Rated voltage	D.C. 18 V
Net weight	2.4 - 3.0 kg (5.3 - 6.6 lbs)

- * If you install optional wheel guard indicated as 4-1/2" on the tool, 115mm (4-1/2") wheels can be used.
- Due to our continuing program of research and development, the specifications herein are subject to change without notice.
- Specifications may differ from country to country.
- The weight may differ depending on the attachment(s), including the battery cartridge. The lightest and heaviest combination, according to EPTA-Procedure 01/2014, are shown in the table.

Applicable battery cartridge and charger

Battery cartridge	BL1815N / BL1820B / BL1830 / BL1830B / BL1840B / BL1850B / BL1860B
Charger	DC18RC / DC18RD / DC18RE / DC18SD / DC18SE / DC18SF / DC18SH

- Some of the battery cartridges and chargers listed above may not be available depending on your region of residence.

⚠WARNING: Only use the battery cartridges and chargers listed above. Use of any other battery cartridges and chargers may cause injury and/or fire.

Recommended battery adapter

Battery adapter	PDC01
-----------------	-------

- The battery adapter(s) listed above may not be available depending on your region of residence.
- Before using the battery adapter, read instruction and cautionary markings on the battery adapter.

SAFETY WARNINGS

General power tool safety warnings

⚠WARNING: Read all safety warnings, instructions, illustrations and specifications provided with this power tool. Failure to follow all instructions listed below may result in electric shock, fire and/or serious injury.

Save all warnings and instructions for future reference.

The term "power tool" in the warnings refers to your mains-operated (corded) power tool or battery-operated (cordless) power tool.

Work area safety

1. **Keep work area clean and well lit.** Cluttered or dark areas invite accidents.
2. **Do not operate power tools in explosive atmospheres, such as in the presence of flammable liquids, gases or dust.** Power tools create sparks which may ignite the dust or fumes.

3. **Keep children and bystanders away while operating a power tool.** Distractions can cause you to lose control.

Electrical Safety

1. **Power tool plugs must match the outlet. Never modify the plug in any way. Do not use any adapter plugs with earthed (grounded) power tools.** Unmodified plugs and matching outlets will reduce risk of electric shock.
2. **Avoid body contact with earthed or grounded surfaces, such as pipes, radiators, ranges and refrigerators.** There is an increased risk of electric shock if your body is earthed or grounded.
3. **Do not expose power tools to rain or wet conditions.** Water entering a power tool will increase the risk of electric shock.
4. **Do not abuse the cord. Never use the cord for carrying, pulling or unplugging the power tool. Keep cord away from heat, oil, sharp edges or moving parts.** Damaged or entangled cords increase the risk of electric shock.
5. **When operating a power tool outdoors, use an extension cord suitable for outdoor use.** Use of a cord suitable for outdoor use reduces the risk of electric shock.

6. **If operating a power tool in a damp location is unavoidable, use a ground fault circuit interrupter (GFCI) protected supply.** Use of a GFCI reduces the risk of electric shock.
7. **Power tools can produce electromagnetic fields (EMF) that are not harmful to the user.** However, users of pacemakers and other similar medical devices should contact the maker of their device and/or doctor for advice before operating this power tool.

Personal Safety

1. **Stay alert, watch what you are doing and use common sense when operating a power tool. Do not use a power tool while you are tired or under the influence of drugs, alcohol or medication.** A moment of inattention while operating power tools may result in serious personal injury.
2. **Use personal protective equipment. Always wear eye protection.** Protective equipment such as dust mask, non-skid safety shoes, hard hat, or hearing protection used for appropriate conditions will reduce personal injuries.
3. **Prevent unintentional starting. Ensure the switch is in the off-position before connecting to power source and/or battery pack, picking up or carrying the tool.** Carrying power tools with your finger on the switch or energising power tools that have the switch on invites accidents.
4. **Remove any adjusting key or wrench before turning the power tool on.** A wrench or a key left attached to a rotating part of the power tool may result in personal injury.
5. **Do not overreach. Keep proper footing and balance at all times.** This enables better control of the power tool in unexpected situations.
6. **Dress properly. Do not wear loose clothing or jewellery. Keep your hair, clothing and gloves away from moving parts.** Loose clothes, jewellery or long hair can be caught in moving parts.
7. **If devices are provided for the connection of dust extraction and collection facilities, ensure these are connected and properly used.** Use of dust collection can reduce dust-related hazards.
8. **Do not let familiarity gained from frequent use of tools allow you to become complacent and ignore tool safety principles.** A careless action can cause severe injury within a fraction of a second.
9. **Always wear protective goggles to protect your eyes from injury when using power tools. The goggles must comply with ANSI Z87.1 in the USA. It is an employer's responsibility to enforce the use of appropriate safety protective equipment by the tool operators and by other persons in the immediate working area.**

Power tool use and care

1. **Do not force the power tool. Use the correct power tool for your application.** The correct power tool will do the job better and safer at the rate for which it was designed.
2. **Do not use the power tool if the switch does not turn it on and off.** Any power tool that cannot be controlled with the switch is dangerous and must be repaired.
3. **Disconnect the plug from the power source and/or remove the battery pack, if detachable, from the power tool before making any adjustments, changing accessories, or storing power tools.** Such preventive safety measures reduce the risk of starting the power tool accidentally.
4. **Store idle power tools out of the reach of children and do not allow persons unfamiliar with the power tool or these instructions to operate the power tool.** Power tools are dangerous in the hands of untrained users.
5. **Maintain power tools and accessories. Check for misalignment or binding of moving parts, breakage of parts and any other condition that may affect the power tool's operation. If damaged, have the power tool repaired before use.** Many accidents are caused by poorly maintained power tools.
6. **Keep cutting tools sharp and clean.** Properly maintained cutting tools with sharp cutting edges are less likely to bind and are easier to control.
7. **Use the power tool, accessories and tool bits etc. in accordance with these instructions, taking into account the working conditions and the work to be performed.** Use of the power tool for operations different from those intended could result in a hazardous situation.
8. **Keep handles and grasping surfaces dry, clean and free from oil and grease.** Slippery handles and grasping surfaces do not allow for safe handling and control of the tool in unexpected situations.
9. **When using the tool, do not wear cloth work gloves which may be entangled.** The entanglement of cloth work gloves in the moving parts may result in personal injury.

Battery tool use and care

1. **Recharge only with the charger specified by the manufacturer.** A charger that is suitable for one type of battery pack may create a risk of fire when used with another battery pack.
2. **Use power tools only with specifically designated battery packs.** Use of any other battery packs may create a risk of injury and fire.
3. **When battery pack is not in use, keep it away from other metal objects, like paper clips, coins, keys, nails, screws or other small metal objects, that can make a connection from one terminal to another.** Shorting the battery terminals together may cause burns or a fire.
4. **Under abusive conditions, liquid may be ejected from the battery; avoid contact. If contact accidentally occurs, flush with water. If liquid contacts eyes, additionally seek medical help.** Liquid ejected from the battery may cause irritation or burns.
5. **Do not use a battery pack or tool that is damaged or modified.** Damaged or modified batteries may exhibit unpredictable behaviour resulting in fire, explosion or risk of injury.
6. **Do not expose a battery pack or tool to fire or excessive temperature.** Exposure to fire or temperature above 130 °C may cause explosion.
7. **Follow all charging instructions and do not charge the battery pack or tool outside the temperature range specified in the instructions.** Charging improperly or at temperatures outside the specified range may damage the battery and increase the risk of fire.

Service

1. **Have your power tool serviced by a qualified repair person using only identical replacement parts.** This will ensure that the safety of the power tool is maintained.
2. **Never service damaged battery packs.** Service of battery packs should only be performed by the manufacturer or authorized service providers.
3. **Follow instruction for lubricating and changing accessories.**
4. **Do not modify or attempt to repair the appliance or the battery pack except as indicated in the instructions for use and care.**

Cordless grinder safety warnings

Safety Warnings Common for Grinding, Sanding, Wire Brushing or Abrasive Cutting-Off Operations:

1. **This power tool is intended to function as a grinder, sander, wire brush or cut-off tool. Read all safety warnings, instructions, illustrations and specifications provided with this power tool.** Failure to follow all instructions listed below may result in electric shock, fire and/or serious injury.
2. **Operations such as polishing are not recommended to be performed with this power tool.** Operations for which the power tool was not designed may create a hazard and cause personal injury.
3. **Do not use accessories which are not specifically designed and recommended by the tool manufacturer.** Just because the accessory can be attached to your power tool, it does not assure safe operation.
4. **The rated speed of the accessory must be at least equal to the maximum speed marked on the power tool.** Accessories running faster than their rated speed can break and fly apart.
5. **The outside diameter and the thickness of your accessory must be within the capacity rating of your power tool.** Incorrectly sized accessories cannot be adequately guarded or controlled.
6. **Threaded mounting of accessories must match the grinder spindle thread. For accessories mounted by flanges, the arbour hole of the accessory must fit the locating diameter of the flange.** Accessories that do not match the mounting hardware of the power tool will run out of balance, vibrate excessively and may cause loss of control.
7. **Do not use a damaged accessory. Before each use inspect the accessory such as abrasive wheels for chips and cracks, backing pad for cracks, tear or excess wear, wire brush for loose or cracked wires. If power tool or accessory is dropped, inspect for damage or install an undamaged accessory. After inspecting and installing an accessory, position yourself and bystanders away from the plane of the rotating accessory and run the power tool at maximum no-load speed for one minute.** Damaged accessories will normally break apart during this test time.

8. **Wear personal protective equipment. Depending on application, use face shield, safety goggles or safety glasses. As appropriate, wear dust mask, hearing protectors, gloves and workshop apron capable of stopping small abrasive or workpiece fragments.** The eye protection must be capable of stopping flying debris generated by various operations. The dust mask or respirator must be capable of filtering particles generated by your operation. Prolonged exposure to high intensity noise may cause hearing loss.
9. **Keep bystanders a safe distance away from work area. Anyone entering the work area must wear personal protective equipment.** Fragments of workpiece or of a broken accessory may fly away and cause injury beyond immediate area of operation.
10. **Hold the power tool by insulated gripping surfaces only, when performing an operation where the cutting tool may contact hidden wiring.** Contact with a "live" wire will also make exposed metal parts of the power tool "live" and could give the operator an electric shock.
11. **Never lay the power tool down until the accessory has come to a complete stop.** The spinning accessory may grab the surface and pull the power tool out of your control.
12. **Do not run the power tool while carrying it at your side.** Accidental contact with the spinning accessory could snag your clothing, pulling the accessory into your body.
13. **Regularly clean the power tool's air vents.** The motor's fan will draw the dust inside the housing and excessive accumulation of powdered metal may cause electrical hazards.
14. **Do not operate the power tool near flammable materials.** Sparks could ignite these materials.
15. **Do not use accessories that require liquid coolants.** Using water or other liquid coolants may result in electrocution or shock.

Kickback and Related Warnings

Kickback is a sudden reaction to a pinched or snagged rotating wheel, backing pad, brush or any other accessory. Pinching or snagging causes rapid stalling of the rotating accessory which in turn causes the uncontrolled power tool to be forced in the direction opposite of the accessory's rotation at the point of the binding. For example, if an abrasive wheel is snagged or pinched by the workpiece, the edge of the wheel that is entering into the pinch point can dig into the surface of the material causing the wheel to climb out or kick out. The wheel may either jump toward or away from the operator, depending on direction of the wheel's movement at the point of pinching. Abrasive wheels may also break under these conditions.

Kickback is the result of power tool misuse and/or incorrect operating procedures or conditions and can be avoided by taking proper precautions as given below.

1. **Maintain a firm grip on the power tool and position your body and arm to allow you to resist kickback forces. Always use auxiliary handle, if provided, for maximum control over kickback or torque reaction during start-up.** The operator can control torque reactions or kickback forces, if proper precautions are taken.

2. **Never place your hand near the rotating accessory.** Accessory may kickback over your hand.
3. **Do not position your body in the area where power tool will move if kickback occurs.** Kickback will propel the tool in direction opposite to the wheel's movement at the point of snagging.
4. **Use special care when working corners, sharp edges etc. Avoid bouncing and snagging the accessory.** Corners, sharp edges or bouncing have a tendency to snag the rotating accessory and cause loss of control or kickback.
5. **Do not attach a saw chain woodcarving blade or toothed saw blade.** Such blades create frequent kickback and loss of control.

Safety Warnings Specific for Grinding and Abrasive Cutting-Off Operations:

1. **Use only wheel types that are recommended for your power tool and the specific guard designed for the selected wheel.** Wheels for which the power tool was not designed cannot be adequately guarded and are unsafe.
2. **The grinding surface of centre depressed wheels must be mounted below the plane of the guard lip.** An improperly mounted wheel that projects through the plane of the guard lip cannot be adequately protected.
3. **The guard must be securely attached to the power tool and positioned for maximum safety, so the least amount of wheel is exposed towards the operator.** The guard helps to protect the operator from broken wheel fragments, accidental contact with wheel and sparks that could ignite clothing.
4. **Wheels must be used only for recommended applications. For example: do not grind with the side of cut-off wheel.** Abrasive cut-off wheels are intended for peripheral grinding, side forces applied to these wheels may cause them to shatter.
5. **Always use undamaged wheel flanges that are of correct size and shape for your selected wheel.** Proper wheel flanges support the wheel thus reducing the possibility of wheel breakage. Flanges for cut-off wheels may be different from grinding wheel flanges.
6. **Do not use worn down wheels from larger power tools.** Wheel intended for larger power tool is not suitable for the higher speed of a smaller tool and may burst.

Additional Safety Warnings Specific for Abrasive Cutting-Off Operations:

1. **Do not "jam" the cut-off wheel or apply excessive pressure. Do not attempt to make an excessive depth of cut.** Overstressing the wheel increases the loading and susceptibility to twisting or binding of the wheel in the cut and the possibility of kickback or wheel breakage.
2. **Do not position your body in line with and behind the rotating wheel.** When the wheel, at the point of operation, is moving away from your body, the possible kickback may propel the spinning wheel and the power tool directly at you.

3. **When wheel is binding or when interrupting a cut for any reason, switch off the power tool and hold the power tool motionless until the wheel comes to a complete stop. Never attempt to remove the cut-off wheel from the cut while the wheel is in motion otherwise kickback may occur.** Investigate and take corrective action to eliminate the cause of wheel binding.
4. **Do not restart the cutting operation in the workpiece. Let the wheel reach full speed and carefully re-enter the cut.** The wheel may bind, walk up or kickback if the power tool is restarted in the workpiece.
5. **Support panels or any oversized workpiece to minimize the risk of wheel pinching and kickback.** Large workpieces tend to sag under their own weight. Supports must be placed under the workpiece near the line of cut and near the edge of the workpiece on both sides of the wheel.
6. **Use extra caution when making a "pocket cut" into existing walls or other blind areas.** The protruding wheel may cut gas or water pipes, electrical wiring or objects that can cause kickback.

Safety Warnings Specific for Sanding Operations:

1. **Do not use excessively oversized sanding disc paper. Follow manufacturers recommendations, when selecting sanding paper.** Larger sanding paper extending beyond the sanding pad presents a laceration hazard and may cause snagging, tearing of the disc or kickback.

Safety Warnings Specific for Wire Brushing Operations:

1. **Be aware that wire bristles are thrown by the brush even during ordinary operation. Do not overstress the wires by applying excessive load to the brush.** The wire bristles can easily penetrate light clothing and/or skin.
2. **If the use of a guard is recommended for wire brushing, do not allow any interference of the wire wheel or brush with the guard.** Wire wheel or brush may expand in diameter due to work load and centrifugal forces.

Additional Safety Warnings:

1. **When using depressed centre grinding wheels, be sure to use only fiberglass-reinforced wheels.**
2. **NEVER USE Stone Cup type wheels with this grinder.** This grinder is not designed for these types of wheels and the use of such a product may result in serious personal injury.
3. **Be careful not to damage the X-LOCK holder. Damage to the parts could result in wheel breakage.**
4. **Make sure the wheel is not contacting the workpiece before the switch is turned on.**
5. **Before using the tool on an actual workpiece, let it run for a while. Watch for vibration or wobbling that could indicate poor installation or a poorly balanced wheel.**
6. **Use the specified surface of the wheel to perform the grinding.**
7. **Do not leave the tool running. Operate the tool only when hand-held.**

8. Do not touch the workpiece immediately after operation; it may be extremely hot and could burn your skin.
9. Do not touch accessories immediately after operation; it may be extremely hot and could burn your skin.
10. Observe the instructions of the manufacturer for correct mounting and use of wheels. Handle and store wheels with care.
11. Do not use separate reducing bushings or adaptors to adapt large hole abrasive wheels.
12. Check that the workpiece is properly supported.
13. Pay attention that the wheel continues to rotate after the tool is switched off.
14. If working place is extremely hot and humid, or badly polluted by conductive dust, use a short-circuit breaker (30 mA) to assure operator safety.
15. Do not use the tool on any materials containing asbestos.
16. When use cut-off wheel, always work with the dust collecting wheel guard required by domestic regulation.
17. Cutting discs must not be subjected to any lateral pressure.
18. Do not use cloth work gloves during operation. Fibers from cloth gloves may enter the tool, which causes tool breakage.
19. Before operation, make sure that there is no buried object such as electric pipe, water pipe or gas pipe in the workpiece. Otherwise, it may cause an electric shock, electrical leakage or gas leak.

SAVE THESE INSTRUCTIONS.

⚠ WARNING: DO NOT let comfort or familiarity with product (gained from repeated use) replace strict adherence to safety rules for the subject product. MISUSE or failure to follow the safety rules stated in this instruction manual may cause serious personal injury.

Symbols

The followings show the symbols used for tool.

v	volts
— — —	direct current
n	rated speed
... /min r /min	revolutions or reciprocation per minute
∅	diameter

Important safety instructions for battery cartridge

1. Before using battery cartridge, read all instructions and cautionary markings on (1) battery charger, (2) battery, and (3) product using battery.
2. Do not disassemble or tamper the battery cartridge. It may result in a fire, excessive heat, or explosion.
3. If operating time has become excessively shorter, stop operating immediately. It may result in a risk of overheating, possible burns and even an explosion.
4. If electrolyte gets into your eyes, rinse them out with clear water and seek medical attention right away. It may result in loss of your eyesight.
5. Do not short the battery cartridge:
 - (1) Do not touch the terminals with any conductive material.
 - (2) Avoid storing battery cartridge in a container with other metal objects such as nails, coins, etc.
 - (3) Do not expose battery cartridge to water or rain.

A battery short can cause a large current flow, overheating, possible burns and even a breakdown.
6. Do not store and use the tool and battery cartridge in locations where the temperature may reach or exceed 50 °C (122 °F).
7. Do not incinerate the battery cartridge even if it is severely damaged or is completely worn out. The battery cartridge can explode in a fire.
8. Do not nail, cut, crush, throw, drop the battery cartridge, or hit against a hard object to the battery cartridge. Such conduct may result in a fire, excessive heat, or explosion.
9. Do not use a damaged battery.
10. The contained lithium-ion batteries are subject to the Dangerous Goods Legislation requirements.

For commercial transports e.g. by third parties, forwarding agents, special requirement on packaging and labeling must be observed. For preparation of the item being shipped, consulting an expert for hazardous material is required. Please also observe possibly more detailed national regulations.

Tape or mask off open contacts and pack up the battery in such a manner that it cannot move around in the packaging.
11. When disposing the battery cartridge, remove it from the tool and dispose of it in a safe place. Follow your local regulations relating to disposal of battery.
12. Use the batteries only with the products specified by Makita. Installing the batteries to non-compliant products may result in a fire, excessive heat, explosion, or leak of electrolyte.

13. If the tool is not used for a long period of time, the battery must be removed from the tool.
14. During and after use, the battery cartridge may take on heat which can cause burns or low temperature burns. Pay attention to the handling of hot battery cartridges.
15. Do not touch the terminal of the tool immediately after use as it may get hot enough to cause burns.
16. Do not allow chips, dust, or soil stuck into the terminals, holes, and grooves of the battery cartridge. It may result in poor performance or breakdown of the tool or battery cartridge.
17. Unless the tool supports the use near high-voltage electrical power lines, do not use the battery cartridge near high-voltage electrical power lines. It may result in a malfunction or breakdown of the tool or battery cartridge.
18. Keep the battery away from children.

SAVE THESE INSTRUCTIONS.

CAUTION: Only use genuine Makita batteries. Use of non-genuine Makita batteries, or batteries that have been altered, may result in the battery bursting causing fires, personal injury and damage. It will also void the Makita warranty for the Makita tool and charger.

Tips for maintaining maximum battery life

1. Charge the battery cartridge before completely discharged. Always stop tool operation and charge the battery cartridge when you notice less tool power.
2. Never recharge a fully charged battery cartridge. Overcharging shortens the battery service life.
3. Charge the battery cartridge with room temperature at 10 °C - 40 °C (50 °F - 104 °F). Let a hot battery cartridge cool down before charging it.
4. When not using the battery cartridge, remove it from the tool or the charger.
5. Charge the battery cartridge if you do not use it for a long period (more than six months).

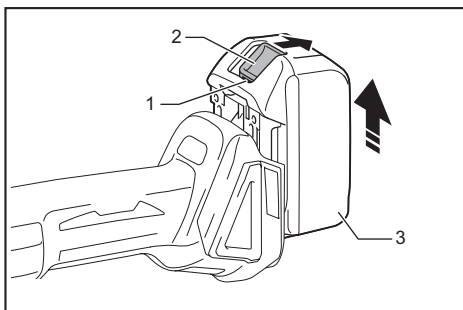
FUNCTIONAL DESCRIPTION

CAUTION: Always be sure that the tool is switched off and the battery cartridge is removed before adjusting or checking function on the tool.

Installing or removing battery cartridge

CAUTION: Always switch off the tool before installing or removing of the battery cartridge.

CAUTION: Hold the tool and the battery cartridge firmly when installing or removing battery cartridge. Failure to hold the tool and the battery cartridge firmly may cause them to slip off your hands and result in damage to the tool and battery cartridge and a personal injury.



► 1. Red indicator 2. Button 3. Battery cartridge

To remove the battery cartridge, slide it from the tool while sliding the button on the front of the cartridge.

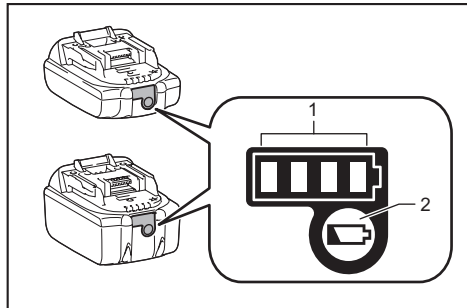
To install the battery cartridge, align the tongue on the battery cartridge with the groove in the housing and slip it into place. Insert it all the way until it locks in place with a little click. If you can see the red indicator on the upper side of the button, it is not locked completely.

CAUTION: Always install the battery cartridge fully until the red indicator cannot be seen. If not, it may accidentally fall out of the tool, causing injury to you or someone around you.

CAUTION: Do not install the battery cartridge forcibly. If the cartridge does not slide in easily, it is not being inserted correctly.

Indicating the remaining battery capacity

Only for battery cartridges with the indicator



► 1. Indicator lamps 2. Check button

Press the check button on the battery cartridge to indicate the remaining battery capacity. The indicator lamps light up for a few seconds.

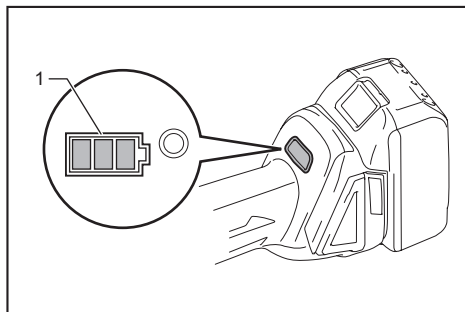
Indicator lamps			Remaining capacity
Lighted	Off	Blinking	
■ ■ ■ ■			75% to 100%
■ ■ ■ □			50% to 75%
■ ■ □ □			25% to 50%
■ □ □ □			0% to 25%
▨ □ □ □			Charge the battery.
■ ■ □ □			The battery may have malfunctioned.
□ □ ■ ■	↑ ↓		

NOTE: Depending on the conditions of use and the ambient temperature, the indication may differ slightly from the actual capacity.

NOTE: The first (far left) indicator lamp will blink when the battery protection system works.

Indicating the remaining battery capacity

When you turn the tool on, the battery indicator shows the remaining battery capacity.



► 1. Battery indicator

The remaining battery capacity is shown as the following table.

Battery indicator status			Remaining battery capacity
On	Off	Blinking	
■	□	▨	50% to 100%
			20% to 50%
			0% to 20%
			Charge the battery

Tool / battery protection system

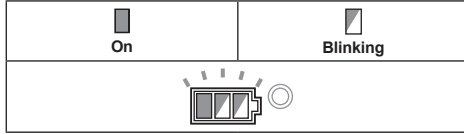
The tool is equipped with a tool/battery protection system. This system automatically cuts off power to the motor to extend tool and battery life. The tool will automatically stop during operation if the tool or battery is placed under one of the following conditions:

Overload protection

When the tool/battery is operated in a manner that causes it to draw an abnormally high current, the tool automatically stops without any indication. In this situation, turn the tool off and stop the application that caused the tool to become overloaded. Then turn the tool on to restart.

Overheat protection

When the tool is overheated, the tool stops automatically and the battery indicator shows following state. In this situation, let the tool cool before turning the tool on again.



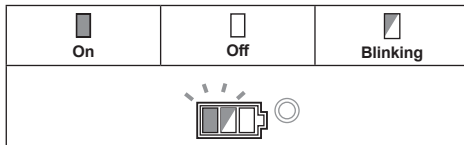
If the tool does not start, the battery may be overheated. In this situation, let the battery cool before starting the tool again.

Overdischarge protection

When the battery capacity is not enough, the tool stops automatically. In this case, remove the battery from the tool and charge the battery.

Releasing protection lock

When the protection system works repeatedly, the tool is locked and the battery indicator shows the following state. In this situation, the tool does not start even if turning the tool off and on. To release the protection lock, remove the battery, set it to the battery charger and wait until the charging finishes.

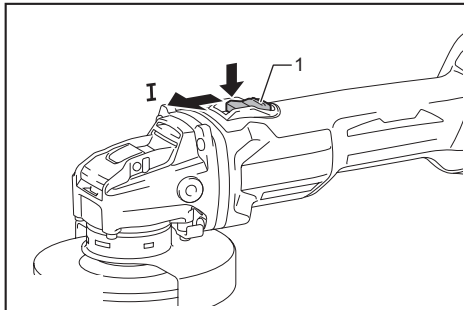


Switch action

CAUTION: Before installing the battery cartridge into the tool, always check to see that the slide switch actuates properly and returns to the "OFF" position when the rear of the slide switch is depressed.

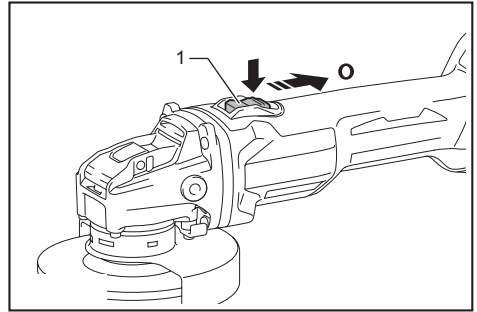
CAUTION: Switch can be locked in "ON" position for ease of operator comfort during extended use. Apply caution when locking tool in "ON" position and maintain firm grasp on tool.

To start the tool, press down the rear end of the slide switch and then slide it toward the "I (ON)" position. For continuous operation, press down the front end of the slide switch to lock it.



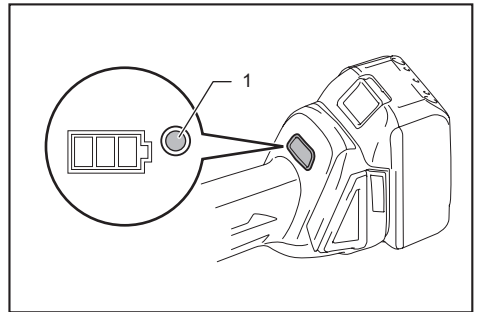
► 1. Slide switch

To stop the tool, press down the rear end of the slide switch so that it returns to the "O (OFF)" position.



► 1. Slide switch

Automatic speed change function



► 1. Mode indicator

Mode indicator status	Operation mode
	High speed mode
	High torque mode

This tool has "high speed mode" and "high torque mode". It automatically changes operation mode depending on the work load. When mode indicator lights up during operation, the tool is in high torque mode.

Accidental re-start preventive function

When installing the battery cartridge while the slide switch in the "I (ON)" position, the tool does not start. To start the tool, first slide the slide switch toward the "O (OFF)" position and then slide it toward the "I (ON)" position.

Electronic torque control function

The tool electronically detects situations where the wheel or accessory may be at risk to be bound. In the situation, the tool is automatically shut off to prevent further rotation of the spindle (it does not prevent kickback).

To restart the tool, switch off the tool first, remove the cause of sudden drop in the rotation speed, and then turn the tool on.

Soft start feature

Soft start feature reduces starting reaction.

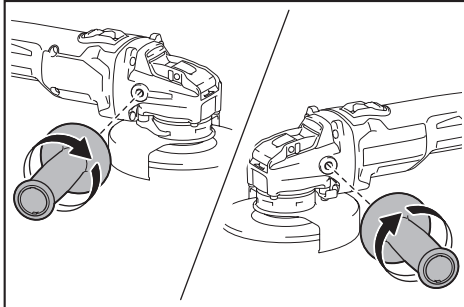
ASSEMBLY

⚠ CAUTION: Always be sure that the tool is switched off and the battery cartridge is removed before adjusting or checking function on the tool.

Installing side grip (handle)

⚠ CAUTION: Always be sure that the side grip is installed securely before operation.

Screw the side grip securely on the position of the tool as shown in the figure.



Installing or removing wheel guard

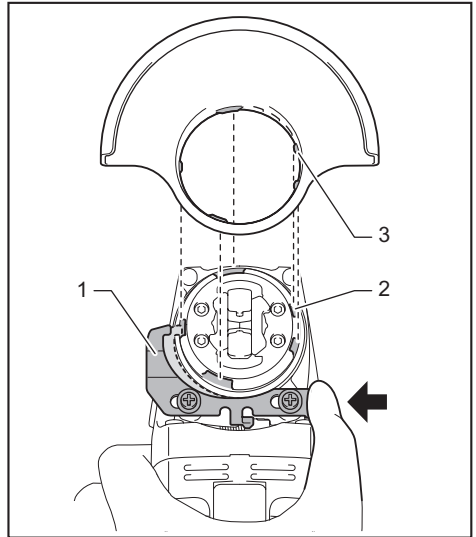
⚠ WARNING: When using a depressed center wheel, flap disc or wire wheel brush, the wheel guard must be fitted on the tool so that the closed side of the guard always points toward the operator.

⚠ WARNING: Make sure that the wheel guard is securely locked by the lock lever with one of the holes on the wheel guard.

⚠ WARNING: When using an abrasive cut-off / diamond wheel, be sure to use only the special wheel guard designed for use with cut-off wheels.

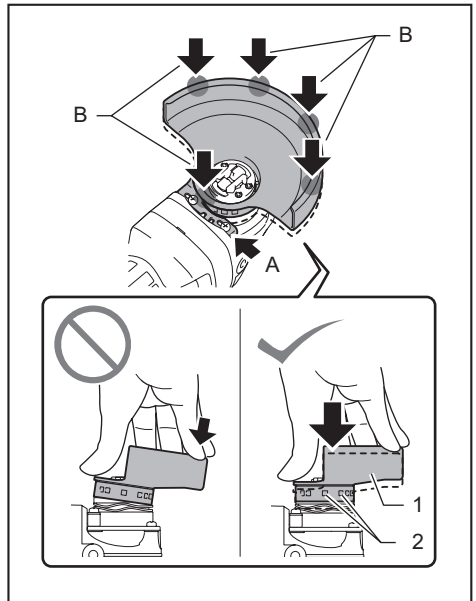
For depressed center wheel, flap disc, wire wheel brush / abrasive cut-off wheel, diamond wheel

1. While pushing the lock lever, mount the wheel guard with the protrusions on the wheel guard aligned with the notches on the bearing box.



► 1. Lock lever 2. Notch 3. Protrusion

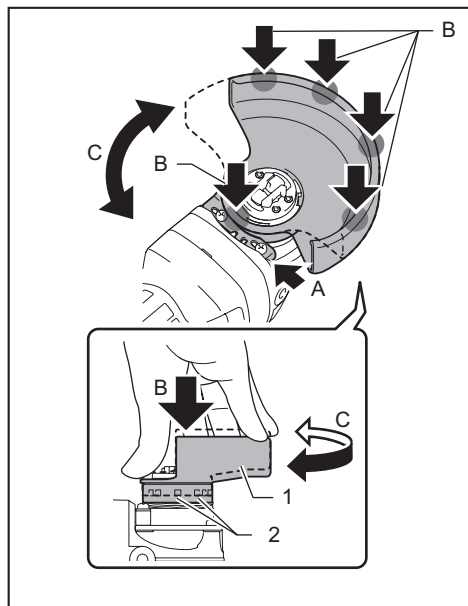
2. While pushing the lock lever toward A, push in the wheel guard by holding down the portions B as shown in the figure.



► 1. Wheel guard 2. Hole

NOTE: Push down the wheel guard straight. Otherwise, you cannot push the wheel guard completely.

3. While keeping the lock lever and wheel guard position as described in step 2, rotate the wheel guard toward C, and then, change the angle of the wheel guard according to the work.



► 1. Wheel guard 2. Hole

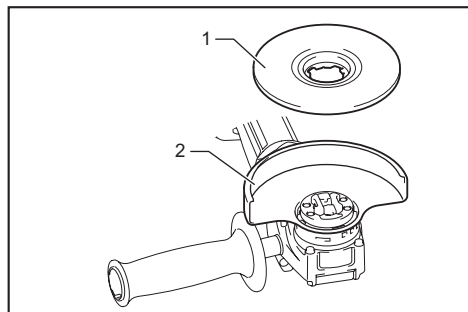
NOTE: Push the wheel guard completely. Otherwise, you cannot rotate the wheel guard.

To remove wheel guard, follow the installation procedure in reverse.

When using a depressed center wheel or flap disc

Optional accessory

WARNING: When using a depressed center wheel or a flap disc, the wheel guard must be fitted on the tool so that the closed side of the guard always points toward the operator.



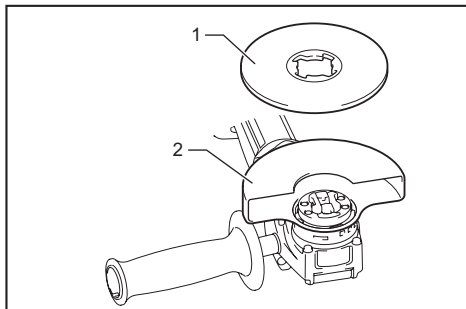
► 1. Depressed center wheel 2. Wheel guard

When using an abrasive cut-off / diamond wheel

Optional accessory

WARNING: When using an abrasive cut-off / diamond wheel, be sure to use only the special wheel guard designed for use with cut-off wheels.

WARNING: NEVER use cut-off wheel for side grinding.

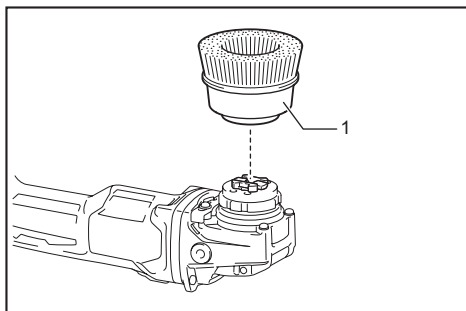


► 1. Abrasive cut-off wheel / diamond wheel 2. Wheel guard for abrasive cut-off wheel / diamond wheel

When using a wire cup brush

Optional accessory

CAUTION: Do not use wire cup brush that is damaged, or which is out of balance. Use of damaged brush could increase potential for injury from contact with broken brush wires.



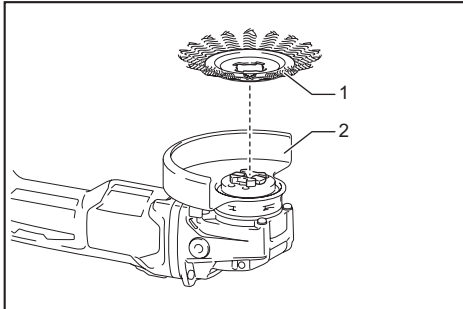
► 1. Wire cup brush

When using a wire wheel brush

Optional accessory

CAUTION: Do not use wire wheel brush that is damaged, or which is out of balance. Use of damaged wire wheel brush could increase potential for injury from contact with broken wires.

CAUTION: ALWAYS use guard with wire wheel brushes, assuring diameter of wheel fits inside guard. Wheel can shatter during use and guard helps to reduce chances of personal injury.



► 1. Wire wheel brush 2. Wheel guard

Installing or removing X-LOCK wheel

WARNING: Never actuate the release lever of the X-LOCK holder during operation. Make sure that the X-LOCK wheel has stopped completely when removing it. Otherwise, the X-LOCK wheel comes off from the tool and may cause serious injury.

CAUTION: Use only original X-LOCK wheels with the X-LOCK logo. This tool is dedicated to X-LOCK.

The maximum clamping gauge of 1.6 mm (1/16") can only be guaranteed with original X-LOCK wheels.

Use of any other wheels may lead to insecure clamping, and cause the clamp tool to come loose.

CAUTION: Do not touch the X-LOCK wheel immediately after operation. It may be extremely hot and could burn your skin.

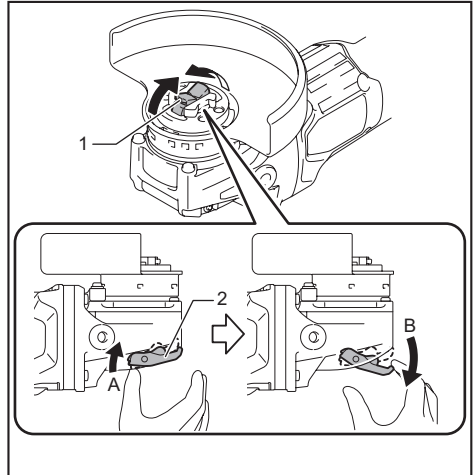
CAUTION: Make sure that the X-LOCK wheel and holder of the tool are not deformed and are free from dust or foreign matters.

CAUTION: Do not put your finger near the holder while installing or removing the X-LOCK wheel. It may pinch your finger.

CAUTION: Do not put your finger near the release lever while installing the X-LOCK wheel. It may pinch your finger.

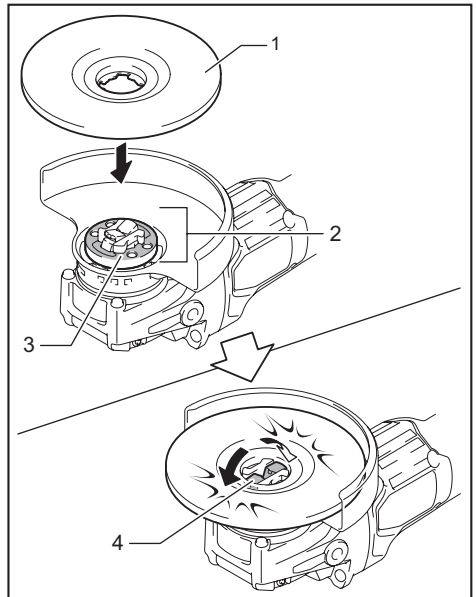
NOTE: No additional parts such as inner flanges or lock nuts are required to install or remove the X-LOCK wheels.

1. To install the X-LOCK wheel, make sure that both catches are in the unlocked position. If not, push the release lever from A side to lift B side, then pull the release lever from B side as illustrated. The catches are set in the unlocked position.



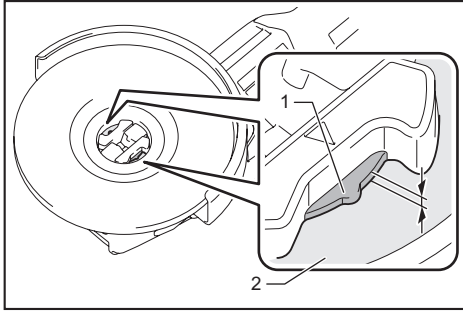
► 1. Catch 2. Release lever

2. Place a central position of the X-LOCK wheel on the holder. Make sure the X-LOCK wheel is parallel to the flange surface and with the correct side facing up.
3. Push the X-LOCK wheel into the holder. The catches snap into the lock position with a click and fix the X-LOCK wheel.



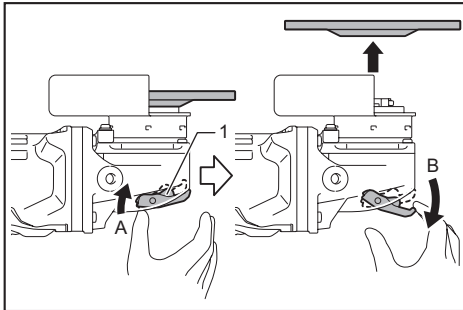
► 1. X-LOCK wheel 2. Holder 3. Flange surface 4. Catch

4. Make sure the X-LOCK wheel is fixed correctly. The surface of the X-LOCK wheel is no higher than the surface of the holder as shown in the figure. If not, the holder must be cleaned or the X-LOCK wheel must not be used.



► 1. Surface of the holder 2. Surface of the X-LOCK wheel

To remove the X-LOCK wheel, push the release lever from A side to lift B side, then pull the release lever from B side as illustrated. The X-LOCK wheel is released and can be removed.



► 1. Release lever

OPERATION

⚠ WARNING: It should never be necessary to force the tool. The weight of the tool applies adequate pressure. Forcing and excessive pressure could cause dangerous wheel breakage.

⚠ WARNING: ALWAYS replace wheel if tool is dropped while grinding.

⚠ WARNING: NEVER hit the workpiece with the wheel.

⚠ WARNING: Avoid bouncing and snagging the wheel, especially when working corners, sharp edges etc. This can cause loss of control and kickback.

⚠ WARNING: NEVER use tool with wood cutting blades and other saw blades. Such blades when used on a grinder frequently kick and cause loss of control leading to personal injury.

⚠ WARNING: Never actuate the release lever of the X-LOCK holder during operation. The X-LOCK wheel comes off from the tool and may cause serious injury.

⚠ WARNING: Make sure that the X-LOCK wheel is fixed firmly.

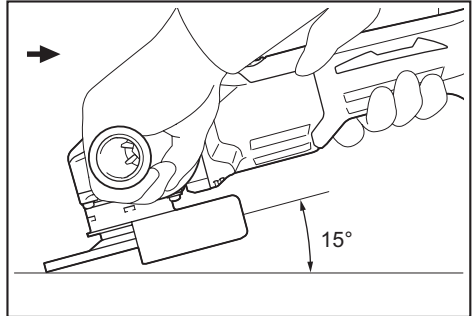
⚠ CAUTION: Never switch on the tool when it is in contact with the workpiece, it may cause an injury to operator.

⚠ CAUTION: Always wear safety goggles or a face shield during operation.

⚠ CAUTION: After operation, always switch off the tool and wait until the wheel has come to a complete stop before putting the tool down.

⚠ CAUTION: ALWAYS hold the tool firmly with one hand on housing and the other on the side grip (handle).

Grinding and sanding operation



Turn the tool on and then apply the wheel or disc to the workpiece. In general, keep the edge of the wheel or disc at an angle of about 15° to the workpiece surface. During the break-in period with a new wheel, do not work the grinder in forward direction or it may cut into the workpiece. Once the edge of the wheel has been rounded off by use, the wheel may be worked in both forward and backward direction.

Operation with abrasive cut-off / diamond wheel

Optional accessory

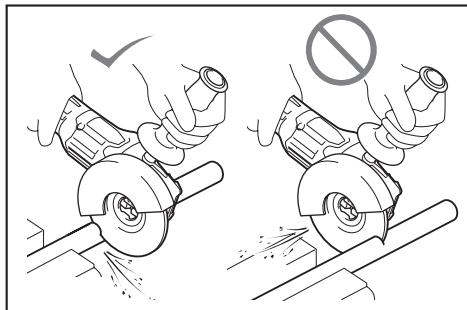
⚠ WARNING: Do not "jam" the wheel or apply excessive pressure. Do not attempt to make an excessive depth of cut. Overstressing the wheel increases the loading and susceptibility to twisting or binding of the wheel in the cut and the possibility of kickback, wheel breakage and overheating of the motor may occur.

⚠ WARNING: Do not start the cutting operation in the workpiece. Let the wheel reach full speed and carefully enter into the cut moving the tool forward over the workpiece surface. The wheel may bind, walk up or kickback if the power tool is started in the workpiece.

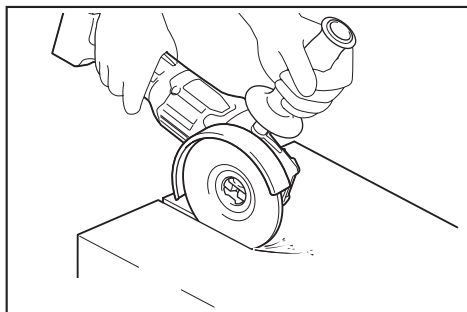
⚠ WARNING: During cutting operations, never change the angle of the wheel. Placing side pressure on the cut-off wheel (as in grinding) will cause the wheel to crack and break, causing serious personal injury.

⚠ WARNING: A diamond wheel shall be operated perpendicular to the material being cut.

Usage example: operation with abrasive cut-off wheel



Usage example: operation with diamond wheel



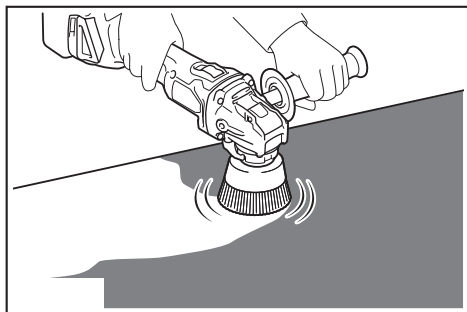
Operation with wire cup brush

Optional accessory

CAUTION: Check operation of brush by running tool with no load, insuring that no one is in front of or in line with brush.

NOTICE: Avoid applying too much pressure which causes over bending of wires when using the wire cup brush. It may lead to premature breakage.

Usage example: operation with wire cup brush



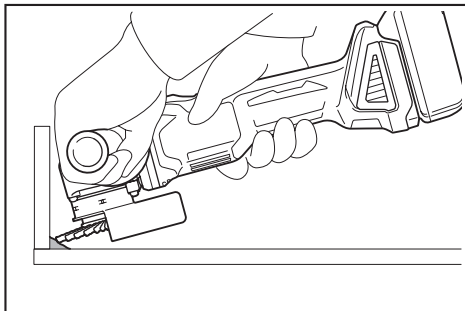
Operation with wire wheel brush

Optional accessory

CAUTION: Check operation of wire wheel brush by running tool with no load, insuring that no one is in front of or in line with the wire wheel brush.

NOTICE: Avoid applying too much pressure which causes over bending of wires when using wire wheel brush. It may lead to premature breakage.

Usage example: operation with wire wheel brush



MAINTENANCE

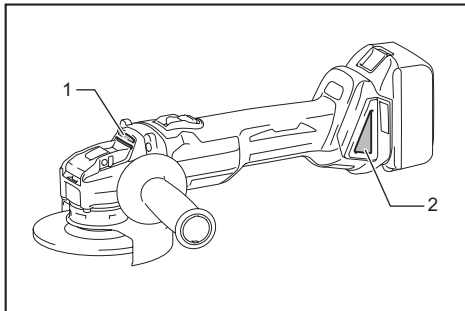
CAUTION: Always be sure that the tool is switched off and the battery cartridge is removed before attempting to perform inspection or maintenance.

NOTICE: Never use gasoline, benzine, thinner, alcohol or the like. Discoloration, deformation or cracks may result.

To maintain product SAFETY and RELIABILITY, repairs, any other maintenance or adjustment should be performed by Makita Authorized Service Centers, always using Makita replacement parts.

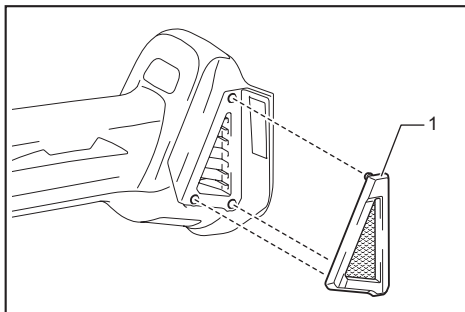
Air vent cleaning

The tool and its air vents have to be kept clean. Regularly clean the tool's air vents or whenever the vents start to become obstructed.



► 1. Exhaust vent 2. Inhalation vent

Remove the dust cover from inhalation vent and clean it for smooth air circulation.



► 1. Dust cover

NOTICE: Clean out the dust cover when it is clogged with dust or foreign matters. Continuing operation with a clogged dust cover may damage the tool.

OPTIONAL ACCESSORIES

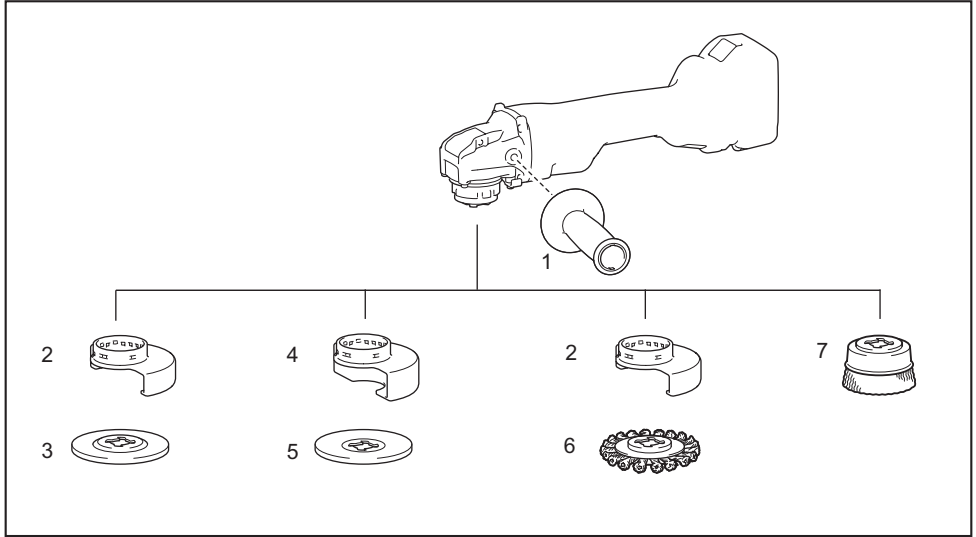
⚠ CAUTION: These accessories or attachments are recommended for use with your Makita tool specified in this manual. The use of any other accessories or attachments might present a risk of injury to persons. Only use accessory or attachment for its stated purpose.

⚠ CAUTION: Your tool is supplied with a guard for use with any recommended grinding wheel. If a diamond wheel and/or cut-off wheel are also available for use with the tool, they should only be used with the appropriate optional guard for cut-off wheels.

If you decide to use your Makita grinder with approved accessories which you purchase from your Makita distributor or factory service center, be sure to obtain and use all necessary guards as recommended in this manual. Your failure to do so could result in personal injury to you and others.

If you need any assistance for more details regarding these accessories, ask your local Makita Service Center.

- Makita genuine battery and charger



1	Grip 36
2	Wheel Guard (for grinding wheel) *1
3	Depressed center wheel / Flap disc
4	Wheel Guard (for cut-off wheel) *1
5	Abrasive cut-off wheel / Diamond wheel
6	Wire wheel brush
7	Wire cup brush

NOTE: *1 Use only the wheel guard which is sized for the grinding wheel/cut-off wheel.

NOTE: Some items in the list may be included in the tool package as standard accessories. They may differ from country to country.

MAKITA LIMITED WARRANTY

Please refer to the annexed warranty sheet for the most current warranty terms applicable to this product. If annexed warranty sheet is not available, refer to the warranty details set forth at below website for your respective country.

United States of America: www.makitatools.com

Canada: www.makita.ca

Other countries: www.makita.com

ESPECIFICACIONES

Modelo:	XAG25
Diámetro de la rueda o disco abrasivo	125 mm (5") *
Grosor máx. de la rueda o disco abrasivo	6 mm (1/4")
Velocidad especificada (n)	8 500 r/min
Longitud total	375 mm (14-3/4")
Tensión nominal	18 V c.c.
Peso neto	2,4 kg - 3,0 kg (5,3 lbs - 6,6 lbs)

- * Si usted instala un protector de la rueda opcional con la indicación de 4-1/2" en la herramienta, se podrán utilizar ruedas de 115 mm (4-1/2").
- Debido a nuestro continuo programa de investigación y desarrollo, las especificaciones aquí incluidas están sujetas a cambio sin previo aviso.
- Las especificaciones pueden variar de país a país.
- El peso puede variar en función de los accesorios, incluido el cartucho de batería. En la tabla se muestra la combinación de peso más ligero y más pesado conforme al procedimiento 01/2014 de EPTA.

Cartucho de batería y cargador aplicables

Cartucho de batería	BL1815N / BL1820B / BL1830 / BL1830B / BL1840B / BL1850B / BL1860B
Cargador	DC18RC / DC18RD / DC18RE / DC18SD / DC18SE / DC18SF / DC18SH

- Algunos de los cartuchos de batería y cargadores enumerados arriba podrían no estar disponibles dependiendo de su área de residencia.

⚠ ADVERTENCIA: Use únicamente los cartuchos de batería y los cargadores indicados arriba. El uso de cualquier otro cartucho de batería y cargador podría ocasionar una lesión y/o un incendio.

Adaptador para batería recomendado

Adaptador para batería	PDC01
------------------------	-------

- El o los adaptadores para batería enumerados arriba podrían no estar disponibles dependiendo de su área de residencia.
- Antes de utilizar el adaptador para batería, lea las instrucciones e indicaciones de precaución sobre el adaptador para batería.

ADVERTENCIAS DE SEGURIDAD

Advertencias generales de seguridad para herramientas eléctricas

⚠ ADVERTENCIA: Lea todas las advertencias de seguridad, instrucciones, ilustraciones y especificaciones suministradas con esta herramienta eléctrica. El no seguir todas las instrucciones indicadas a continuación podría ocasionar una descarga eléctrica, incendio y/o lesiones graves.

Conserve todas las advertencias e instrucciones como referencia en el futuro.

En las advertencias, el término "herramienta eléctrica" se refiere a su herramienta eléctrica de funcionamiento con conexión a la red eléctrica (con cableado eléctrico) o herramienta eléctrica de funcionamiento a batería (inalámbrica).

Seguridad en el área de trabajo

1. **Mantenga el área de trabajo limpia y bien iluminada.** Las áreas oscuras o desordenadas son propensas a accidentes.
2. **No utilice las herramientas eléctricas en atmósferas explosivas, tal como en la presencia de líquidos, gases o polvo inflamables.** Las herramientas eléctricas crean chispas que pueden prender fuego al polvo o los humos.
3. **Mantenga a los niños y curiosos alejados mientras utiliza una herramienta eléctrica.** Las distracciones le pueden hacer perder el control.

Seguridad eléctrica

1. **Las clavijas de conexión de las herramientas eléctricas deberán encajar perfectamente en la toma de corriente. No modifique nunca la clavija de conexión de ninguna forma. No utilice ninguna clavija adaptadora con herramientas eléctricas que tengan conexión a tierra (puesta a tierra).** La utilización de clavijas no modificadas y que encajen perfectamente en la toma de corriente reducirá el riesgo de que se produzca una descarga eléctrica.
2. **Evite tocar con el cuerpo superficies conectadas a tierra o puestas a tierra tales como tubos, radiadores, cocinas y refrigeradores.** Si su cuerpo es puesto a tierra o conectado a tierra existirá un mayor riesgo de que sufra una descarga eléctrica.
3. **No exponga las herramientas eléctricas a la lluvia ni a condiciones húmedas.** La entrada de agua en una herramienta eléctrica aumentará el riesgo de que se produzca una descarga eléctrica.
4. **No maltrate el cable. Nunca utilice el cable para transportar, jalar o desconectar la herramienta eléctrica.** Mantenga el cable alejado del calor, aceite, objetos cortantes o piezas móviles. Los cables dañados o enredados aumentan el riesgo de sufrir una descarga eléctrica.
5. **Cuando utilice una herramienta eléctrica en exteriores, utilice un cable de extensión apropiado para uso en exteriores.** La utilización de un cable apropiado para uso en exteriores reducirá el riesgo de que se produzca una descarga eléctrica.
6. **Si no es posible evitar usar una herramienta eléctrica en condiciones húmedas, utilice un alimentador protegido con interruptor de circuito de falla a tierra (ICFT).** El uso de un ICFT reduce el riesgo de descarga eléctrica.
7. **Las herramientas eléctricas pueden producir campos electromagnéticos (CEM) que no son dañinos para el usuario.** Sin embargo, si los usuarios tienen marcapasos y otros dispositivos médicos similares, deberán consultar al fabricante de su dispositivo y/o a su médico antes de operar esta herramienta eléctrica.

Seguridad personal

1. **Manténgase alerta, preste atención a lo que está haciendo y utilice su sentido común cuando opere una herramienta eléctrica.** No utilice una herramienta eléctrica cuando esté cansado o bajo la influencia de drogas, alcohol o medicamentos. Un momento de distracción mientras opera las herramientas eléctricas puede terminar en una lesión grave.
2. **Use equipo de protección personal. Póngase siempre protección para los ojos.** El equipo protector tal como máscara contra el polvo, zapatos de seguridad antiderrapantes, casco rígido y protección para oídos utilizado en las condiciones apropiadas reducirá el riesgo de lesiones.
3. **Impida el encendido accidental. Asegúrese de que el interruptor esté en la posición de apagado antes de conectar a la alimentación eléctrica y/o de colocar el cartucho de batería, así como al levantar o cargar la herramienta.** Cargar las herramientas eléctricas con su dedo en el interruptor o enchufarlas con el interruptor encendido hace que los accidentes sean comunes.

4. **Retire cualquier llave de ajuste o llave de apriete antes de encender la herramienta.** Una llave de ajuste o llave de apriete que haya sido dejada puesta en una parte giratoria de la herramienta eléctrica puede ocasionar alguna lesión.
5. **No utilice la herramienta donde no alcance. Mantenga los pies sobre suelo firme y el equilibrio en todo momento.** Esto permite un mejor control de la herramienta eléctrica en situaciones inesperadas.
6. **Use una vestimenta apropiada. No use ropa suelta ni alhajas.** Mantenga el cabello, la ropa y los guantes alejados de las piezas móviles. Las prendas de vestir holgadas, las alhajas y el cabello largo suelto podrían engancharse en estas piezas móviles.
7. **Si dispone de dispositivos para la conexión de equipos de extracción y recolección de polvo, asegúrese de conectarlos y utilizarlos debidamente.** Hacer uso de la recolección de polvo puede reducir los riesgos relacionados con el polvo.
8. **No permita que la familiaridad adquirida debido al uso frecuente de las herramientas haga que se sienta confiado e ignore los principios de seguridad de las herramientas.** Un descuido podría ocasionar una lesión grave en una fracción de segundo.
9. **Utilice siempre gafas protectoras para proteger sus ojos de lesiones al usar herramientas eléctricas. Las gafas deben cumplir con la Norma ANSI Z87.1 en EUA.** Es responsabilidad del empleador imponer el uso de equipos protectores de seguridad apropiados a los operadores de la herramienta y demás personas cerca del área de trabajo.

Mantenimiento y uso de la herramienta eléctrica

1. **No fuerce la herramienta eléctrica. Utilice la herramienta eléctrica correcta para su aplicación.** La herramienta eléctrica adecuada hará un mejor trabajo y de forma más segura a la velocidad para la que ha sido fabricada.
2. **No utilice la herramienta eléctrica si el interruptor no la enciende y apaga.** Cualquier herramienta eléctrica que no pueda ser controlada con el interruptor es peligrosa y debe ser reemplazada.
3. **Desconecte la clavija de la fuente de alimentación y/o retire la batería de la herramienta eléctrica, en caso de ser removible, antes de realizar ajustes, cambiar accesorios o almacenar las herramientas eléctricas.** Tales medidas de seguridad preventivas reducirán el riesgo de poner en marcha la herramienta eléctrica de forma accidental.
4. **Guardé la herramienta eléctrica que no use fuera del alcance de los niños y no permita que las personas que no están familiarizadas con ella o con las instrucciones la operen.** Las herramientas eléctricas son peligrosas en manos de personas que no saben operarlas.
5. **Dé mantenimiento a las herramientas eléctricas y los accesorios. Compruebe que no haya piezas móviles desalineadas o estancadas, piezas rotas y cualquier otra condición que pueda afectar al funcionamiento de la herramienta eléctrica.** Si la herramienta eléctrica está dañada, haga que la reparen antes de utilizarla. Muchos de los accidentes son ocasionados por no dar un mantenimiento adecuado a las herramientas eléctricas.

6. **Mantenga las herramientas de corte limpias y filosas.** Si recibe un mantenimiento adecuado y tiene los bordes afilados, es probable que la herramienta se atasque menos y sea más fácil controlarla.
7. **Utilice la herramienta eléctrica, los accesorios y las brocas de acuerdo con estas instrucciones, considerando las condiciones laborales y el trabajo a realizar.** Si utiliza la herramienta eléctrica para realizar operaciones distintas de las indicadas, podrá presentarse una situación peligrosa.
8. **Mantenga los mangos y superficies de asimiento secos, limpios y libres de aceite o grasa.** Los mangos y superficies de asimiento resbalosos no permiten una manipulación segura ni el control de la herramienta en situaciones inesperadas.
9. **Cuando vaya a utilizar esta herramienta, evite usar guantes de trabajo de tela ya que éstos podrían atorarse.** Si los guantes de trabajo de tela llegaran a atorarse en las piezas móviles, esto podría ocasionar lesiones personales.

Uso y cuidado de la herramienta a batería

1. **Recargue sólo con el cargador especificado por el fabricante.** Un cargador que es adecuado para un solo tipo de batería puede generar riesgo de incendio al ser utilizado con otra batería.
2. **Utilice las herramientas eléctricas solamente con las baterías designadas específicamente para ellas.** La utilización de cualquier otra batería puede crear un riesgo de lesiones o incendio.
3. **Cuando no se esté usando la batería, manténgala alejada de otros objetos metálicos, como sujetapapeles (clips), monedas, llaves, clavos, tornillos u otros objetos pequeños de metal los cuales pueden actuar creando una conexión entre las terminales de la batería.** Originar un cortocircuito en las terminales puede causar quemaduras o incendios.
4. **En condiciones abusivas, podrá escapar líquido de la batería; evite tocarlo. Si lo toca accidentalmente, enjuague con agua. Si hay contacto del líquido con los ojos, busque asistencia médica.** Puede que el líquido expulsado de la batería cause irritación o quemaduras.
5. **No utilice una herramienta ni una batería que estén dañadas o hayan sido modificadas.** Las baterías dañadas o modificadas podrían ocasionar una situación inesperada provocando un incendio, explosión o riesgo de lesiones.
6. **No exponga la herramienta ni la batería al fuego ni a una temperatura excesiva.** La exposición al fuego o a una temperatura superior a los 130 °C podría causar una explosión.
7. **Siga todas las instrucciones para la carga y evite cargar la herramienta o la batería fuera del rango de temperatura especificado en las instrucciones.** Una carga inadecuada o a una temperatura fuera del rango especificado podría dañar la batería e incrementar el riesgo de incendio.

Servicio

1. **Haga que una persona calificada repare la herramienta eléctrica utilizando sólo piezas de repuesto idénticas.** Esto asegura que se mantenga la seguridad de la herramienta eléctrica.
2. **Nunca dé servicio a baterías que estén dañadas.** El servicio a las baterías solamente deberá ser efectuado por el fabricante o un agente de servicio autorizado.
3. **Siga las instrucciones para la lubricación y cambio de accesorios.**
4. **No modifique ni intente reparar el aparato ni el paquete de baterías salvo como se indique en las instrucciones para el uso y cuidado.**

Advertencias de seguridad para la esmeriladora inalámbrica

Advertencias de seguridad comunes para las operaciones de esmerilado, lijado, cepillado con alambre o corte abrasivo:

1. **Esta herramienta eléctrica está diseñada para funcionar como esmeriladora, lijadora, cepillo de alambre o herramienta de corte. Lea todas las advertencias de seguridad, instrucciones, ilustraciones y especificaciones suministradas con esta herramienta eléctrica.** El no seguir todas las instrucciones indicadas a continuación podrá ocasionar una descarga eléctrica, incendio y/o lesiones graves.
2. **Las operaciones tales como el pulido no están recomendadas para realizarse con esta herramienta eléctrica.** Las operaciones para las que la herramienta eléctrica no está diseñada pueden representar un riesgo y ocasionar lesiones personales.
3. **No utilice accesorios que no hayan sido específicamente diseñados y recomendados por el fabricante de la herramienta.** Sólo porque un accesorio pueda instalarse en su herramienta eléctrica no garantiza una operación segura.
4. **La velocidad especificada para el accesorio debe ser por lo menos la misma que la velocidad máxima marcada en la herramienta eléctrica.** Los accesorios que vayan a una velocidad mayor que su velocidad especificada pueden romperse y desintegrarse.
5. **El diámetro exterior y el grosor de su accesorio deben estar dentro de la capacidad indicada de su herramienta eléctrica.** Los accesorios de tamaño incorrecto no podrán ser protegidos ni controlados adecuadamente.
6. **El ensartado de los accesorios debe encajar en la rosca del eje de la esmeriladora. Para los accesorios instalados por medio de bridas, el orificio del eje del accesorio debe encajar con el diámetro de ubicación de la brida.** Los accesorios que no encajen con el equipo de montaje de la herramienta eléctrica se desequilibrarán, vibrarán excesivamente y podrán causar pérdida de control.

7. **No utilice accesorios dañados. Antes de cada uso, inspeccione los accesorios tales como las ruedas abrasivas para verificar que no haya grietas ni astillas, la almohadilla de soporte para revisar que no haya roturas, rasgaduras o un desgaste excesivo, o el cepillo de alambre para comprobar que no haya alambres sueltos o rotos. Si la herramienta eléctrica o algún accesorio llegan a caerse, inspeccione que no haya daños o instale un accesorio que no esté dañado. Después de inspeccionar e instalar un accesorio, colóquese usted y las personas alrededor lejos del plano del accesorio giratorio y haga funcionar la herramienta eléctrica a la velocidad máxima sin carga durante un minuto.** Los accesorios dañados por lo general se romperán durante este tiempo de prueba.
8. **Utilice equipo de protección personal. Dependiendo de la aplicación, use careta y gafas protectoras o de seguridad. Según resulte apropiado, use máscara contra polvo, protectores para oídos, guantes y mandil de trabajo que puedan detener pequeños fragmentos abrasivos o de la pieza de trabajo.** La protección para los ojos deberá ser capaz de detener los residuos que salgan volando a causa de las distintas operaciones. La máscara contra polvo o respirador deberá ser capaz de filtrar las partículas generadas durante su operación. La exposición prolongada al ruido de alta intensidad podrá provocar pérdida auditiva.
9. **Mantenga a las personas alrededor a una distancia segura del área de trabajo. Cualquier persona que ingrese al área de trabajo deberá usar equipo de protección personal.** Los fragmentos de la pieza de trabajo o de un accesorio roto podrán salir proyectados más allá del área inmediata de operación y causar lesiones.
10. **Cuando realice una operación en la que la herramienta de corte pueda entrar en contacto con cableado oculto, sujete la herramienta eléctrica por las superficies de asiento aisladas.** El contacto con un cable con corriente también hará que la corriente circule por las partes metálicas expuestas de la herramienta eléctrica y podrá ocasionar una descarga eléctrica al operador.
11. **Nunca deje la herramienta eléctrica hasta que el accesorio se haya detenido completamente.** El accesorio giratorio puede agarrar la superficie y jalar la herramienta eléctrica haciendo que usted pierda el control sobre ella.
12. **No tenga encendida la herramienta eléctrica mientras la lleva cargando a un costado.** El contacto accidental con el accesorio giratorio podrá enganchar su ropa y jalar el accesorio hacia su cuerpo.
13. **Limpie regularmente los orificios de ventilación de la herramienta eléctrica.** El ventilador del motor atraerá el polvo hacia el interior de la carcasa y la acumulación excesiva de polvo metálico podrá ocasionar riesgos eléctricos.
14. **No utilice la herramienta eléctrica cerca de materiales inflamables.** Las chispas pueden prender fuego a estos materiales.
15. **No utilice accesorios que requieran refrigerantes líquidos.** El uso de agua u otros refrigerantes líquidos puede ocasionar una electrocución o descarga eléctrica.

Retocesos bruscos y advertencias relacionadas

El retroceso brusco es una reacción repentina a un atoramiento o enganchamiento de la rueda giratoria, almohadilla de soporte, cepillo o cualquier otro accesorio. El atoramiento o enganchamiento ocasiona un rápido detenimiento del accesorio giratorio que a su vez causa que la herramienta eléctrica descontrolada sea forzada en la dirección opuesta al giro del accesorio en el punto de atascamiento. Por ejemplo, si una rueda o disco abrasivo queda enganchada o atorada por la pieza de trabajo, el borde de la rueda que está entrando en el punto de atoramiento puede hundirse en la superficie del material haciendo que la rueda se salga o salte. La rueda podrá saltar ya sea hacia el operador o en dirección contraria a él, dependiendo de la dirección del movimiento de la rueda en el punto de atoramiento. Las ruedas abrasivas también pueden romperse en estas condiciones.

El retroceso brusco es el resultado de un mal uso de la herramienta eléctrica y/o de procedimientos o condiciones de operación incorrectos y puede evitarse tomando las precauciones adecuadas tal como se indica a continuación.

1. **Mantenga sujeta firmemente la herramienta eléctrica y posicione su cuerpo y brazo de manera que pueda resistir las fuerzas del retroceso brusco. De estar disponible, utilice siempre el mango auxiliar para un control máximo durante un retroceso brusco o reacción de torsión durante la puesta en marcha de la herramienta.** El operador puede controlar las reacciones de torsión o fuerzas del retroceso brusco siempre y cuando se tomen las precauciones adecuadas.
2. **Nunca coloque su mano cerca del accesorio giratorio.** El accesorio puede tener un retroceso brusco sobre su mano.
3. **No posicione su cuerpo en el área donde la herramienta eléctrica pueda desplazarse en caso de ocurrir un retroceso brusco.** El retroceso brusco proyectará la herramienta en dirección opuesta al movimiento de la rueda en el punto de enganchamiento.
4. **Tenga especial cuidado al trabajar en esquinas, bordes filosos, etc. Evite que el accesorio rebote o se enganche.** Las esquinas, bordes filosos o rebotes tienden a enganchar el accesorio giratorio y ocasionar la pérdida de control o un retroceso brusco.
5. **No coloque una cadena de sierra, un disco para labrar madera ni un disco de la sierra dentado.** Dichos discos ocasionan con frecuencia un retroceso brusco y la pérdida de control.

Advertencias de seguridad específicas para las operaciones de esmerilado y corte abrasivo:

1. **Use solamente los tipos de ruedas recomendados para su herramienta eléctrica y el protector diseñado específicamente para la rueda seleccionada.** Las ruedas para las que esta herramienta eléctrica no está diseñada no podrán ser protegidas adecuadamente y resultarán inseguras.
2. **La superficie de esmerilado de las ruedas o discos abrasivos de centro hundido debe quedar colocada debajo del plano del borde del protector.** Una rueda instalada incorrectamente que se proyecte a través del plano del borde del protector no podrá ser protegida adecuadamente.

3. **El protector debe quedar bien instalado y colocado en la herramienta eléctrica para garantizar la máxima seguridad, de tal manera que el operador esté lo menos expuesto posible a la rueda.** El protector ayuda a proteger al operador de los fragmentos rotos de la rueda, del contacto accidental con la rueda y de las chispas que podrían prender fuego a la ropa.
4. **Las ruedas o discos abrasivos deben usarse únicamente para las aplicaciones recomendadas. Por ejemplo, no haga operaciones de esmerilado con la parte lateral de la rueda cortadora.** Las ruedas cortadoras abrasivas están diseñadas para el esmerilado periférico; las fuerzas aplicadas lateralmente a estas ruedas pueden ocasionar que se rompan en pedazos.
5. **Utilice siempre bridas para ruedas que no estén dañadas y del tamaño y la forma correctos para la rueda seleccionada.** Las bridas para ruedas adecuadas soportan la rueda reduciendo así la posibilidad de rotura de la rueda. Las bridas para ruedas cortadoras pueden ser diferentes a las bridas para ruedas de esmerilado.
6. **No utilice ruedas que estén desgastadas de herramientas eléctricas más grandes.** Una rueda diseñada para una herramienta eléctrica más grande no es adecuada para la velocidad mayor de una herramienta más pequeña y puede reventarse.

Advertencias de seguridad adicionales específicas para las operaciones de corte abrasivo:

1. **Evite trabar la rueda o disco abrasivo de corte o aplicar una presión excesiva. No intente hacer un corte de profundidad excesiva.** Aplicar una presión excesiva a la rueda incrementa la carga y susceptibilidad a que la rueda se tuerza o atasque durante el corte, y que se genere un retroceso brusco o la rotura de la rueda.
2. **No coloque su cuerpo en línea con la rueda giratoria ni detrás de ésta.** En el momento de la operación, cuando la rueda se esté alejando de su cuerpo, el posible retroceso brusco podrá lanzar la rueda giratoria y la herramienta eléctrica directamente hacia usted.
3. **Cuando la rueda se atasque o se interrumpa el corte por cualquier razón, apague la herramienta eléctrica y sosténgala sin moverla hasta que la rueda se detenga por completo. Nunca intente retirar la rueda cortadora del corte mientras la rueda esté en movimiento porque podría ocasionar un retroceso brusco.** Investigue y tome medidas correctivas para eliminar la causa del atascamiento de la rueda.
4. **Evite reiniciar la operación de corte en la pieza de trabajo. Permita que la rueda o disco abrasivo alcance su velocidad completa y se reintroduzca con cuidado en el corte.** La rueda puede atascarse, salirse del camino o generar un retroceso brusco si la herramienta eléctrica es reiniciada estando en la pieza de trabajo.
5. **Proporcione apoyo a los paneles o cualquier pieza de trabajo de gran tamaño para minimizar el riesgo de que la rueda se atore y dé un retroceso brusco.** Las piezas de trabajo grandes tienden a hundirse bajo su propio peso. Deben colocarse soportes debajo de la pieza de trabajo a ambos lados de la rueda, cerca de la línea de corte y del borde de la misma.

6. **Tenga especial cuidado cuando realice un “corte de penetración” en las paredes existentes u otras áreas ciegas.** La parte saliente de la rueda puede cortar tuberías de gas o agua, así como cableado eléctrico u objetos que puedan producir un retroceso brusco.

Advertencias de seguridad específicas para las operaciones de lijado:

1. **No utilice papel de lijado para disco de tamaño excesivo. Siga las recomendaciones de los fabricantes cuando seleccione el papel de lijado.** Un papel de lijado de mayor tamaño que se extienda más allá de la almohadilla de lijado implica un riesgo de desgarramiento y podría ocasionar el enganchamiento o rotura del disco o un retroceso brusco.

Advertencias de seguridad específicas para las operaciones de cepillado con alambre:

1. **Tenga en cuenta que incluso durante la operación normal pueden salir expulsadas cerdas de alambre del cepillo. Evite aplicar demasiada presión en los alambres sobrecargando excesivamente el cepillo.** Las cerdas de alambre pueden penetrar fácilmente la ropa ligera y/o la piel.
2. **Si se recomienda utilizar un protector durante el cepillado con alambre, impida cualquier interferencia de la rueda o cepillo de alambre con el protector.** El diámetro de la rueda o cepillo de alambre puede aumentar a causa de la carga de trabajo y las fuerzas centrífugas.

Advertencias de seguridad adicionales:

1. **Cuando utilice ruedas de esmerilado de centro hundido, asegúrese de utilizar solamente ruedas reforzadas con fibra de vidrio.**
2. **NUNCA UTILICE ruedas de tipo copa de piedra con esta esmeriladora.** Esta esmeriladora no está diseñada para estos tipos de ruedas y el uso de dichos productos puede ocasionar lesiones personales graves.
3. **Tenga cuidado de no dañar el soporte del X-LOCK.** Si las piezas se dañan la rueda podría romperse.
4. **Asegúrese de que la rueda no esté haciendo contacto con la pieza de trabajo antes de activar el interruptor.**
5. **Antes de utilizar la herramienta en una pieza de trabajo definitiva, déjala funcionar durante un rato. Observe si hay vibración o bamboleo que pueda indicar una instalación incorrecta o una rueda mal equilibrada.**
6. **Utilice la superficie especificada de la rueda para realizar el esmerilado.**
7. **No deje la herramienta funcionando. Mantenga en marcha la herramienta solamente cuando la esté sosteniendo con la mano.**
8. **No toque la pieza de trabajo inmediatamente después de la operación, ya que podría estar extremadamente caliente y provocarle quemaduras en la piel.**
9. **No toque los accesorios inmediatamente después de la operación, ya que podrían estar extremadamente calientes y provocarle quemaduras en la piel.**

10. Siga las instrucciones del fabricante para la instalación y el uso correctos de las ruedas. Manipule y almacene las ruedas con cuidado.
11. No utilice bujes de reducción ni adaptadores separados para adaptar ruedas abrasivas con orificios grandes.
12. Verifique que la pieza de trabajo esté debidamente apoyada.
13. Tenga en cuenta que la rueda continuará girando después de haber apagado la herramienta.
14. Si el lugar de trabajo es extremadamente caluroso y húmedo, o si está muy contaminado con polvo conductor, utilice un interruptor de cortocircuito (30 mA) para garantizar la seguridad del operador.
15. No utilice la herramienta con ningún material que contenga asbesto.
16. Cuando use una rueda cortadora, trabaje siempre con el protector recolector de polvo de la rueda requerido por el reglamento local.
17. Los discos cortadores no se deben someter a ninguna presión lateral.
18. No utilice guantes de trabajo de tela durante la operación. Las fibras de los guantes de tela podrían introducirse en la herramienta ocasionando la rotura de ésta.
19. Antes de iniciar la operación, asegúrese de que no hay objetos enterrados tales como tuberías eléctricas, de gas o de agua en la pieza de trabajo. De lo contrario, podría ocasionar una descarga eléctrica, fuga eléctrica o fuga de gas.

GUARDE ESTAS INSTRUCCIONES.

⚠ ADVERTENCIA: NO DEJE que la comodidad o familiaridad con el producto (a base de utilizarlo repetidamente) sustituya la estricta observancia de las normas de seguridad para dicho producto. El MAL USO o el no seguir las normas de seguridad establecidas en este manual de instrucciones puede ocasionar lesiones personales graves.

Símbolos

A continuación se muestran los símbolos utilizados para la herramienta.

v	volts o voltios
—	corriente directa o continua
n	velocidad especificada
... /min r/min	revoluciones o alternaciones por minuto, frecuencia de rotación
∅	diámetro

Instrucciones importantes de seguridad para el cartucho de batería

1. Antes de utilizar el cartucho de batería, lea todas las instrucciones e indicaciones de precaución en el (1) el cargador de batería, (2) la batería, y (3) el producto con el que se utiliza la batería.
2. No desarme ni modifique el cartucho de batería. Podría ocurrir un incendio, calor excesivo o una explosión.
3. Si el tiempo de operación se ha acortado en exceso, deje de operar de inmediato. Podría correrse el riesgo de sobrecalentamiento, posibles quemaduras e incluso explosión.
4. En caso de que ingresen electrolitos en sus ojos, enjuáguelos bien con agua limpia y consulte de inmediato a un médico. Esto podría ocasionar pérdida de visión.
5. Evite cortocircuitar el cartucho de batería:
 - (1) No toque las terminales con ningún material conductor.
 - (2) Evite guardar el cartucho de batería en un cajón junto con otros objetos metálicos, tales como clavos, monedas, etc.
 - (3) No exponga el cartucho de batería al agua o la lluvia.

Un cortocircuito en la batería puede causar un flujo grande de corriente, sobrecalentamiento, posibles quemaduras e incluso una descompostura.
6. No guarde ni utilice la herramienta y el cartucho de batería en lugares donde la temperatura pueda alcanzar o exceder los 50 °C (122 °F).
7. Nunca incinere el cartucho de batería incluso en el caso de que esté dañado seriamente o ya no sirva en absoluto. El cartucho de batería puede explotar si se tira al fuego.
8. No clave, corte, aplaste, lance o deje caer el cartucho de batería, ni golpee un objeto sólido contra el cartucho de batería. Dicha acción podría resultar en un incendio, calor excesivo o en una explosión.
9. No use una batería dañada.
10. Las baterías de ión de litio están sujetas a los requisitos reglamentarios en materia de bienes peligrosos.

Para el transporte comercial, por ej., mediante terceros o agentes de transporte, se deben tomar en cuenta los requisitos especiales relativos al empaque y el etiquetado.

Para efectuar los preparativos del artículo que se va a enviar, se requiere consultar a un experto en materiales peligrosos. Si es posible, consulte además otras regulaciones nacionales más detalladas.

Pegue o cubra con cinta adhesiva los contactos abiertos y empaque la batería de manera que ésta no pueda moverse dentro del paquete.
11. Para deshacerse del cartucho de batería, sáquelo de la herramienta y deséchelo en un lugar seguro. Siga las regulaciones locales relacionadas al desecho de las baterías.

12. **Utilice las baterías únicamente con los productos especificados por Makita.** Instalar las baterías en productos que no cumplan con los requisitos podría ocasionar un incendio, un calentamiento excesivo, una explosión o una fuga de electrolito.
13. **Si no se utiliza la herramienta por un período largo, debe extraerse la batería de la herramienta.**
14. **El cartucho de batería podría absorber calor durante y después de su uso, lo que ocasionaría quemaduras o quemaduras a baja temperatura.** Tenga cuidado con la manipulación de los cartuchos de batería que estén calientes.
15. **No toque el terminal de la herramienta inmediatamente después de su uso, ya que el mismo podría estar lo suficientemente caliente como para provocarle quemaduras.**
16. **No permita que las rebabas, el polvo o la tierra queden atrapados en los terminales, orificios y ranuras del cartucho de batería.** Esto podría ocasionar un desempeño deficiente o descompostura de la herramienta o del cartucho de batería.
17. **No utilice el cartucho de batería cerca de cables eléctricos de alto voltaje, a menos que la herramienta sea compatible con el uso cercano a estos cables eléctricos de alto voltaje.** Esto podría ocasionar una avería o descompostura de la herramienta o del cartucho de batería.
18. **Mantenga la batería alejada de los niños.**

GUARDE ESTAS INSTRUCCIONES.

PRECAUCIÓN: Utilice únicamente baterías originales de Makita. El uso de baterías no originales de Makita, o de baterías alteradas, puede ocasionar que las baterías exploten causando un incendio, lesiones personales y daños. Asimismo, esto invalidará la garantía de Makita para la herramienta y el cargador Makita.

Consejos para alargar al máximo la vida útil de la batería

1. **Cargue el cartucho de batería antes de que se descargue completamente. Pare siempre la operación y cargue el cartucho de batería cuando note menos potencia en la herramienta.**
2. **No cargue nunca un cartucho de batería que esté completamente cargado.** La sobrecarga acortará la vida de servicio de la batería.
3. **Cargue el cartucho de batería a una temperatura ambiente de 10 °C - 40 °C (50 °F - 104 °F).** Si un cartucho de batería está caliente, déjelo enfriar antes de cargarlo.
4. **Cuando no utilice el cartucho de batería, sáquelo de la herramienta o del cargador.**
5. **Cargue el cartucho de batería si no va a utilizarlo durante un período prolongado (más de seis meses).**

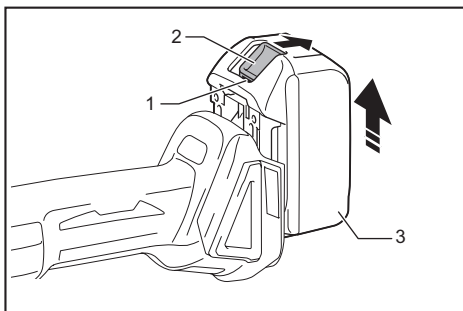
DESCRIPCIÓN DEL FUNCIONAMIENTO

PRECAUCIÓN: Asegúrese siempre de que la herramienta esté apagada y el cartucho de batería haya sido extraído antes de realizar cualquier ajuste o comprobación en la herramienta.

Instalación o extracción del cartucho de batería

PRECAUCIÓN: Apague siempre la herramienta antes de colocar o quitar el cartucho de batería.

PRECAUCIÓN: Sujete la herramienta y el cartucho de la batería con firmeza al colocar o quitar el cartucho de batería. Si no se sujeta con firmeza la herramienta y el cartucho de batería, puede ocasionar que se resbalen de sus manos causando daños a la herramienta y al cartucho de batería, así como lesiones a la persona.



► 1. Indicador rojo 2. Botón 3. Cartucho de batería

Para quitar el cartucho de batería, deslícelo de la herramienta mientras desliza el botón sobre la parte delantera del cartucho.

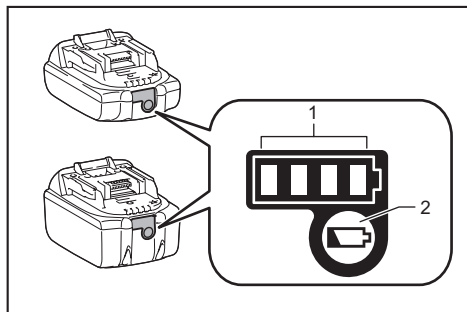
Para colocar el cartucho de batería, alinee la lengüeta sobre el cartucho de batería con la ranura en la carcasa y deslice en su lugar. Inserte por completo hasta que se fije en su lugar con un pequeño clic. Si puede ver el indicador rojo del lado superior del botón, esto indica que no ha quedado fijo por completo.

PRECAUCIÓN: Introduzca siempre completamente el cartucho de batería hasta que el indicador rojo no pueda verse. Si no, podría accidentalmente salirse de la herramienta y caer al suelo causando una lesión a usted o alguien a su alrededor.

PRECAUCIÓN: No instale el cartucho de batería a la fuerza. Si el cartucho no se desliza al interior fácilmente, se debe a que no está siendo insertado correctamente.

Indicación de la capacidad restante de la batería

Únicamente para cartuchos de batería con el indicador



► 1. Luces indicadoras 2. Botón de verificación

Oprima el botón de verificación en el cartucho de la batería para que indique la capacidad restante de la batería. Las luces indicadoras se iluminarán por algunos segundos.

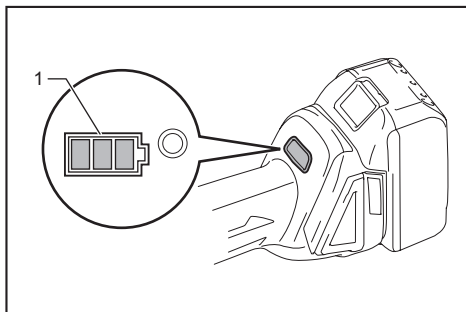
Luces indicadoras			Capacidad restante
Iluminadas	Apagadas	Parpadeando	
■	□	◐	75% a 100%
■ ■ ■ ■	■ ■ ■ ■		
■	□	◐	50% a 75%
■ ■ ■ ■	■ ■ ■ ■	□	
■	□	◐	25% a 50%
■ ■ ■ ■	■ ■ ■ ■	□ □	
■	□	◐	0% a 25%
■ ■ ■ ■	■ ■ ■ ■	□ □ □ □	
◐	□	◐	Cargar la batería.
■ ■ ■ ■	□ □	◐	La batería pudo haber funcionado mal.
□ □	■ ■	◐	

NOTA: Dependiendo de las condiciones de uso y la temperatura ambiente, la indicación podrá diferir ligeramente de la capacidad real.

NOTA: La primera luz indicadora (extrema izquierda) parpadeará cuando el sistema de protección de batería esté en funcionamiento.

Indicación de capacidad restante de la batería

Al encender la herramienta, el indicador de batería muestra la capacidad restante de la batería.



► 1. Indicador de batería

La capacidad restante de la batería se muestra tal como se indica en la tabla a continuación.

Estado del indicador de batería			Capacidad restante de la batería
Encendido	Apagado	Parpadeando	
■	□	◐	50% a 100%
■ ■ ■ ■	■ ■ ■ ■		
■	□	◐	20% a 50%
■ ■ ■ ■	■ ■ ■ ■	□	
■	□	◐	0% a 20%
■ ■ ■ ■	■ ■ ■ ■	□ □	
◐	□	◐	Cargar la batería

Sistema de protección para la herramienta/batería

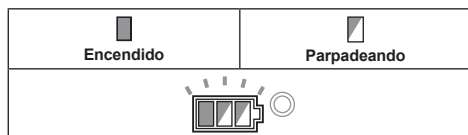
La herramienta está equipada con un sistema de protección de la herramienta/batería. Este sistema corta en forma automática el suministro de energía al motor para prolongar la vida útil de la herramienta y la batería. La herramienta se detendrá automáticamente durante la operación si la herramienta o la batería se someten a una de las siguientes condiciones:

Protección contra sobrecarga

Cuando la herramienta/batería se esté utilizando de una manera que cause que consuma una cantidad de corriente inusualmente alta, la herramienta se detendrá automáticamente sin que haya indicación alguna. En este caso, apague la herramienta y detenga la aplicación que causó que la herramienta se sobrecargara. Luego encienda la herramienta para volver a arrancarla.

Protección contra sobrecalentamiento

Cuando la herramienta se sobrecalienta, ésta se detiene automáticamente y el indicador de batería muestra el siguiente estado. En este caso, espere a que la herramienta se enfríe antes de volver a encenderla.



Si la herramienta no arranca, la batería puede haberse sobrecalentado. En este caso, espere a que la batería se enfríe antes de volver a arrancar la herramienta.

Protección en caso de sobredescarga

Cuando la capacidad de la batería no es suficiente, la herramienta se detiene automáticamente. En este caso, retire la batería de la herramienta y cárguela.

Liberación del bloqueo de protección

Cuando el sistema de protección se activa repetidamente, la herramienta se bloquea y el indicador de batería muestra el siguiente estado. En este caso, la herramienta no arranca aunque la apague y vuelva a encenderla. Para liberar el bloqueo de protección, retire la batería, colóquela en el cargador de batería y espere a que termine la carga.

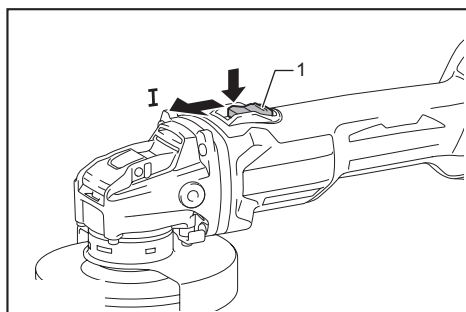


Accionamiento del interruptor

⚠️ PRECAUCIÓN: Antes de instalar el cartucho de batería en la herramienta, compruebe siempre que el interruptor deslizable se accione debidamente y que regrese a la posición de apagado al presionar la parte trasera del interruptor deslizable.

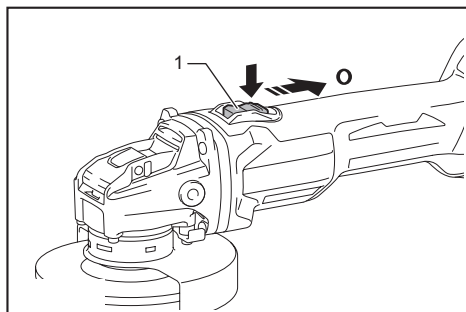
⚠️ PRECAUCIÓN: El interruptor puede ser bloqueado en la posición de encendido para mayor comodidad del operador durante un uso prolongado. Tenga cuidado al bloquear la herramienta en la posición de encendido y sujete la herramienta firmemente.

Para arrancar la herramienta, oprima hacia abajo el extremo trasero del interruptor deslizable y luego deslicelo hacia la posición "I" (encendido). Para una operación continua, oprima hacia abajo el extremo delantero del interruptor deslizable para bloquearlo.



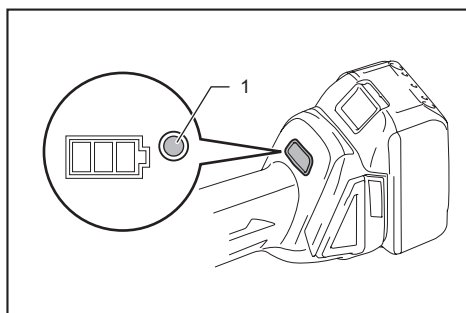
► 1. Interruptor deslizable

Para detener la herramienta, oprima hacia abajo el extremo trasero del interruptor deslizable para que regrese a la posición "O" (apagado).





► 1. Interruptor deslizable

Función de cambio de velocidad automática



► 1. Indicador de modo

Estado del indicador de modo	Modo de operación
	Modo de alta velocidad
	Modo de alta torsión

Esta herramienta cuenta con “modo de alta velocidad” y “modo de alta torsión”. Ésta cambia automáticamente el modo de operación dependiendo de la carga de trabajo. Cuando el indicador de modo se enciende durante la operación, la herramienta está en el modo de alta torsión.

Función para evitar el encendido accidental

Cuando instale el cartucho de batería mientras el interruptor deslizable esté en la posición “I” (encendido), la herramienta no arranca.

Para arrancar la herramienta, primero deslice el interruptor deslizable hacia la posición “O” (apagado) y luego deslicelo hacia la posición “I” (encendido).

Función de control de torsión electrónica

La herramienta detecta electrónicamente las situaciones en las que hay riesgo de que la rueda o el accesorio puedan saltar. En este caso, la herramienta se apaga automáticamente para evitar que el eje siga girando (esto no evita el retroceso brusco).

Para volver a arrancar la herramienta, apague primero la herramienta, elimine la causa del descenso repentino en la velocidad de rotación y luego encienda la herramienta.

Función de inicio suave

La función de inicio suave reduce la reacción al arranque.

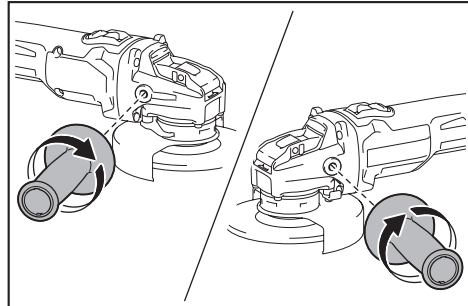
MONTAJE

⚠PRECAUCIÓN: Asegúrese siempre de que la herramienta esté apagada y el cartucho de batería haya sido extraído antes de realizar cualquier ajuste o comprobación en la herramienta.

Instalación de la empuñadura lateral (mango)

⚠PRECAUCIÓN: Antes de realizar una operación, asegúrese siempre de que la empuñadura lateral esté instalada firmemente.

Atornille firmemente la empuñadura lateral en la posición de la herramienta tal como se muestra en la figura.



Instalación o extracción del protector de la rueda

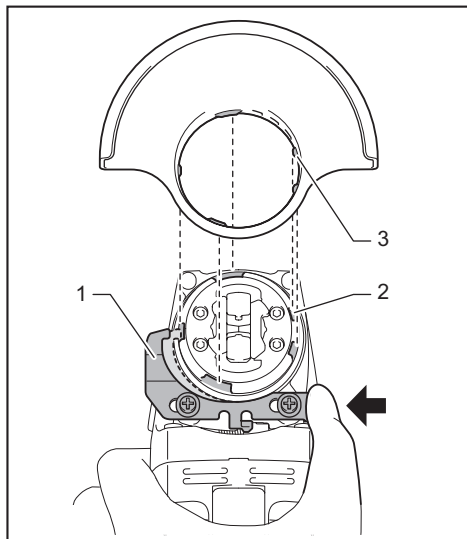
⚠ADVERTENCIA: Cuando se utilice una rueda de centro hundido, disco abatible o rueda de cepillo de alambre, el protector de la rueda deberá estar instalado en la herramienta de tal forma que el lado cerrado del protector siempre quede orientado hacia el operador.

⚠ADVERTENCIA: Asegúrese de que el protector de la rueda esté bloqueado firmemente mediante la palanca de bloqueo con uno de los orificios del protector de la rueda.

⚠ADVERTENCIA: Cuando use una rueda cortadora abrasiva o de diamante, asegúrese de utilizar únicamente el protector especial de la rueda diseñado para el uso con ruedas cortadoras.

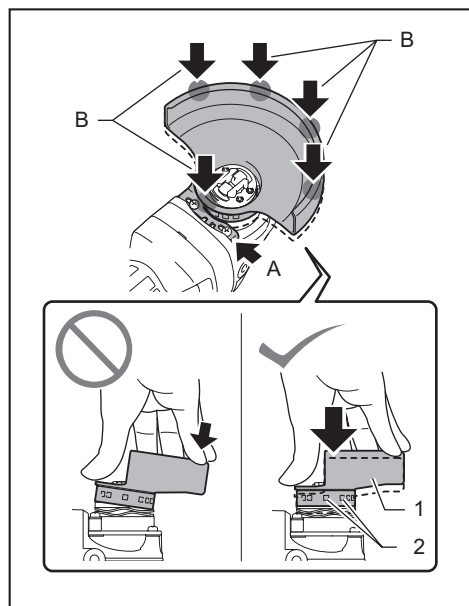
Para rueda de centro hundido, disco abatible, rueda de cepillo de alambre / rueda cortadora abrasiva, rueda de diamante

1. Mientras oprime la palanca de bloqueo, coloque el protector de la rueda con las protuberancias en el protector de la rueda alineadas con las muescas en la caja de cojinetes.



► 1. Palanca de bloqueo 2. Muesca 3. Protuberancia

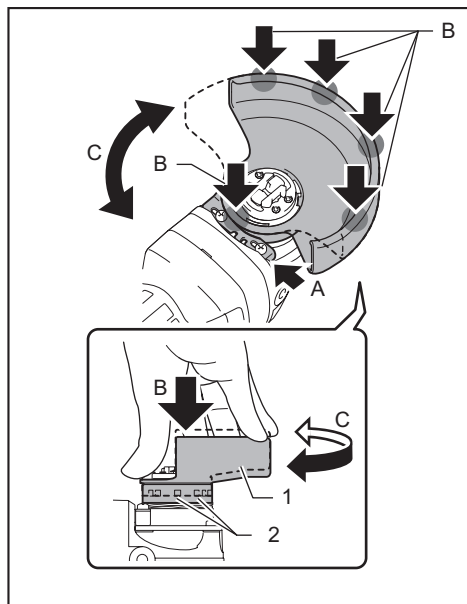
2. Mientras oprime la palanca de bloqueo hacia A, oprima el protector de la rueda manteniendo presionadas las porciones de B, como se muestra en la figura.



► 1. Protector de la rueda 2. Orificio

NOTA: Oprima el protector de la rueda de forma nivelada. De lo contrario, no podrá empujar el protector de la rueda por completo.

3. Mientras mantiene la posición de la palanca de bloqueo y del protector de la rueda como se describe en el paso 2, gire el protector de la rueda hacia C y luego cambie el ángulo del protector de la rueda de acuerdo con el trabajo a realizar.



► 1. Protector de la rueda 2. Orificio

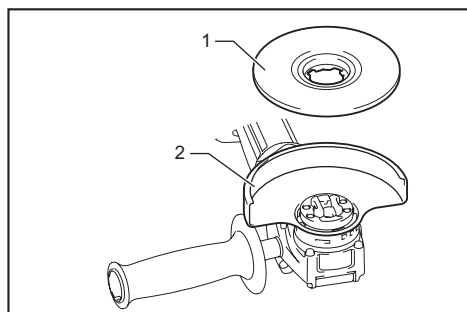
NOTA: Oprima el protector de la rueda por completo. De lo contrario, no podrá girar el protector de la rueda.

Para extraer el protector de la rueda, siga el procedimiento de instalación en orden inverso.

Quando se utilice una rueda de centro hundido o disco abatible

Accesorio opcional

⚠ADVERTENCIA: Cuando se utilice una rueda de centro hundido o un disco abatible, el protector de la rueda deberá estar instalado en la herramienta de tal forma que el lado cerrado del protector siempre quede orientado hacia el operador.



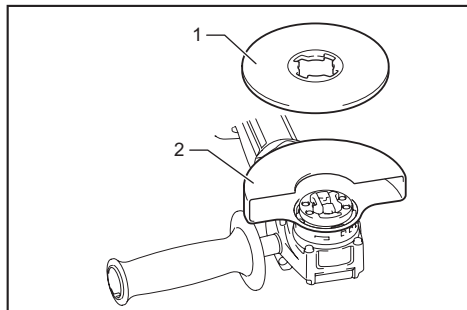
► 1. Rueda de centro hundido 2. Protector de la rueda

Cuando se utiliza una rueda cortadora abrasiva/rueda de diamante

Accesorio opcional

⚠ADVERTENCIA: Cuando use una rueda cortadora abrasiva o de diamante, asegúrese de utilizar únicamente el protector especial de la rueda diseñado para el uso con ruedas cortadoras.

⚠ADVERTENCIA: NUNCA utilice una rueda cortadora para el esmerilado lateral.

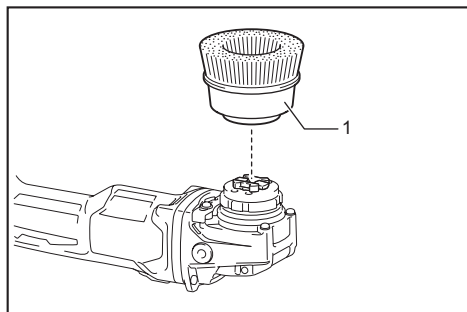


- 1. Rueda o disco de corte abrasivo / rueda de diamante 2. Protector para rueda cortadora abrasiva / rueda de diamante

Instalación de la carda de alambre

Accesorio opcional

⚠PRECAUCIÓN: No utilice una carda de alambre que esté dañada o desequilibrada. El uso de un cepillo dañado podría aumentar la posibilidad de lesiones a causa del contacto con alambres rotos del cepillo.



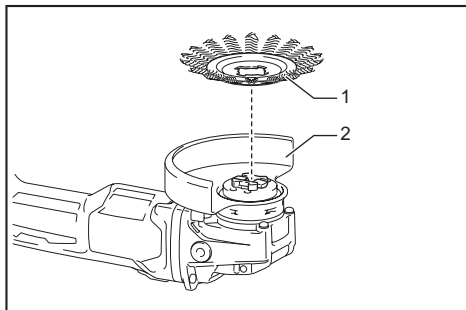
- 1. Carda de alambre

Instalación de la rueda de cepillo de alambre

Accesorio opcional

⚠PRECAUCIÓN: No utilice una rueda de cepillo de alambre que esté dañada o desequilibrada. El uso de una rueda de cepillo de alambre dañada podría aumentar la posibilidad de lesiones a causa del contacto con alambres rotos.

⚠PRECAUCIÓN: SIEMPRE utilice el protector con ruedas de cepillo de alambre, asegurándose de que el diámetro de la rueda encaje dentro del protector. La rueda puede desintegrarse durante el uso y el protector ayuda a reducir las posibilidades de una lesión personal.



- 1. Rueda de cepillo de alambre 2. Protector de la rueda

Instalación o extracción de la rueda del X-LOCK

⚠ADVERTENCIA: Nunca active la palanca de liberación del soporte del X-LOCK durante la operación. Asegúrese de que la rueda del X-LOCK se haya detenido por completo cuando la retire. De lo contrario, la rueda del X-LOCK podría salirse de la herramienta y ocasionar lesiones graves.

⚠PRECAUCIÓN: Use solamente las ruedas originales del X-LOCK con el logotipo X-LOCK. Esta herramienta está diseñada para usarse con el X-LOCK.

Solo se puede garantizar el calibre de sujeción máximo de 1,6 mm (1/16") con las ruedas originales del X-LOCK.

El uso de otras ruedas puede provocar una sujeción insegura y hacer que la herramienta de sujeción se suelte.

⚠PRECAUCIÓN: No toque la rueda del X-LOCK inmediatamente después de la operación. Podría estar extremadamente caliente y provocarle quemaduras.

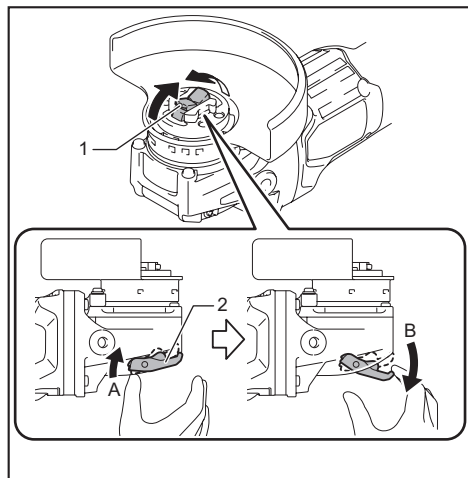
⚠PRECAUCIÓN: Asegúrese de que la rueda del X-LOCK y el soporte de la herramienta no estén deformados y estén libres de polvo o material extraño.

⚠PRECAUCIÓN: No coloque su dedo cerca del soporte mientras instala o extrae la rueda del X-LOCK. Su dedo podría quedar atrapado.

⚠PRECAUCIÓN: No coloque su dedo cerca de la palanca de liberación mientras instala la rueda del X-LOCK. Su dedo podría quedar atrapado.

NOTA: No se requieren piezas adicionales como bridas interiores o contratuercas para instalar o quitar las ruedas del X-LOCK.

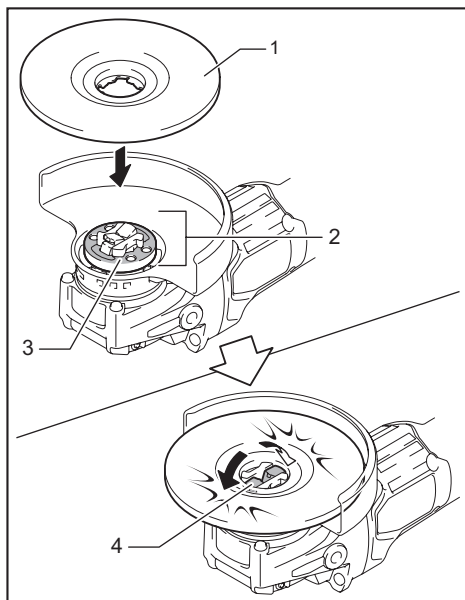
1. Para instalar la rueda del X-LOCK, asegúrese de que ambos seguros estén en la posición de desbloqueo. De lo contrario, empuje la palanca de liberación del lado A para levantar el lado B, luego tire de la palanca de liberación del lado B como se ilustra. Los seguros están en la posición de desbloqueo.



► 1. Seguro 2. Palanca de liberación

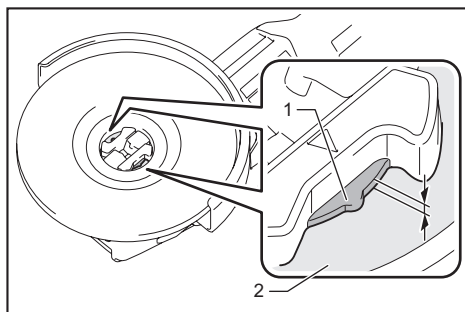
2. Coloque la rueda del X-LOCK en el soporte en una posición central. Asegúrese de que la rueda del X-LOCK esté paralela a la superficie de la brida y con el lado correcto orientado hacia arriba.

3. Empuje la rueda del X-LOCK dentro del soporte. Los seguros encajan en la posición de bloqueo con un clic y fijan la rueda del X-LOCK.



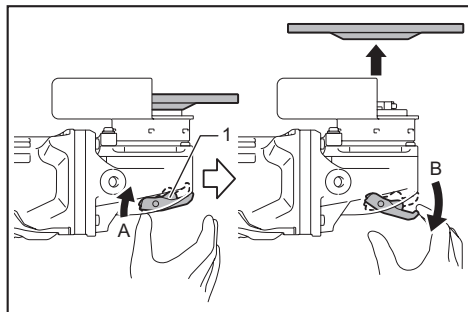
► 1. Rueda del X-LOCK 2. Soporte 3. Superficie de la brida 4. Seguro

4. Asegúrese de que la rueda del X-LOCK quede fija correctamente. La superficie de la rueda del X-LOCK no queda más alta que la superficie del soporte, como se muestra en la ilustración. De lo contrario, se debe limpiar el soporte o no se debe usar la rueda del X-LOCK.



► 1. Superficie del soporte 2. Superficie de la rueda del X-LOCK

Para extraer la rueda del X-LOCK, empuje la palanca de liberación del lado A para levantar el lado B, luego tire de la palanca de liberación del lado B como se ilustra. La rueda del X-LOCK se libera y entonces puede ser extraída.



► 1. Palanca de liberación

OPERACIÓN

⚠ ADVERTENCIA: Nunca deberá ser necesario forzar la herramienta. El peso de la herramienta aplica la presión adecuada. Una fuerza y presión excesivas podrían ocasionar una peligrosa rotura de la rueda.

⚠ ADVERTENCIA: SIEMPRE reemplace la rueda si la herramienta llega a caerse durante el esmerilado.

⚠ ADVERTENCIA: NUNCA pegue o golpee la rueda contra la pieza de trabajo.

⚠ ADVERTENCIA: Evite los rebotes y enganchemientos de la rueda, especialmente cuando trabaje en esquinas, bordes filosos, etc. Esto podría ocasionar la pérdida de control y un retroceso brusco.

⚠ ADVERTENCIA: NUNCA utilice esta herramienta con discos para cortar madera ni otros discos de la sierra. Los discos de ese tipo cuando se utilizan en una esmeriladora con frecuencia ocasionan retrocesos bruscos y pérdida de control provocando a su vez lesiones personales.

⚠ ADVERTENCIA: Nunca active la palanca de liberación del soporte del X-LOCK durante la operación. La rueda del X-LOCK podría salirse de la herramienta y ocasionar lesiones graves.

⚠ ADVERTENCIA: Asegúrese de que la rueda del X-LOCK quede fija firmemente.

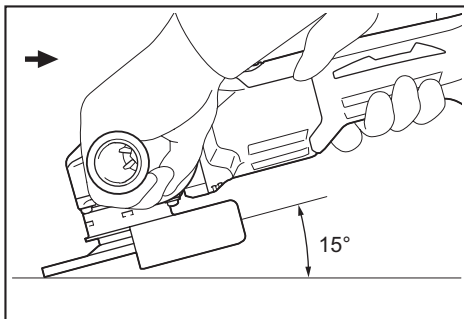
⚠ PRECAUCIÓN: Nunca encienda la herramienta cuando ésta esté en contacto con la pieza de trabajo, esto podría ocasionar lesiones al operador.

⚠ PRECAUCIÓN: Use siempre gafas de seguridad o careta durante la operación.

⚠ PRECAUCIÓN: Después de la operación, apague siempre la herramienta y espere hasta que la rueda se haya detenido por completo antes de dejar la herramienta.

⚠ PRECAUCIÓN: SIEMPRE sujete la herramienta firmemente con una mano en la carcasa y la otra en la empuñadura lateral (mango).

Operación de esmerilado y lijado



Encienda la herramienta y después aplique la rueda o disco a la pieza de trabajo.

Procure en general mantener el borde de la rueda o disco a un ángulo de aproximadamente 15° con respecto a la superficie de la pieza de trabajo.

Durante el período de uso inicial de una rueda nueva, no trabaje con la esmeriladora en dirección hacia adelante ya que podría cortar la pieza de trabajo. Una vez que el borde de la rueda se haya redondeado con el uso, se podrá trabajar con la rueda tanto en dirección hacia adelante como hacia atrás.

Operación con una rueda o disco de corte abrasivo / rueda de diamante

Accesorio opcional

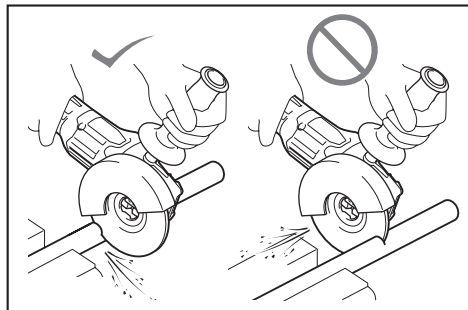
⚠ ADVERTENCIA: Evite trabar la rueda o aplicar una presión excesiva. No intente hacer un corte de profundidad excesiva. Aplicar presión excesiva a la rueda incrementa la carga y susceptibilidad a que la rueda se tuerza o atasque durante el corte, y la posibilidad de que se genere un retroceso brusco, la rotura de la rueda y el sobrecalentamiento del motor.

⚠ ADVERTENCIA: No empiece con la operación de corte en la pieza de trabajo. Permita que la rueda alcance su velocidad completa y se reintroduzca con cuidado en el corte desplazando la herramienta hacia adelante sobre la superficie de la pieza de trabajo. La rueda puede atascarse, salirse del camino o generar un retroceso brusco si la herramienta eléctrica es reiniciada estando en la pieza de trabajo.

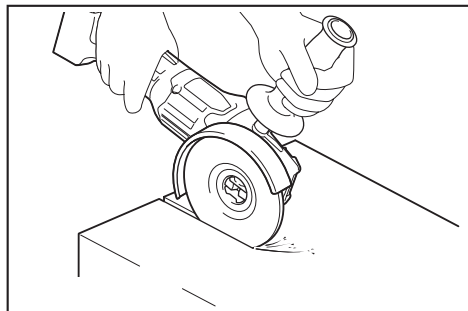
⚠ ADVERTENCIA: Durante las operaciones de corte, no cambie nunca el ángulo de la rueda. La aplicación de presión lateral en la rueda cortadora (igual que en el esmerilado) hará que la rueda se agriete y se rompa, ocasionando lesiones personales graves.

⚠ ADVERTENCIA: Una rueda de diamante deberá utilizarse perpendicularmente al material que se esté cortando.

Ejemplo de uso: Operación con la rueda cortadora abrasiva



Ejemplo de uso: Operación con la rueda de diamante



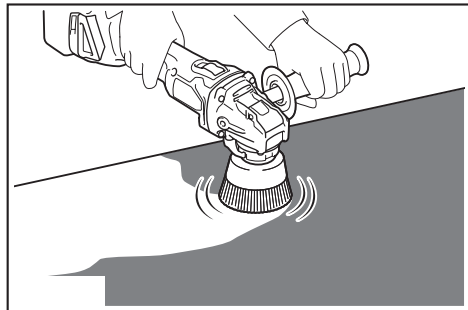
Operación con carda de alambre

Accesorio opcional

⚠PRECAUCIÓN: Verifique la operación del cepillo haciendo funcionar la herramienta sin carga y asegurándose de que no haya nadie enfrente ni en línea con el cepillo.

AVISO: Cuando utilice la carda de alambre, evite aplicar mucha presión que haga que los alambres se doblen demasiado. Esto podría provocar una rotura prematura.

Ejemplo de uso: operación con la carda de alambre



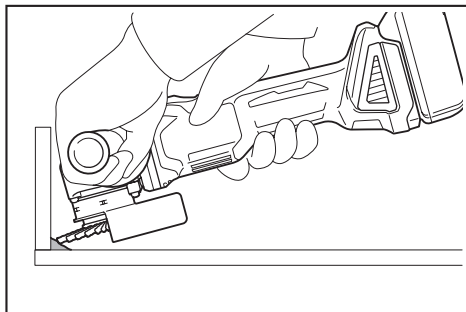
Operación con rueda de cepillo de alambre

Accesorio opcional

⚠PRECAUCIÓN: Verifique la operación de la rueda de cepillo de alambre haciendo funcionar la herramienta sin carga y asegurándose de que no haya nadie enfrente ni en línea con la rueda de cepillo de alambre.

AVISO: Cuando utilice la rueda de cepillo de alambre, evite aplicar mucha presión que haga que los alambres se doblen demasiado. Esto podría provocar una rotura prematura.

Ejemplo de uso: Operación con la rueda de cepillo de alambre



MANTENIMIENTO

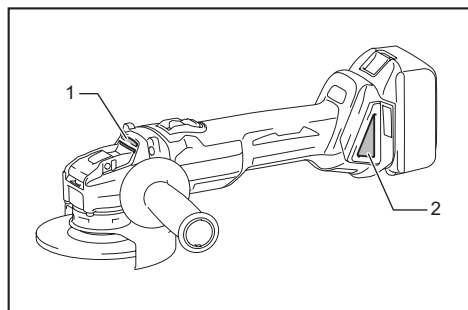
⚠PRECAUCIÓN: Asegúrese siempre de que la herramienta esté apagada y el cartucho de batería extraído antes de intentar realizar una inspección o mantenimiento.

AVISO: Nunca use gasolina, bencina, diluyente (tíner), alcohol o sustancias similares. Puede que esto ocasione grietas o descoloramiento.

Para mantener la SEGURIDAD y FIABILIDAD del producto, las reparaciones y cualquier otra tarea de mantenimiento o ajuste deberán ser realizadas en centros de servicio autorizados Makita, empleando siempre piezas de repuesto Makita.

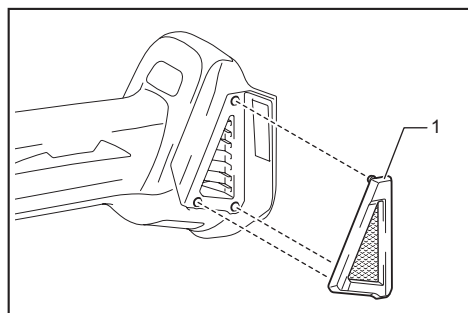
Limpieza del orificio de ventilación

La herramienta y sus orificios de ventilación deben mantenerse limpios. Limpie regularmente los orificios de ventilación de la herramienta o siempre que los orificios empiecen a obstruirse.



► 1. Ventilación de salida 2. Ventilación de entrada

Retire la cubierta contra polvo de la ventilación de entrada y límpiela para una circulación de aire libre de obstrucciones.



► 1. Cubierta contra polvo

AVISO: Limpie la cubierta contra polvo cuando esté obstruida con polvo o materias extrañas. La operación continua con una cubierta contra polvo obstruida podría dañar la herramienta.

ACCESORIOS OPCIONALES

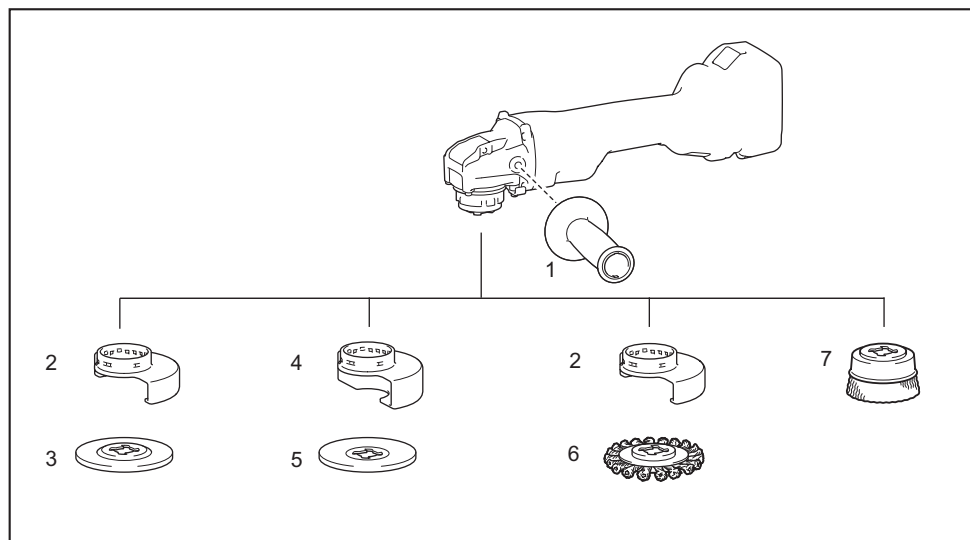
⚠PRECAUCIÓN: Estos accesorios o aditamentos están recomendados para utilizarse con su herramienta Makita especificada en este manual. El empleo de cualquier otro accesorio o aditamento puede conllevar el riesgo de lesiones personales. Utilice los accesorios o aditamentos solamente para su fin establecido.

⚠PRECAUCIÓN: Su herramienta está provista de un protector para usarse con cualquier rueda de esmerilado recomendada. Si también se dispone de una rueda de diamante y/o rueda cortadora para utilizarse con la herramienta, éstas deberán usarse solamente con el protector opcional apropiado para ruedas cortadoras.

Si decide utilizar su esmeriladora Makita con los accesorios aprobados, los cuales se adquieren con su distribuidor o centro de servicio de fábrica Makita, asegúrese de obtener y utilizar todos los protectores tal como se recomienda en este manual. El no hacerlo podría ocasionarle lesiones personales a usted y a otras personas.

Si necesita cualquier ayuda para más detalles en relación con estos accesorios, pregunte a su centro de servicio local Makita.

- Batería y cargador originales de Makita



1	Empuñadura 36
2	Protector de la rueda (para rueda de esmerilado) *1
3	Rueda de centro hundido / disco abatible
4	Protector de la rueda (para rueda cortadora) *1
5	Rueda cortadora abrasiva / Rueda de diamante
6	Rueda de cepillo de alambre
7	Carda de alambre

NOTA: *1 Use solamente el protector de la rueda, que tiene el tamaño para la rueda de esmerilado / rueda cortadora.

NOTA: Algunos de los artículos en la lista pueden incluirse en el paquete de la herramienta como accesorios estándar. Éstos pueden variar de país a país.

GARANTÍA LIMITADA DE MAKITA

Ésta Garantía no aplica para México

Consulte la hoja de la garantía anexa para ver los términos más vigentes de la garantía aplicable a este producto. En caso de no disponer de esta hoja de garantía anexa, consulte los detalles sobre la garantía descritos en el sitio web de su país respectivo indicado a continuación.

Estados Unidos de América: www.makitatools.com

Canadá: www.makita.ca

Otros países: www.makita.com

< USA only >

WARNING

Some dust created by power sanding, sawing, grinding, drilling, and other construction activities contains chemicals known to the State of California to cause cancer, birth defects or other reproductive harm. Some examples of these chemicals are:

- lead from lead-based paints,
- crystalline silica from bricks and cement and other masonry products, and
- arsenic and chromium from chemically-treated lumber.

Your risk from these exposures varies, depending on how often you do this type of work. To reduce your exposure to these chemicals: work in a well ventilated area, and work with approved safety equipment, such as those dust masks that are specially designed to filter out microscopic particles.

< Sólo en los Estados Unidos >

ADVERTENCIA

Algunos polvos creados por el lijado, aserrado, esmerilado, taladrado y otras actividades de la construcción contienen sustancias químicas reconocidas por el Estado de California como causantes de cáncer, defectos de nacimiento y otros peligros de reproducción. Algunos ejemplos de estos productos químicos son:

- plomo de pinturas a base de plomo,
- sílice cristalino de ladrillos y cemento y otros productos de albañilería, y
- arsénico y cromo de maderas tratadas químicamente.

El riesgo al que se expone varía, dependiendo de la frecuencia con la que realice este tipo de trabajo. Para reducir la exposición a estos productos químicos: trabaje en un área bien ventilada y póngase el equipo de seguridad indicado, tal como las máscaras contra polvo que están especialmente diseñadas para filtrar partículas microscópicas.

Makita Corporation

3-11-8, Sumiyoshi-cho,
Anjo, Aichi 446-8502 Japan

www.makita.com

885816-949
XAG25-1
EN, ESMX
20200610