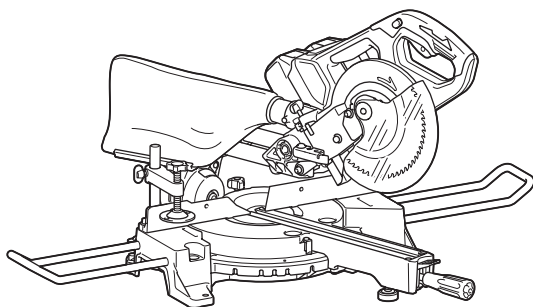


INSTRUCTION MANUAL
MANUEL D'INSTRUCTION
MANUAL DE INSTRUCCIONES



Cordless Slide Compound Miter Saw Scie Radiale Sans Fil Sierra de Inglete Inalámbrica XSL02



IMPORTANT: Read Before Using.

IMPORTANT : Lire avant usage.

IMPORTANTE: Lea antes de usar.

SPECIFICATIONS

Model:	XSL02	
Blade diameter	190 mm (7-1/2")	
Hole (arbor) diameter	15.88mm (5/8")	
Max. miter angle	Left 47°, Right 57°	
Max. bevel angle	Left 45°, Right 5°	
No load speed (RPM)	5,700 /min	
Dimensions (L x W x H)	655 mm x 430 mm x 445 mm (25-3/4" x 17" x 17-1/2")	
Rated voltage	D.C.36 V	
Standard battery cartridge	BL1815N, BL1820, BL1820B	BL1830, BL1840, BL1840B, BL1850, BL1850B
Net weight	12.6 kg (27.8 lbs)	13.1kg (28.9 lbs)

Max. Cutting capacities (H x W) with blade 190 mm (7-1/2") in diameter

Miter angle	Bevel angle		
	45° (left)	0°	5° (right)
0°	40 mm x 300 mm (1-9/16" x 11 - 3/4")	52 mm x 300 mm (2 - 1/16" x 11 - 3/4")	40 mm x 300 mm (1 - 9/16" x 11 - 3/4")
	45 mm x 265 mm (1 - 3/4" x 10 - 3/8") (NOTE 1)	60 mm x 265 mm (2-3/8" x 10-3/8") (NOTE 1)	–
45° (left and right)	40 mm x 212 mm (1-9/16" x 8 - 3/8")	52 mm x 212 mm (2 - 1/16" x 8 - 3/8")	–
	45 mm x 185 mm (1 - 3/4" x 7 - 1/4") (NOTE 2)	60 mm x 185 mm (2-3/8" x 7-1/4") (NOTE 2)	–
57° (right)	–	52 mm x 163 mm (2 - 1/16" x 6 - 3/8")	–
	–	60 mm x 145 mm (2-3/8" x 5-3/4") (NOTE 3)	–

1. Max. Cutting capacity when using a wood facing 20 mm (13/16") thickness
 2. Max. Cutting capacity when using a wood facing 15 mm (9/16") thickness
 3. Max. Cutting capacity when using a wood facing 10 mm (3/8") thickness
- Due to our continuing program of research and development, the specifications herein are subject to change without notice.
 - Specifications and battery cartridge may differ from country to country.
 - Weight, with battery cartridge, according to EPTA-Procedure 01/2003

For your own safety read instruction manual

Before operating tool

Save it for future reference

General safety precautions (For all tools)

1. **KNOW YOUR POWER TOOL.** Read the owner's manual carefully. Learn the tool's applications and limitations, as well as the specific potential hazards peculiar to it.
2. **KEEP GUARDS IN PLACE** and in working order.
3. **REMOVE ADJUSTING KEYS AND WRENCHES.**
4. **KEEP WORK AREA CLEAN.** Cluttered areas and benches invite accidents.
5. **DO NOT USE IN DANGEROUS ENVIRONMENT.** Do not use power tools in damp or wet locations, or expose them to rain. Keep work area well lighted. Do not use tool in presence of flammable liquids or gases.
6. **KEEP CHILDREN AWAY.** All visitors should be kept safe distance from work area.
7. **MAKE WORKSHOP KID PROOF** with padlocks, master switches, or by removing starter keys.
8. **DO NOT FORCE TOOL.** It will do the job better and safer at the rate for which it was designed.
9. **USE RIGHT TOOL.** Do not force tool or

attachment to do a job for which it was not designed.

10. **WEAR PROPER APPAREL.** Do not wear loose clothing, gloves, neckties, rings, bracelets, or other jewelry which may get caught in moving parts. Nonslip footwear is recommended. Wear protective hair covering to contain long hair.
11. **ALWAYS USE SAFETY GLASSES.** Also use face or dust mask if cutting operation is dusty. Everyday eyeglasses only have impact resistant lenses, they are NOT safety glasses.
12. **SECURE WORK.** Use clamps or a vise to hold work when practical. It's safer than using your hand and it frees both hands to operate tool.
13. **DO NOT OVERREACH.** Keep proper footing and balance at all times.
14. **MAINTAIN TOOLS WITH CARE.** Keep tools sharp and clean for best and safest performance. Follow instructions for lubricating and changing accessories.
15. **DISCONNECT BATTERY FROM TOOL** before servicing; when changing accessories such as blades, bits, cutters, and the like.
16. **REDUCE THE RISK OF UNINTENTIONAL STARTING.** Make sure switch is in off position before inserting battery.
17. **USE RECOMMENDED ACCESSORIES.** Consult the owner's manual for recommended accessories. The use of improper accessories may cause risk of injury to persons.
18. **NEVER STAND ON TOOL.** Serious injury could occur if the tool is tipped or if the cutting tool is unintentionally contacted.
19. **CHECK DAMAGED PARTS.** Before further use of the tool, a guard or other part that is damaged should be carefully checked to determine that it will operate properly and perform its intended function - check for alignment of moving parts, binding of moving parts, breakage of parts, mounting, and any other conditions that may affect its operation. A guard or other part that is damaged should be properly repaired or replaced.
20. **DIRECTION OF FEED.** Feed work into a blade or cutter against the direction of rotation of the blade or cutter only.
21. **NEVER LEAVE TOOL RUNNING UNATTENDED. TURN POWER OFF.** Do not leave tool until it comes to a complete stop.
22. **Ensure the switch is in the off position before inserting battery cartridge.** Inserting the battery cartridge into power tools that have the switch on invites accidents.
23. **Recharge only with the charger specified by the manufacturer.** A charger that is suitable for one type of battery cartridge may create a risk of fire when used with another battery cartridge.
24. **Use power tools only with specifically designated battery cartridges.** Use of any other battery cartridges may create a risk of injury and fire.
25. **When battery cartridge is not in use, keep it away from other metal objects like paper clips, coins, keys, nails, screws, or other small metal objects that can make a connection from one**

terminal to another. Shorting the battery terminals together may cause burns or a fire.

26. **Under abusive conditions, liquid may be ejected from the battery; avoid contact.** If contact accidentally occurs, flush with water. If liquid contacts eyes, additionally seek medical help. Liquid ejected from the battery may cause irritation or burns.
27. **Disconnect battery cartridge from tool or place the switch in the locked or off position before making any adjustments, changing accessories, or storing the tool.** Such preventive safety measures reduce the risk of starting the tool accidentally.
28. **Have your power tool serviced by a qualified repair person using only identical replacement parts.** This will ensure that the safety of the power tool is maintained.

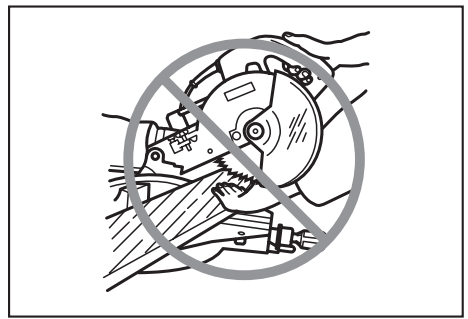
Additional safety rules

DO NOT let comfort or familiarity with product (gained from repeated use) replace strict adherence to slide compound saw safety rules. If you use this tool unsafely or incorrectly, you can suffer serious personal injury.

1. **Wear eye protection.**
2. **Keep hands out of path of saw blade. Avoid contact with any coasting blade. It can still cause severe injury.**
3. **Do not operate saw without guards in place. Check blade guard for proper closing before each use. Do not operate saw if blade guard does not move freely and close instantly. Never clamp or tie the blade guard into the open position.**
4. **Do not perform any operation freehand. The workpiece must be secured firmly against the turn base and guide fence with a vise during all operations. Never use your hand to secure the workpiece.**
5. **Never reach around saw blade.**
6. **Turn off tool and wait for saw blade to stop before moving workpiece or changing settings.**
7. **Remove battery from tool before changing blade or servicing.**
8. **To reduce the risk of injury, return carriage to the full rear position after each crosscut operation.**
9. **Always secure all moving portions before carrying the tool.**
10. **Stopper pin which locks the cutter head down is for carrying and storage purposes only and not for any cutting operations.**
11. **Be aware that this tool is always in an operating condition, because it does not have to be plugged into an electrical outlet.**
12. **Do not use the tool in the presence of flammable liquids or gases.** The electrical operation of the tool could create an explosion and fire when exposed to flammable liquids or gases.
13. **Check the blade carefully for cracks or damage before operation. Replace cracked or damaged blade immediately.** Gum and wood pitch

hardened on blades slows saw and increases potential for kickback. Keep blade clean by first removing it from tool, then cleaning it with gum and pitch remover, hot water or kerosene. Never use gasoline to clean blade.

14. **While making a slide cut, KICKBACK can occur. KICKBACK occurs when the blade binds in the workpiece during a cutting operation and the saw blade is driven rapidly towards the operator. Loss of control and serious personal injury can result. If blade begins to bind during a cutting operation, do not continue to cut and release switch immediately.**
15. **Use only flanges specified for this tool.**
16. **Be careful not to damage the arbor, flanges (especially the installing surface) or bolt. Damage to these parts could result in blade breakage.**
17. **Make sure that the turn base is properly secured so it will not move during operation. Use the holes in the base to fasten the saw to a stable work platform or bench. NEVER use tool where operator positioning would be awkward.**
18. **For your safety, remove the chips, small pieces, etc. from the table top before operation.**
19. **Avoid cutting nails. Inspect for and remove all nails from the workpiece before operation.**
20. **Make sure the shaft lock is released before the switch is turned on.**
21. **Be sure that the blade does not contact the turn base in the lowest position.**
22. **Hold the handle firmly. Be aware that the saw moves up or down slightly during start-up and stopping.**
23. **Make sure the blade is not contacting the workpiece before the switch is turned on.**
24. **Before using the tool on an actual workpiece, let it run for a while. Watch for vibration or wobbling that could indicate poor installation or a poorly balanced blade.**
25. **Wait until the blade attains full speed before cutting.**
26. **Stop operation immediately if you notice anything abnormal.**
27. **Do not attempt to lock the trigger in the "ON" position.**
28. **Be alert at all times, especially during repetitive, monotonous operations. Do not be lulled into a false sense of security. Blades are extremely unforgiving.**
29. **Always use accessories recommended in this manual. Use of improper accessories such as abrasive wheels may cause an injury.**
30. **NEVER hold workpiece on right side of blade with left hand or vice versa. This is called cross-armed cutting and exposes user to risk of SERIOUS PERSONAL INJURY as shown in the figure. ALWAYS use vise to secure workpiece.**



31. **NEVER stack workpieces on the table top to speed cutting operations. Cut only one piece at a time.**
32. **Some material contains chemicals which may be toxic. Take caution to prevent dust inhalation and skin contact. Follow material supplier safety data.**

SAVE THESE INSTRUCTIONS.

⚠WARNING: MISUSE or failure to follow the safety rules stated in this instruction manual may cause serious personal injury.

Important safety instructions for battery cartridge

1. **Before using battery cartridge, read all instructions and cautionary markings on (1) battery charger, (2) battery, and (3) product using battery.**
2. **Do not disassemble battery cartridge.**
3. **If operating time has become excessively shorter, stop operating immediately. It may result in a risk of overheating, possible burns and even an explosion.**
4. **If electrolyte gets into your eyes, rinse them out with clear water and seek medical attention right away. It may result in loss of your eyesight.**
5. **Do not short the battery cartridge:**
 - (1) **Do not touch the terminals with any conductive material.**
 - (2) **Avoid storing battery cartridge in a container with other metal objects such as nails, coins, etc.**
 - (3) **Do not expose battery cartridge to water or rain.**

A battery short can cause a large current flow, overheating, possible burns and even a breakdown.
6. **Do not store the tool and battery cartridge in locations where the temperature may reach or exceed 50 °C (122 °F).**
7. **Do not incinerate the battery cartridge even if it is severely damaged or is completely worn out. The battery cartridge can explode in a fire.**
8. **Be careful not to drop or strike battery.**
9. **Do not use a damaged battery.**
10. **Follow your local regulations relating to**

disposal of battery.

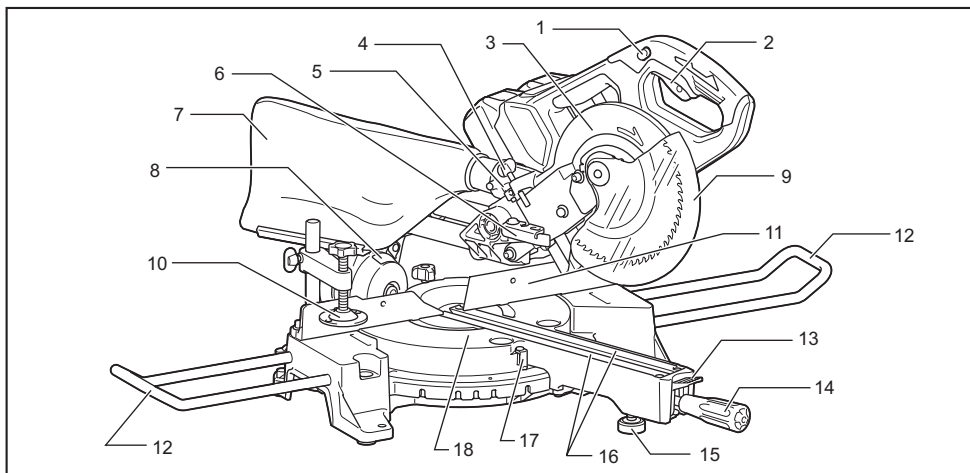
SAVE THESE INSTRUCTIONS.

CAUTION: Only use genuine Makita batteries. Use of non-genuine Makita batteries, or batteries that have been altered, may result in the battery bursting causing fires, personal injury and damage. It will also void the Makita warranty for the Makita tool and charger.

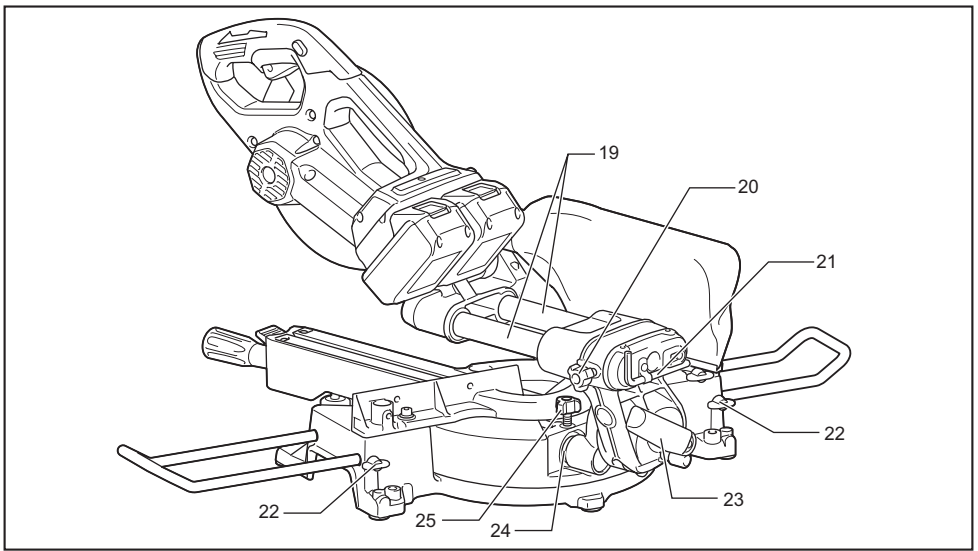
Tips for maintaining maximum battery life

1. Charge the battery cartridge before completely discharged. Always stop tool operation and charge the battery cartridge when you notice less tool power.
2. Never recharge a fully charged battery cartridge. Overcharging shortens the battery service life.
3. Charge the battery cartridge with room temperature at 10 °C - 40 °C (50 °F - 104 °F). Let a hot battery cartridge cool down before charging it.
4. Charge the battery cartridge if you do not use it for a long period (more than six months).

PARTS DESCRIPTION



1	Lock-off button	2	Switch trigger	3	Blade case	4	Adjusting screw (for lower limit position)
5	Adjusting bolt (for maximum cutting capacity)	6	Stopper arm	7	Dust bag	8	Bevel scale
9	Blade guard	10	Vertical vice	11	Guide fence	12	Holder
13	Lock lever (for turn base)	14	Grip (for turn base)	15	Adjusting bolt (for turn base)	16	Kerf board
17	Pointer (for miter angle)	18	Turn base	-	-	-	-



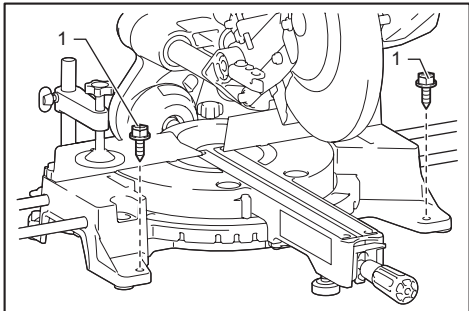
19	Slide pole (upper)	20	Thumb screw (for locking upper slide pole)	21	Hex wrench	22	Clamp screw (for locking holder)
23	Lever (for bevel angle adjustment)	24	Slide pole (lower)	25	Thumb screw (for locking lower slide pole)	-	-

INSTALLATION

Bench mounting

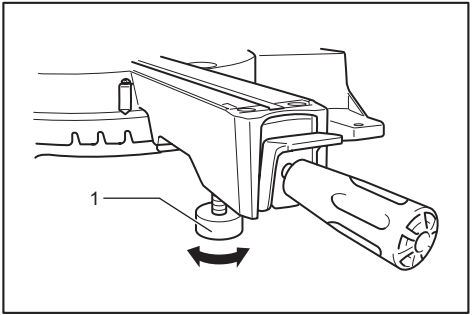
⚠ WARNING: Ensure that the tool does not move on the supporting surface. Movement of the miter saw on the supporting surface while cutting may result in loss of control and serious personal injury.

1. Fix the base to a level and stable surface, screwing with two bolts. This helps to prevent from tipping and possible injury.



1. Bolt

2. Turn the adjusting bolt clockwise or counterclockwise so that it comes into a contact with the floor surface to keep the tool stable.



1. Adjusting bolt

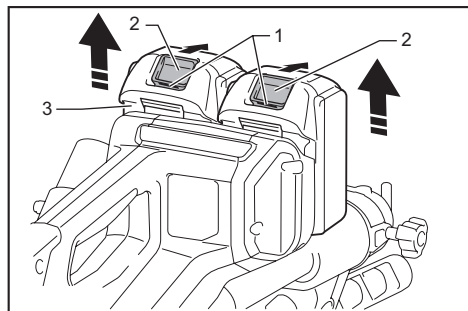
FUNCTIONAL DESCRIPTION

⚠ WARNING: Always be sure that the tool is switched off and the battery cartridge is removed before adjusting or checking the functions on the tool. Failure to switch off and remove the battery cartridge may result in serious personal injury from accidental start-up.

Installing or removing battery cartridge

CAUTION: Always switch off the tool before installing or removing of the battery cartridge.

CAUTION: Hold the tool and the battery cartridge firmly when installing or removing battery cartridge. Failure to hold the tool and the battery cartridge firmly may cause them to slip off your hands and result in damage to the tool and battery cartridge and a personal injury.



1. Red indicator 2. Button 3. Battery cartridge

To remove the battery cartridge, slide it from the tool while sliding the button on the front of the cartridge.

To install the battery cartridge, align the tongue on the battery cartridge with the groove in the housing and slip it into place. Insert it all the way until it locks in place with a little click. If you can see the red indicator on the upper side of the button, it is not locked completely.

CAUTION: Always install the battery cartridge fully until the red indicator cannot be seen. If not, it may accidentally fall out of the tool, causing injury to you or someone around you.

CAUTION: Do not install the battery cartridge forcibly. If the cartridge does not slide in easily, it is not being inserted correctly.

NOTE: The tool does not work with only one battery cartridge.

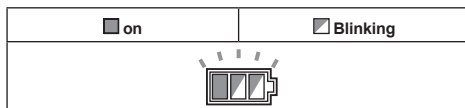
Tool / battery protection system

The tool is equipped with a tool/battery protection system. This system automatically cuts off power to the motor to extend tool and battery life. The tool will automatically stop during operation if the tool or battery is placed under one of the following conditions. In some conditions, the indicators light up.

Overload protection

When the tool is operated in a manner that causes it to draw an abnormally high current, the tool automatically stops without any indication. In this situation, turn the tool off and stop the application that caused the tool to become overloaded. Then turn the tool on to restart.

Overheat protection

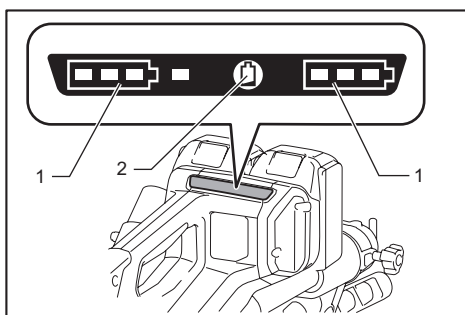


When the tool is overheated, the tool stops automatically, and the battery indicator blink about 60 seconds. In this situation, let the tool cool down before turning the tool on again.

Overdischarge protection

When the battery capacity becomes low, the tool stops automatically. If the product does not operate even when the switches are operated, remove the batteries from the tool and charge the batteries.

Indicating the remaining battery capacity



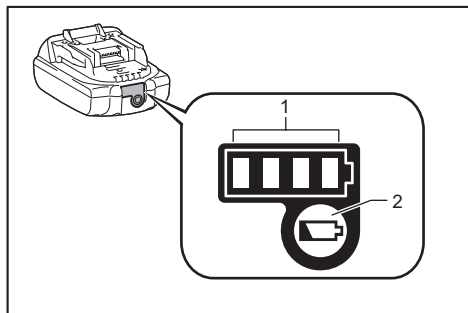
1. Battery indicator 2. Check button

Press the check button to indicate the remaining battery capacities. The battery indicators correspond to each battery.

Battery indicator status			Remaining battery capacity
On	Off	Blinking	
			50% - 100%
			20% - 50%
			0% - 20%
			Charge the battery

Indicating the remaining battery capacity

Only for battery cartridges with "B" at the end of the model number



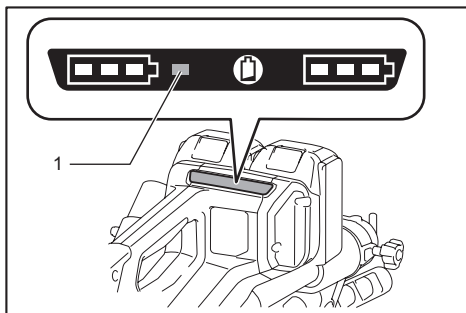
1. Indicator lamps 2. Check button

Press the check button on the battery cartridge to indicate the remaining battery capacity. The indicator lamps light up for few seconds.

Indicator lamps			Remaining capacity
Lighted	Off	Blinking	
■ ■ ■ ■			75% to 100%
■ ■ ■ □			50% to 75%
■ ■ □ □			25% to 50%
■ □ □ □			0% to 25%
▣ □ □ □			Charge the battery.
■ ■ □ □	↑ ↓	□ □ ■ ■	The battery may have malfunctioned.

NOTE: Depending on the conditions of use and the ambient temperature, the indication may differ slightly from the actual capacity.

Automatic speed change function



1. Mode indicator

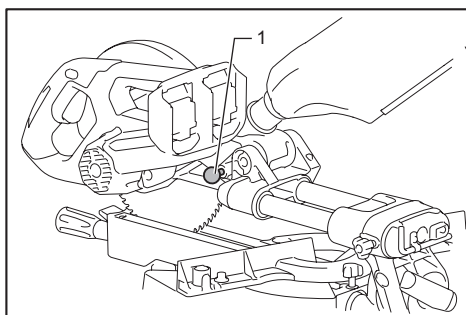
Mode indicator status	Operation mode
■ ■ ■ □ □	High speed mode
■ ■ ■ □ □	High torque mode

This tool has "high speed mode" and "high torque mode". It automatically changes operation mode depending on the work load. When mode indicator lights up during operation, the tool is in high torque mode.

Stopper pin

CAUTION: Always hold the handle when releasing the stopper pin. Otherwise the handle springs up and it may result in personal injury.

To release the stopper pin, keep applying a slight downward pressure on the handle and then pulling the stopper pin.



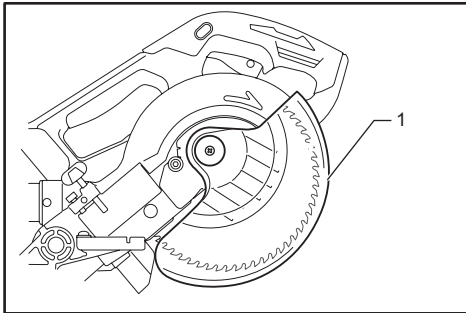
1. Stopper pin

Blade guard

⚠ WARNING: Never defeat or remove the blade guard or the spring which attaches to the guard. An exposed blade as a result of defeated guarding may result in serious personal injury during operation.

⚠ WARNING: Never use the tool if the blade guard or spring are damaged, faulty or removed. Operation of the tool with a damaged, faulty or removed guard may result in serious personal injury.

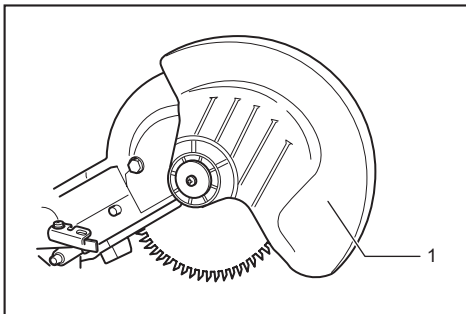
⚠ CAUTION: Always maintain the blade guard in good condition for safe operation. Stop the operation immediately if there are any irregularity of the blade guard. Check to assure spring loaded return action of guard.



1. Blade guard

When lowering the handle, the blade guard raises automatically. The guard is spring loaded so it returns to its original position when the cut is completed and the handle is raised.

Cleaning



1. Blade guard

If the transparent blade guard becomes dirty, or sawdust adheres to it in such a way that the blade and/or workpiece is no longer easily visible, remove the battery cartridge and clean the guard carefully with a damp cloth. Do not use solvents or any petroleum-based cleaners on the plastic guard because this may cause damage to the guard.

For cleaning, raise the blade guard by referring to "Installing or removing saw blade". After cleaning, make sure to return the blade and center cover and tighten the hex socket bolt.

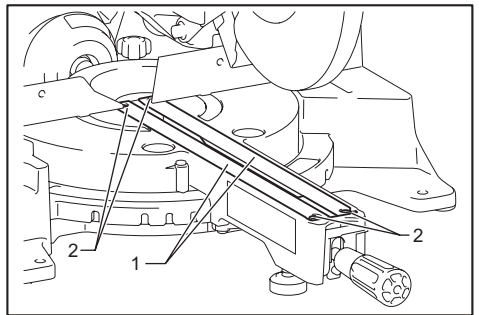
1. Make sure that the tool is switched off and the battery cartridges are removed.
2. Turn the hex socket bolt counterclockwise using the supplied hex wrench with holding the center cover.
3. Raise the blade guard and center cover.
4. When cleaning is complete, return the center cover and tighten the hex socket bolt by performing the steps above in reverse.

⚠ WARNING: Do not remove spring holding blade guard. If guard becomes damaged in course of time or UV light exposure, contact a Makita service center for replacement. **DO NOT DEFEAT OR REMOVE GUARD.**

Positioning kerf board

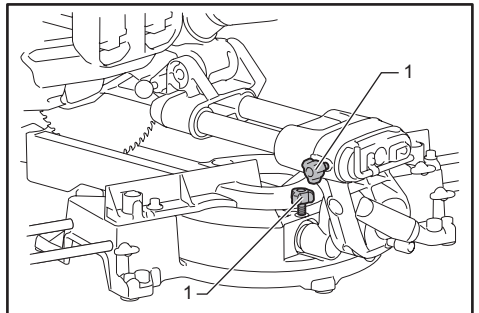
This tool is provided with the kerf boards in the turn base to minimize tearing on the exit side of a cut. The kerf boards are factory adjusted so that the saw blade does not contact the kerf boards. Before use, adjust the kerf boards as follows:

1. Make sure to remove the battery cartridge. Then, loosen all the screws (2 each on left and right) securing the kerf boards.



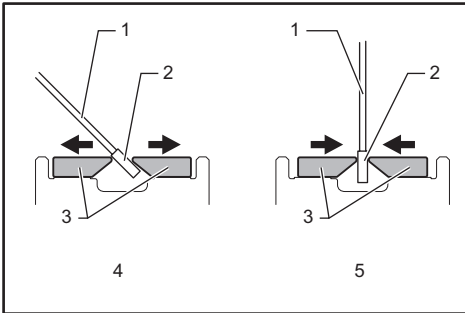
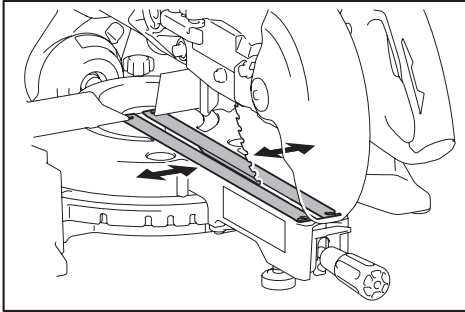
1. Kerf board 2. Screw

2. Re-tighten them only to the extent that the kerf boards can still be easily moved by hand.
3. Lower the handle fully and push in the stopper pin to lock the handle in the lowered position.
4. Loosen two clamp screws which secure the slide poles.



1. Thumb screw

5. Pull the carriage toward you fully.
6. Adjust the kerf boards so that the kerf boards just contact the sides of the blade teeth.



1. Saw blade
2. Blade teeth
3. Kerf board
4. Left bevel cut
5. Straight cut

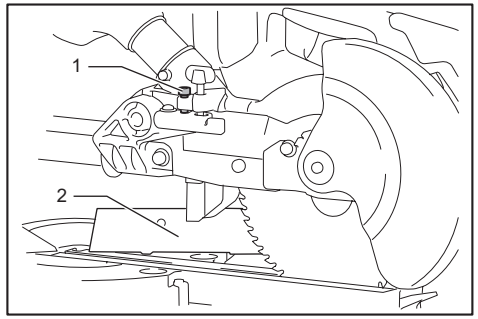
7. Tighten the front screws (do not tighten firmly).
8. Push the carriage toward the guide fence fully and adjust the kerf boards so that the kerf boards just contact the sides of blade teeth.
9. Tighten the rear screws (do not tighten firmly).
10. After adjusting the kerf boards, release the stopper pin and raise the handle. Then tighten all the screws securely.

NOTICE: After setting the bevel angle ensure that the kerf boards are adjusted properly. Correct adjustment of the kerf boards helps to provide proper support of the workpiece and minimizing workpiece tear out.

Maintaining maximum cutting capacity

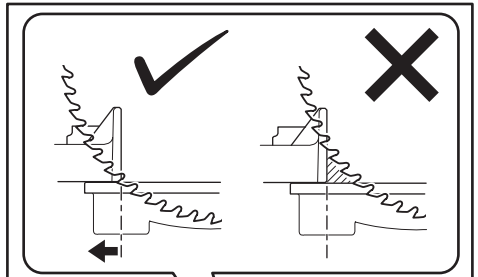
This tool is factory adjusted to provide the maximum cutting capacity for a 190 mm (7-1/2") saw blade. When installing a new blade, always check the lower limit position of the blade, and if necessary, adjust it as follows:

1. Remove the battery cartridge. Then, push the carriage toward the guide fence fully and lower the handle completely.



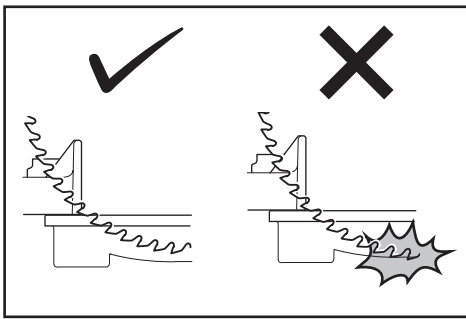
1. Adjusting bolt
2. Guide fence

2. Use the hex wrench to turn the adjusting bolt until the saw blade comes slightly below the cross section of the guide fence and the top surface of the turn base.



3. Rotate the blade by hand while holding the handle all the way down to be sure that the blade does not contact any part of the lower base. Re-adjust slightly, if necessary.

WARNING: After installing a new blade and with the battery cartridge removed, always be sure that the blade does not contact any part of the lower base when the handle is lowered completely. If a blade makes contact with the base it may cause kickback and result in serious personal injury.

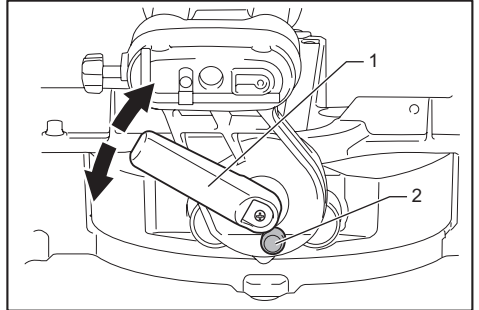


CAUTION: After changing the miter angle, always secure the turn base by tightening the grip firmly.

NOTICE: When turning the turn base, be sure to raise the handle fully.

Adjusting the bevel angle

To adjust the bevel angle, loosen the lever at the rear of the tool counterclockwise.

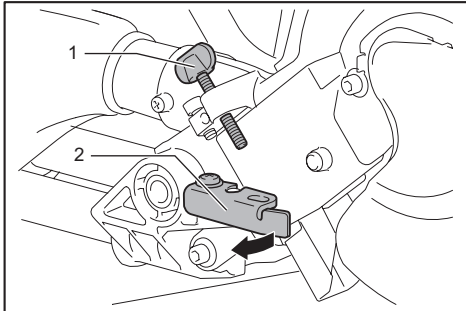


1. Lever 2. Release button

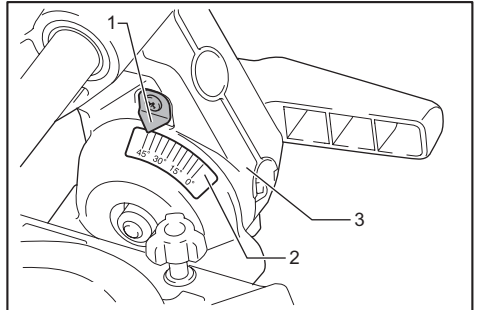
To tilt the blade to the left, hold the handle and tilt the carriage. Use the bevel scale and the pointer as a guide. Then tighten the lever clockwise firmly to secure the arm.

Stopper arm

The lower limit position of the blade can be easily adjusted with the stopper arm. To adjust it, move the stopper arm in the direction of the arrow as shown in the figure. Turn the adjusting screw and press down the handle fully to check the result.



1. Adjusting screw 2. Stopper arm



1. Pointer 2. Bevel scale 3. Arm

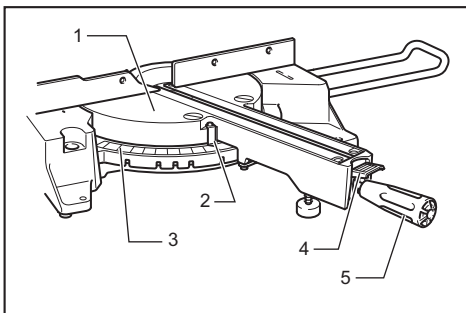
To tilt the blade to the right, hold the handle and tilt the carriage to the left slightly, and push the release button. With the release button pressed, tilt the saw blade to the right. Then tighten the lever.

CAUTION: After changing the bevel angle, always secure the arm by tightening the lever clockwise.

NOTICE: When tilting the saw blade be sure the handle is fully raised.

NOTICE: When changing bevel angles, be sure to position the kerf boards appropriately as explained in the "Positioning kerf boards" section.

Adjusting the miter angle



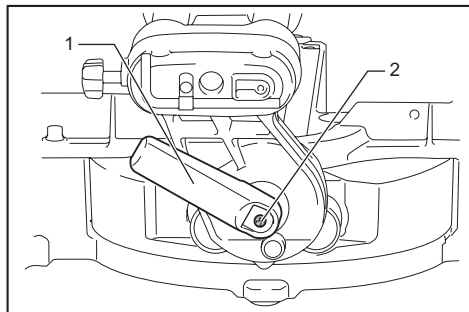
1. Turn base 2. Pointer 3. Miter scale 4. Lock lever 5. Grip

1. Loosen the grip counterclockwise.
2. Press down and hold the lock lever, and adjust the angle of the turn base. Use the pointer and the miter scale as a guide.
3. Tighten the grip clockwise firmly.

Adjusting the lever position

If the lever does not provide full tightening in course of time, change the position of the lever. The lever can be repositioned at every 30° angle.

Loosen and remove the screw that secures the lever. Remove the lever and install it again so that it points slightly above the horizontal. Then, tighten the lever with the screw firmly.



1. Lever 2. Screw

Switch action

⚠ WARNING: Before installing the battery cartridge on the tool, always check to see that the switch trigger actuates properly and returns to the "OFF" position when released. Operating a tool with a switch that does not actuate properly can lead to loss of control and serious personal injury.

⚠ WARNING: Do not use a lock with a shank or cable any smaller than 6.35 mm (1/4") in diameter. A smaller shank or cable may not properly lock the tool in the off position and unintentional operation may occur resulting in serious personal injury.

⚠ WARNING: NEVER use tool without a fully operative switch trigger. Any tool with an inoperative switch is HIGHLY DANGEROUS and must be repaired before further usage or serious personal injury may occur.

⚠ WARNING: For your safety, this tool is equipped with a lock-off button which prevents the tool from unintended starting. NEVER use the tool if it runs when you simply pull the switch trigger without pressing the lock-off button. A switch in need of repair may result in unintentional operation and serious personal injury. Return tool to a Makita service center for proper repairs BEFORE further usage.

⚠ WARNING: NEVER defeat the lock-off button by taping down or some other means. A switch with a negated lock-off button may result in unintentional operation and serious personal injury.

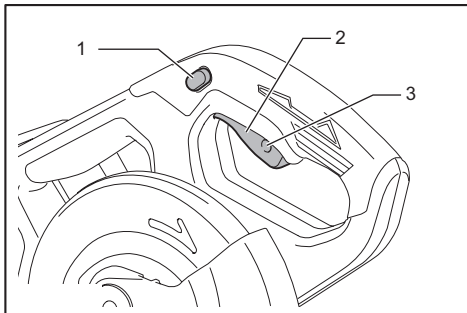
NOTICE: Do not pull the switch trigger hard without pressing in the lock-off button. This can cause switch breakage.

To prevent the switch trigger from being accidentally pulled, a lock-off button is provided. To start the tool, press in the lock-off button and pull the switch trigger.

Release the switch trigger to stop.

The lock-off button can be pressed from either right or left.

A hole is provided in the switch trigger for insertion of a padlock to lock the tool off.



1. Lock-off button 2. Switch trigger 3. Hole for padlock

Electric brake

This tool is equipped with an electric blade brake. If the tool consistently fails to quickly stop the blade after the switch trigger is released, have the tool serviced at a Makita service center.

⚠ CAUTION: The blade brake system is not a substitute for the blade guard. Never use tool without a functioning blade guard. An unguarded blade may result in serious personal injury.

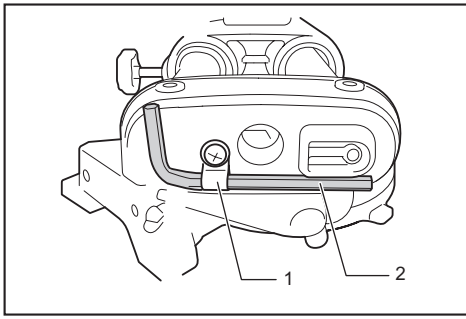
ASSEMBLY

⚠ WARNING: Always be sure that the tool is switched off and the battery cartridge is removed before working on the tool. Failure to switch off and remove the battery cartridge may result in serious personal injury.

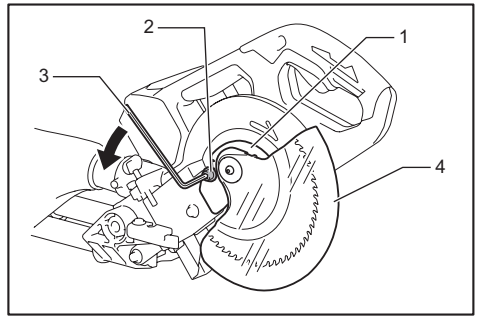
Hex wrench storage

The hex wrench is stored as shown in the figure. When the hex wrench is needed it can be pulled out of the wrench holder.

After using the hex wrench it can be stored by returning it to the wrench holder.



1. Wrench holder 2. Hex wrench



1. Center cover 2. Hex socket bolt 3. Hex wrench
4. Blade guard

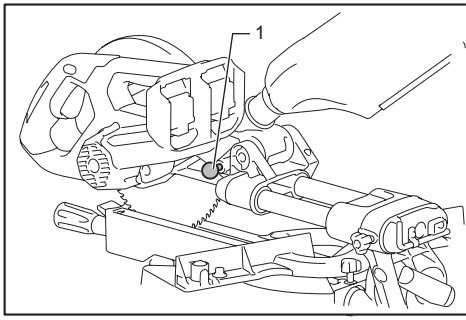
Installing or removing saw blade

⚠ WARNING: Always be sure that the tool is switched off and the battery cartridge is removed before installing or removing the blade. Accidental start up of the tool may result in serious personal injury.

⚠ CAUTION: Use only the Makita hex wrench provided to install or remove the blade. Failure to do so may result in overtightening or insufficient tightening of the hex socket bolt. This could cause an injury.

To remove the blade, perform the following steps:

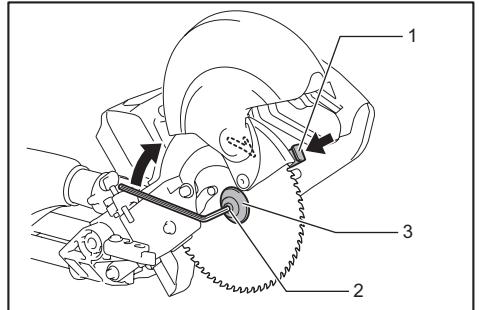
1. Lock the handle in the raised position by pushing in the stopper pin.



1. Stopper pin

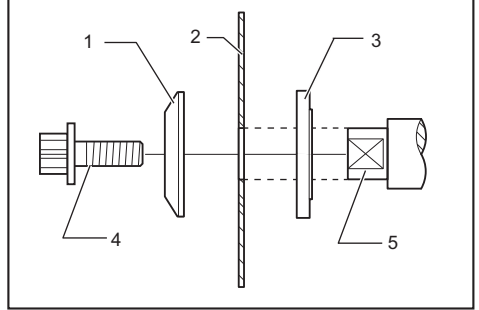
2. Use the hex wrench to loosen the hex socket bolt holding the center cover by turning it counterclockwise. Then, raise the blade guard and center cover.

3. Press the shaft lock to lock the spindle and use the hex wrench to loosen the hex socket bolt clockwise. Then remove the hex socket bolt of the spindle, outer flange and blade.



1. Shaft lock 2. Hex socket bolt 3. Outer flange

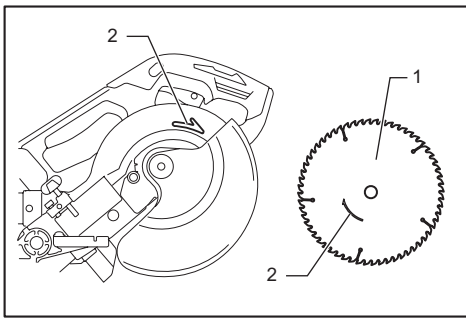
4. If the inner flange is removed, install it on the spindle with its protrusion facing away from the blade. If the flange is installed incorrectly the flange will rub against the machine.



1. Outer flange 2. Saw blade 3. Inner flange
4. Hex socket bolt (left-handed) 5. Spindle

To install the blade, perform the following steps:

1. Mount the blade carefully onto the spindle. Make sure that the direction of the arrow on the blade matches the direction of the arrow on the blade case.



1. Saw blade 2. Arrow

2. Install the outer flange and hex socket bolt, and then use the hex wrench to tighten the hex socket bolt (left-handed) of the spindle securely counterclockwise while pressing the shaft lock.
3. Return the blade guard and center cover to its original position. Then tighten the hex socket bolt of the center cover clockwise to secure the center cover.
4. Release the handle from the raised position by pulling the stopper pin. Lower the handle to make sure that the blade guard moves properly.
5. Make sure the shaft lock has released spindle before making cut.

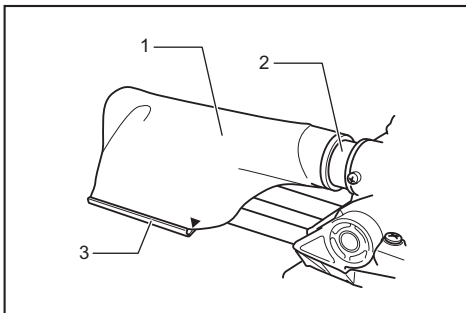
Dust bag

The use of the dust bag makes cutting operations cleaner and dust collection easier.

To attach the dust bag, fit it onto the dust nozzle.

To attach the fastener, align the top end of the fastener with the triangular mark on the dust bag.

When the dust bag is about half full, remove the dust bag from the tool and pull the fastener out. Empty the dust bag of its contents, tapping it lightly so as to remove particles adhering to the insides which might hamper further collection.



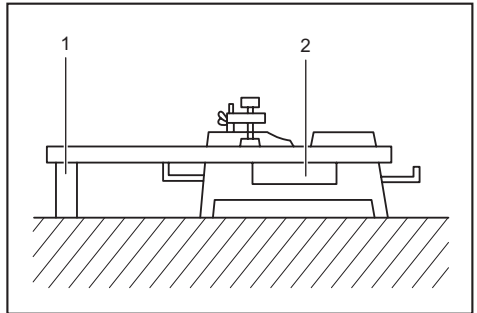
1. Dust bag 2. Dust nozzle 3. Fastener

NOTE: If you connect a vacuum cleaner to your saw, cleaner operations can be performed.

Securing workpiece

⚠WARNING: It is extremely important to always secure the workpiece correctly with the proper type of vise. Failure to do so may result in serious personal injury and cause damage to the tool and/or the workpiece.

⚠WARNING: When cutting a workpiece that is longer than the support base of the saw, support the entire length of the material beyond the support base and at the same height to keep the material level. Proper workpiece support helps to avoid blade pinch and possible kickback which may result in serious personal injury. Do not rely solely on the vertical vise and/or horizontal vise to secure the workpiece. Thin material tends to sag. Support workpiece over its entire length to avoid blade pinch and possible KICKBACK.

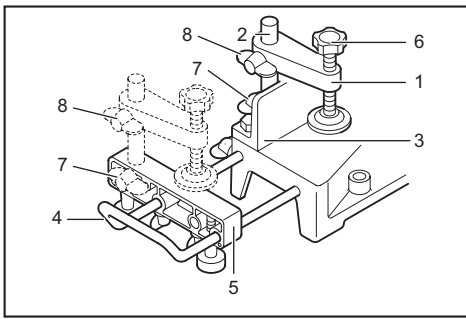


1. Support 2. Turn base

Vertical vise

⚠WARNING: Secure the workpiece firmly against the turn base and guide fence with the vise during all operations. Otherwise the material may move during the cutting operation, cause damage to the blade, and be thrown which may result in loss of control and serious personal injury.

Install the vertical vise on either the left or right side of the guide fence or the holder assembly (optional accessory). Insert the vise rod into the hole in the guide fence or the holder assembly and tighten the lower screw to secure the vise rod.



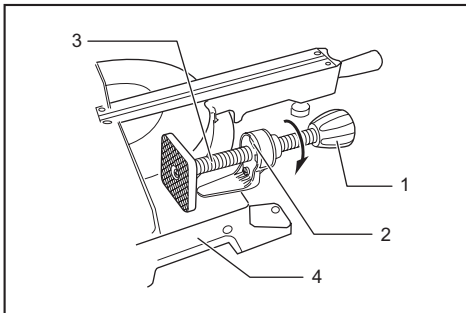
1. Vise arm
2. Vise rod
3. Guide fence
4. Holder
5. Holder assembly
6. Vise knob
7. Lower screw
8. Upper screw

Position the vise arm according to the thickness and shape of the workpiece and secure the vise arm by tightening the upper screw. If the upper screw contacts the guide fence, install the upper screw on the opposite side of vise arm. Make sure that no part of the tool contacts the vise when lowering the handle fully and pulling or pushing the carriage all the way. If some part contacts the vise, re-position the vise. Press the workpiece flat against the guide fence and the turn base. Position the workpiece at the desired cutting position and secure it firmly by tightening the vise knob.

Horizontal vise

Optional accessory

⚠WARNING: Grip the workpiece only when the indicator is at the topmost position. Failure to do so may result in insufficient securing of the workpiece. This may cause the workpiece to be thrown, cause damage to the blade or cause the loss of control, which may result in personal injury.



1. Vise knob
2. Indicator
3. Vise shaft
4. Base

The horizontal vise can be installed on the left side of the base.

By turning the vise knob counterclockwise, the screw is released and the vise shaft can be moved rapidly in and out. By turning the vise knob clockwise, the screw remains secured.

To grip the workpiece, turn the vise knob gently clockwise until the indicator reaches its topmost position, then fasten securely. If the vise knob is forced in or

pulled out while being turned clockwise, the indicator may stop at an angle. In this case, turn the vise knob back counterclockwise until the screw is released, and then turn it again gently clockwise.

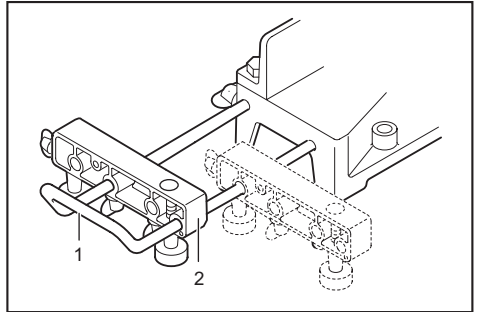
The maximum width of the workpiece which can be secured by the horizontal vise is 120 mm (4-3/4").

Holders and holder assembly

Optional accessory

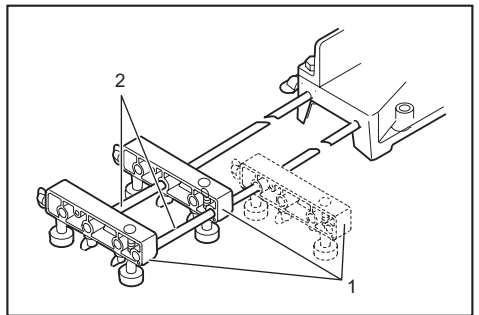
⚠WARNING: Always support a long workpiece so it is level with the top surface of the turn base for an accurate cut and to prevent dangerous loss of tool control. Proper workpiece support helps to avoid blade pinch and possible kickback which may result in serious personal injury.

The holders and the holder assembly (optional accessory) can be installed on either side as a convenient means of supporting workpieces horizontally. Install them on the side of the tool, then tighten the screws firmly to secure them.



1. Holder
2. Holder assembly

When cutting long workpieces, use the holder-rod assembly (optional accessory). It consists of two holder assemblies and two rods 12.



1. Holder assembly
2. Rod 12

OPERATION

⚠WARNING: Make sure the blade is not contacting the workpiece, etc. before the switch is turned on. Turning the tool on with the blade in contact with the workpiece may result in kickback and serious personal injury.

⚠WARNING: After a cutting operation, do not raise the blade until it has come to a complete stop. The raising of a coasting blade may result in serious personal injury and damage to the workpiece.

⚠WARNING: Do not touch the clamp screws which secure the slide poles while the saw blade is rotating. Otherwise the tool may lose control and result in personal injury.

NOTICE: Before use, be sure to release the handle from the lowered position by pulling the stopper pin.

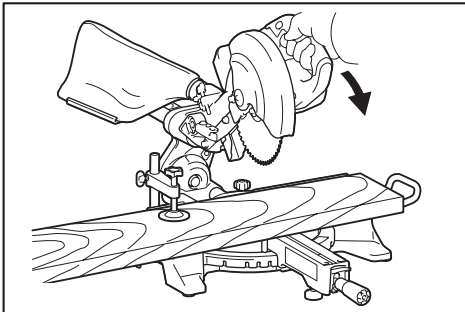
NOTICE: Do not apply excessive pressure on the handle when cutting. Too much force may result in overload of the motor and/or decreased cutting efficiency. Press down handle with only as much force as necessary for smooth cutting and without significant decrease in blade speed.

NOTICE: Gently press down the handle to perform the cut. If the handle is pressed down with force or if lateral force is applied, the blade may vibrate and leave a mark (saw mark) in the workpiece and the precision of the cut may be impaired.

NOTICE: During a slide cut, gently push the carriage toward the guide fence without stopping. If the carriage movement stops during the cut, a mark may be left in the workpiece and the precision of the cut may be impaired.

Press cutting (cutting small workpieces)

⚠WARNING: Firmly tighten two clamp screws which secure the slide poles so that the carriage will not move during operation. Insufficient tightening of the locking screw may cause possible kickback which may result in serious personal injury.



Workpieces up to 52 mm (2-1/16") high and 97 mm (3-13/16") wide can be cut in the following manner.

1. Push the carriage toward the guide fence fully and tighten two clamp screws which secure the slide poles clockwise to secure the carriage.
2. Secure the workpiece with the proper type of vise.
3. Switch on the tool without the blade making any contact and wait until the blade attains full speed before lowering.
4. Gently lower the handle to the fully lowered position to cut the workpiece.
5. When the cut is completed, switch off the tool and wait until the blade has come to a complete stop before returning the blade to its fully elevated position.

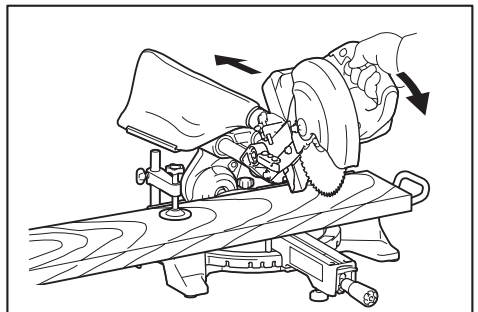
Slide (push) cutting (cutting wide workpieces)

⚠WARNING: Whenever performing a slide cut, first pull the carriage full towards you and press the handle all the way down, then push the carriage toward the guide fence. Never start the cut with the carriage not pulled fully toward you. If you perform the slide cut without the carriage pulled fully toward you unexpected kickback may occur and serious personal injury may result.

⚠WARNING: Never attempt to perform a slide cut by pulling the carriage towards you. Pulling the carriage towards you while cutting may cause unexpected kickback resulting in possible serious personal injury.

⚠WARNING: Never perform the slide cut with the handle locked in the lowered position.

⚠WARNING: Never loosen the knob which secures the carriage while the blade is rotating. A loose carriage while cutting may cause unexpected kickback resulting in possible serious personal injury.



1. Loosen two clamp screws which secure the slide poles counterclockwise so that the carriage can slide freely.
2. Secure the workpiece with the proper type of vise.
3. Pull the carriage toward you fully.
4. Switch on the tool without the blade making any contact and wait until the blade attains full speed.
5. Press the handle down and push the carriage

toward the guide fence and through the workpiece.

- When the cut is completed, switch off the tool and wait until the blade has come to a complete stop before returning the blade to its fully elevated position.

Miter cutting

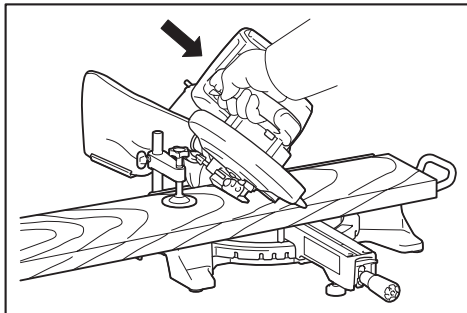
Refer to the previously covered "Adjusting the miter angle".

Bevel cut

⚠WARNING: After setting the blade for a bevel cut, before operating the tool ensure that the carriage and blade will have free travel throughout the entire range of the intended cut. Interruption of the carriage or blade travel during the cutting operation may result in kickback and serious personal injury.

⚠WARNING: While making a bevel cut keep hands out of the path of the blade. The angle of the blade may confuse the operator as to the actual blade path while cutting and contact with the blade will result in serious personal injury

⚠WARNING: The blade should not be raised until it has come to a complete stop. During a bevel cut the piece cut off may come to rest against the blade. If the blade is raised while it is rotating the cut-off piece may be ejected by the blade causing the material to fragment which may result in serious personal injury.



- Loosen the lever and tilt the saw blade to set the bevel angle (Refer to the previously covered "Adjusting the bevel angle"). Be sure to retighten the lever firmly to secure the selected bevel angle safely.
- Secure the workpiece with a vise.
- Pull the carriage toward you fully.
- Switch on the tool without the blade making any contact and wait until the blade attains full speed.
- Gently lower the handle to the fully lowered position while applying pressure in parallel with the blade and push the carriage toward the guide fence to cut the workpiece.
- When the cut is completed, switch off the tool and wait until the blade has come to a complete stop before returning the blade to its fully elevated position.

NOTICE: When pressing down the handle, apply pressure in parallel with the blade. If a force is applied perpendicularly to the turn base or if the pressure direction is changed during a cut, the precision of the cut will be impaired.

Compound cutting

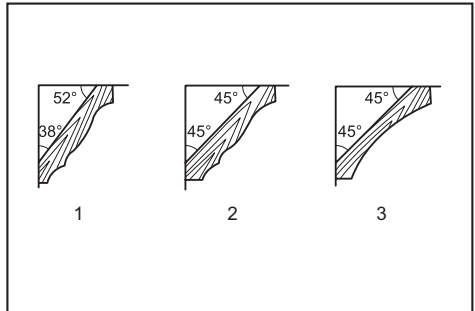
Compound cutting is the process in which a bevel angle is made at the same time in which a miter angle is being cut on a workpiece. Compound cutting can be performed at the angle shown in the table.

Miter angle	Bevel angle
Left and Right 45°	Left 0° - 45°
Right 50°	Left 0° - 40°
Right 55°	Left 0° - 30°
Right 57°	Left 0° - 25°

When performing compound cutting, refer to "Press cutting", "Slide cutting", "Miter cutting" and "Bevel cut" explanations.

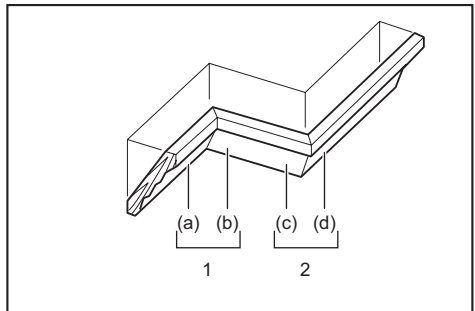
Cutting crown and cove moldings

Crown and cove moldings can be cut on a compound miter saw with the moldings laid flat on the turn base. There are two common types of crown moldings and one type of cove moldings; 52/38° wall angle crown molding, 45° wall angle crown molding and 45° wall angle cove molding.

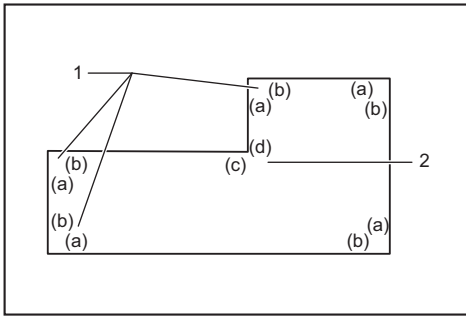


1. 52/38° type crown molding 2. 45° type crown molding 3. 45° type cove molding

There are crown and cove molding joints which are made to fit "Inside" 90° corners ((a) and (b) in the figure) and "Outside" 90° corners ((c) and (d) in the figure.)

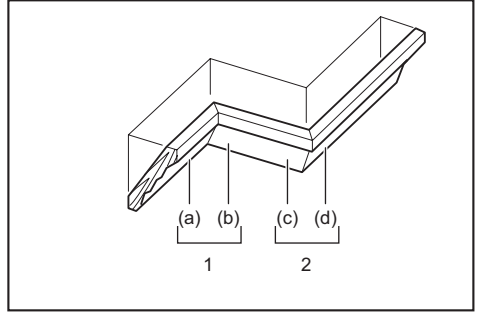


1. Inside corner 2. Outside corner



1. Inside corner 2. Outside corner

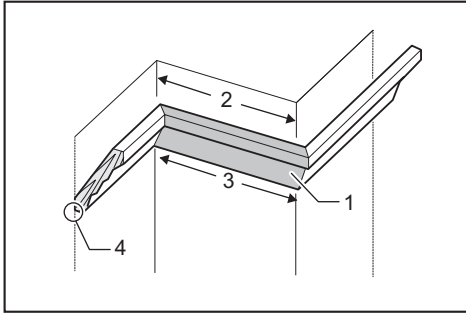
In the case of left bevel cut



1. Inside corner 2. Outside corner

Measuring

Measure the wall width, and adjust the width of the workpiece according to it. Always make sure that width of the workpiece's wall contact edge is the same as wall length.



1. Workpiece 2. Wall width 3. Width of the workpiece 4. Wall contact edge

Always use several pieces for test cuts to check the saw angles.

When cutting crown and cove moldings, set the bevel angle and miter angle as indicated in the table (A) and position the moldings on the top surface of the saw base as indicated in the table (B).

Table (A)

-	Molding position in the figure	Bevel angle		Miter angle	
		52/38° type	45° type	52/38° type	45° type
For inside corner	(a)	Left 33.9°	Left 30°	Right 31.6°	Right 35.3°
	(b)			Left 31.6°	Left 35.3°
For outside corner	(c)			Right 31.6°	Right 35.3°
	(d)				

Table (B)

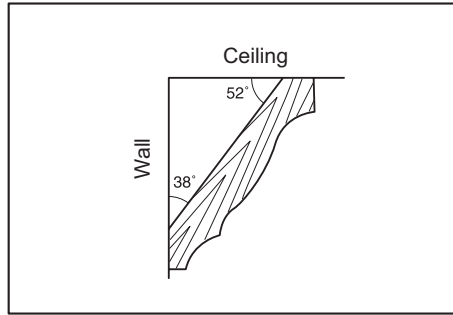
-	Molding position in the figure	Molding edge against guide fence	Finished piece
For inside corner	(a)	Ceiling contact edge should be against guide fence.	Finished piece will be on the Left side of blade.
	(b)	Wall contact edge should be against guide fence.	
For outside corner	(c)	Wall contact edge should be against guide fence.	Finished piece will be on the Right side of blade.
	(d)	Ceiling contact edge should be against guide fence.	

Example:

In the case of cutting 52/38° type crown molding for position (a) in the above figure:

- Tilt and secure bevel angle setting to 33.9° LEFT.
- Adjust and secure miter angle setting to 31.6° RIGHT.
- Lay crown molding with its broad back (hidden) surface down on the turn base with its CEILING CONTACT EDGE against the guide fence on the saw.
- The finished piece to be used will always be on the LEFT side of the blade after the cut has been made.

**Compound Miter Saw
Miter and Bevel Angle Settings**



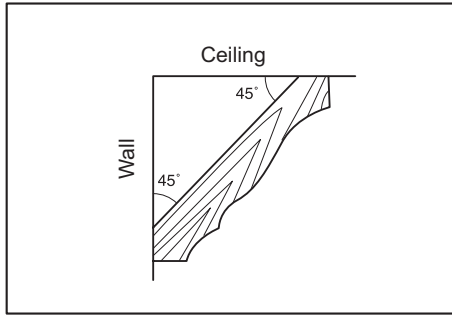
Wall to Crown Molding Angle: 52/38 degrees

Wall Angle (deg.)	Bevel Angle (deg.)	Miter Angle (deg.)
60	43.0	46.8
61	42.8	46.3
62	42.5	45.7
63	42.2	45.1
64	41.9	44.6
65	41.7	44.0
66	41.4	43.5
67	41.1	42.9
68	40.8	42.4
69	40.5	41.9
70	40.2	41.3
71	39.9	40.8
72	39.6	40.3
73	39.3	39.8
74	39.0	39.2
75	38.7	38.7
76	38.4	38.2
77	38.1	37.7
78	37.8	37.2
79	37.4	36.8
80	37.1	36.3
81	36.8	35.8
82	36.5	35.3
83	36.2	34.8
84	35.8	34.4
85	35.5	33.9
86	35.2	33.4
87	34.9	33.0
88	34.5	32.5
89	34.2	32.1
90	33.9	31.6
91	33.5	31.2
92	33.2	30.7
93	32.8	30.3
94	32.5	29.9
95	32.2	29.4
96	31.8	29.0
97	31.5	28.6
98	31.1	28.2
99	30.8	27.7
100	30.4	27.3

Wall Angle (deg.)	Bevel Angle (deg.)	Miter Angle (deg.)
101	30.1	26.9
102	29.7	26.5
103	29.4	26.1
104	29.0	25.7
105	28.7	25.3
106	28.3	24.9
107	28.0	24.5
108	27.6	24.1
109	27.2	23.7
110	26.9	23.3
111	26.5	22.9
112	26.1	22.6
113	25.8	22.2
114	25.4	21.8
115	25.0	21.4
116	24.7	21.0
117	24.3	20.7
118	23.9	20.3
119	23.6	19.9
120	23.2	19.6
121	22.8	19.2
122	22.5	18.8
123	22.1	18.5
124	21.7	18.1
125	21.3	17.8
126	21.0	17.4
127	20.6	17.1
128	20.2	16.7
129	19.8	16.4
130	19.5	16.0
131	19.1	15.7
132	18.7	15.3
133	18.3	15.0
134	17.9	14.6
135	17.6	14.3
136	17.2	14.0
137	16.8	13.6
138	16.4	13.3
139	16.0	13.0
140	15.6	12.8

Wall Angle (deg.)	Bevel Angle (deg.)	Miter Angle (deg.)
141	15.3	12.3
142	14.9	12.0
143	14.5	11.6
144	14.1	11.3
145	13.7	11.0
146	13.3	10.7
147	12.9	10.3
148	12.5	10.0
149	12.2	9.7
150	11.8	9.4
151	11.4	9.0
152	11.0	8.7
153	10.8	8.4
154	10.2	8.1
155	9.8	7.8
156	9.4	7.5
157	9.0	7.1
158	8.6	6.8
159	8.3	6.5
160	7.9	6.2
161	7.5	5.9
162	7.1	5.6
163	6.7	5.3
164	6.3	4.9
165	5.9	4.6
166	5.5	4.3
167	5.1	4.0
168	4.7	3.7
169	4.3	3.4
170	3.9	3.1
171	3.5	2.8
172	3.2	2.5
173	2.8	2.2
174	2.4	1.8
175	2.0	1.5
176	1.6	1.2
177	1.2	0.9
178	0.8	0.6
179	0.4	0.3
180	0.0	0.0

**Compound Miter Saw
Miter and Bevel Angle Settings**



Wall to Crown Molding Angle: 45 degrees

Wall Angle (deg.)	Bevel Angle (deg.)	Miter Angle (deg.)
△ 60	37.8	50.8
61	37.5	50.2
62	37.3	49.6
63	37.1	49.1
64	36.8	48.5
65	36.6	48.0
66	36.4	47.4
67	36.1	46.9
68	35.9	46.4
69	35.6	45.8
70	35.4	45.3
71	35.1	44.8
72	34.9	44.2
73	34.6	43.7
74	34.4	43.2
75	34.1	42.7
76	33.9	42.1
77	33.6	41.6
78	33.3	41.1
79	33.1	40.6
80	32.8	40.1
81	32.5	39.6
82	32.3	39.1
83	32.0	38.6
84	31.7	38.1
85	31.4	37.7
86	31.1	37.2
87	30.9	36.7
88	30.6	36.2
89	30.3	35.7
90	30.0	35.3
▽ 91	29.7	34.8
92	29.4	34.3
93	29.1	33.9
94	28.8	33.4
95	28.5	32.9
96	28.2	32.5
97	27.9	32.0
98	27.6	31.6
99	27.3	31.1
100	27.0	30.7

Wall Angle (deg.)	Bevel Angle (deg.)	Miter Angle (deg.)
101	26.7	30.2
102	26.4	29.8
103	26.1	29.4
104	25.8	28.9
105	25.5	28.5
106	25.2	28.1
107	24.9	27.6
108	24.6	27.2
109	24.2	26.8
110	23.9	26.3
111	23.6	25.9
112	23.3	25.5
113	23.0	25.1
114	22.7	24.7
115	22.3	24.3
116	22.0	23.8
117	21.7	23.4
118	21.4	23.0
119	21.0	22.6
∠ 120	20.7	22.2
121	20.4	21.8
122	20.0	21.4
123	19.7	21.0
124	19.4	20.6
125	19.1	20.2
126	18.7	19.8
127	18.4	19.4
128	18.1	19.0
129	17.7	18.6
130	17.4	18.2
131	17.1	17.9
132	16.7	17.5
133	16.4	17.1
134	16.0	16.7
135	15.7	16.3
136	15.4	15.9
137	15.0	15.6
138	14.7	15.2
139	14.3	14.8
140	14.0	14.4

Wall Angle (deg.)	Bevel Angle (deg.)	Miter Angle (deg.)
141	13.7	14.1
142	13.3	13.7
143	13.0	13.3
144	12.6	12.9
145	12.3	12.6
146	11.9	12.2
147	11.6	11.8
148	11.2	11.5
149	10.9	11.1
∩ 150	10.5	10.7
151	10.2	10.4
152	9.8	10.0
153	9.5	9.6
154	9.2	9.3
155	8.8	8.9
156	8.5	8.5
157	8.1	8.2
158	7.8	7.8
159	7.4	7.5
160	7.1	7.1
161	6.7	6.7
162	6.4	6.4
163	6.0	6.0
164	5.6	5.7
165	5.3	5.3
166	4.9	5.0
167	4.6	4.6
168	4.2	4.3
169	3.9	3.9
170	3.5	3.5
171	3.2	3.2
172	2.8	2.8
173	2.5	2.5
174	2.1	2.1
175	1.8	1.8
176	1.4	1.4
177	1.1	1.1
178	0.7	0.7
179	0.4	0.4
∪ 180	0.0	0.0

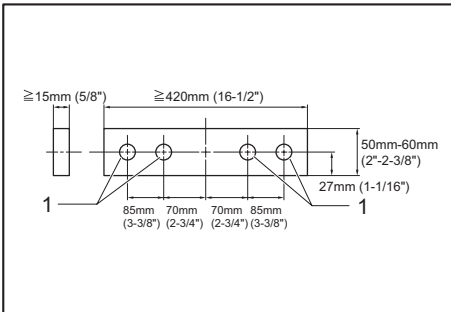
Wood facing

⚠ WARNING: Use screws to attach the wood facing to the guide fence. The screws should be installed so that the screw heads are below the surface of the wood facing so that they will not interfere with the positioning of the material being cut. Misalignment of the material being cut can cause unexpected movement during the cutting operation which may result in a loss of control and serious personal injury.

⚠ CAUTION: Use the straight wood of even thickness as the wood facing.

Use of wood facing helps to assure splinter-free cuts in workpieces. Attach a wood facing to the guide fence using the holes in the guide fence.

See the figure concerning the dimensions for a suggested wood facing.

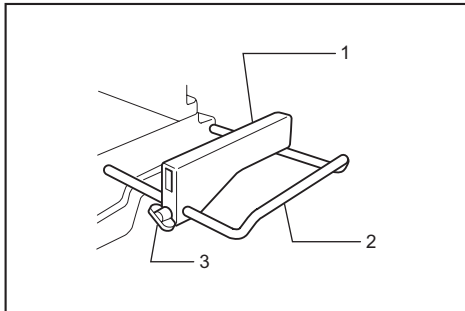


1. Holes

NOTICE: When the wood facing is attached, do not turn the turn base with the handle lowered. The blade and/or the wood facing will be damaged.

Cutting repetitive lengths

When cutting several pieces of stock to the same length, ranging from 220 mm (8-5/8") to 385 mm (15-1/8"), use the set plate (optional accessory). Install the set plate on the holder (optional accessory) as shown in the figure.



1. Set plate 2. Holder 3. Screw

Align the cutting line on your workpiece with either the left or right side of the groove in the kerf board, and while holding the workpiece, move the set plate flush against the end of the workpiece. Then secure the set plate with the screw.

When the set plate is not used, loosen the screw and turn the set plate out of the way.

NOTE: Use of the holder-rod assembly (optional accessory) allows cutting repetitive lengths up to 2,200 mm (7.2ft) approximately.

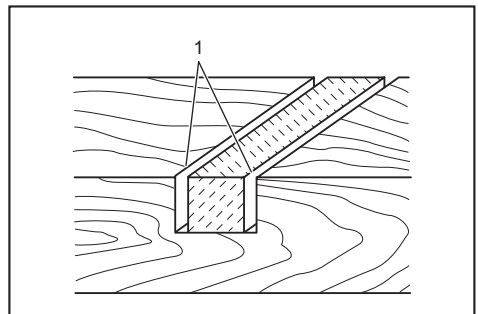
Groove cutting

⚠ WARNING: Do not attempt to perform this type of cut by using a wider type blade or dado blade. Attempting to make a groove cut with a wider blade or dado blade could lead to unexpected cutting results and kickback which may result in serious personal injury.

⚠ WARNING: Be sure to return the stopper arm to the original position when performing other than groove cutting. Attempting to make cuts with the stopper arm in the incorrect position could lead to unexpected cutting results and kickback which may result in serious personal injury.

For a dado type cut, perform as follows:

1. Adjust the lower limit position of the blade using the adjusting screw and the stopper arm to limit the cutting depth of the blade. Refer to "Stopper arm" section described on previously.
2. After adjusting the lower limit position of the blade, cut parallel grooves across the width of the workpiece using a slide (push) cut.



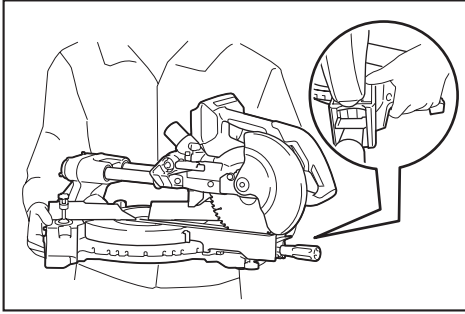
1. Cut grooves with blade

3. Remove the workpiece material between the grooves with a chisel.

Carrying tool

⚠ WARNING: Stopper pin is only for carrying and storage purposes and should never be used for any cutting operations. The use of the stopper pin for cutting operations may cause unexpected movement of the saw blade resulting in kickback and serious personal injury.

CAUTION: Always secure all moving portions before carrying the tool. If portions of the tool move or slide while being carried loss of control or balance may occur resulting in personal injury.



1. Remove the battery cartridge.
2. Secure the blade at 0° bevel angle and the turn base at the full right miter angle position.
3. Secure the slide poles so that the lower slide pole is locked in the position of the carriage fully pulled to operator and the upper poles are locked in the position of the carriage fully pushed forward to the guide fence.
4. Lower the handle fully and lock it in the lowered position by pushing in the stopper pin.
5. Carry the tool by holding both sides of the tool base. If you remove the holders, dust bag, etc., you can carry the tool more easily.

MAINTENANCE

WARNING: Always be sure that the blade is sharp and clean for the best and safest performance. Attempting a cut with a dull and/or dirty blade may cause kickback and result in a serious personal injury.

CAUTION: Always be sure that the tool is switched off and the battery cartridge is removed before attempting to perform inspection or maintenance.

NOTICE: Never use gasoline, benzene, thinner, alcohol or the like. Discoloration, deformation or cracks may result.

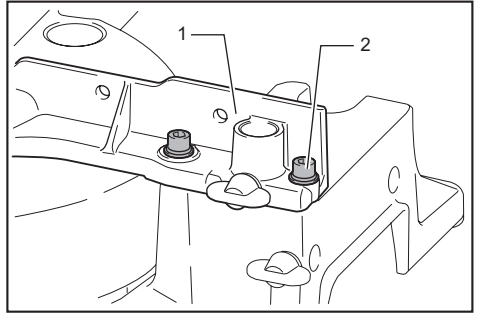
Adjusting the cutting angle

This tool is carefully adjusted and aligned at the factory, but rough handling may have affected the alignment. If your tool is not aligned properly, perform the following:

Miter angle

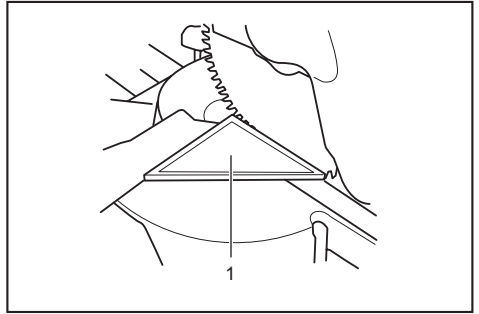
1. Push the carriage toward the guide fence and tighten two clamp screws to secure the carriage.
2. Rotate the turn base until the pointer indicates 0° on the miter scale.

3. Rotate the turn base slightly clockwise and counterclockwise to seat the turn base in the 0° miter notch. (Leave as it is if the pointer does not indicate 0°.)
4. Loosen the hex socket bolt securing the guide fence using the hex wrench.



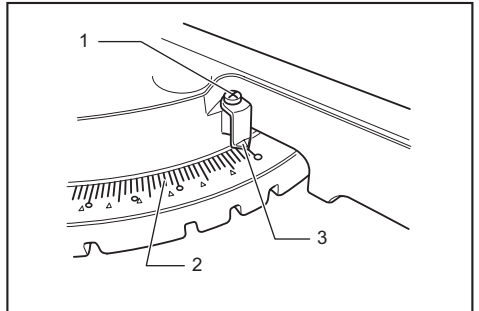
1. Guide fence
2. Hex socket bolt

5. Lower the handle fully and lock it in the lowered position by pushing in the stopper pin.
6. Adjust the guide fence until it makes a perpendicular angle with the blade using a triangular rule, try-square, etc. Then securely tighten the hex socket bolt on the guide fence in order starting from the right side.



1. Triangular rule

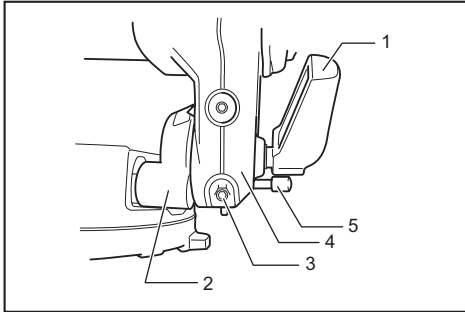
7. Make sure that the pointer indicates 0° on the miter scale. If the pointer does not indicate 0°, loosen the screw which secures the pointer and adjust the pointer so that it indicates 0°.



1. Screw
2. Miter scale
3. Pointer

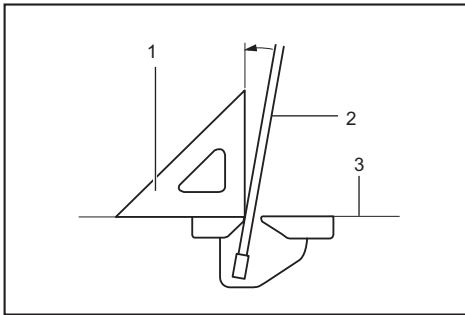
Bevel angle

0° bevel angle



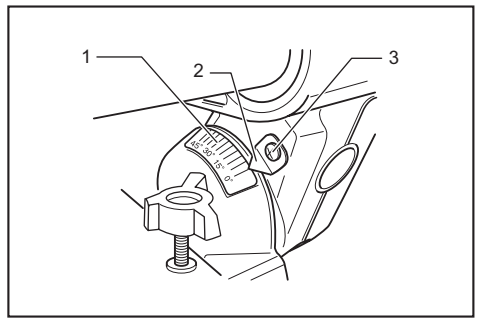
1. Lever 2. Arm holder 3. 0° degree bevel angle adjusting bolt 4. Arm 5. Release button

1. Push the carriage toward the guide fence and tighten two clamp screws to secure the carriage.
2. Lower the handle fully and lock it in the lowered position by pushing in the stopper pin.
3. Loosen the lever at the rear of the tool.
4. Turn the 0° bevel angle adjusting bolt (lower bolt) on the right side of the arm two or three revolutions counterclockwise to tilt the blade to the right.
5. Turn the 0° bevel angle adjusting bolt clockwise carefully until the side of the blade makes a perpendicular angle with the top surface of the turn base. Use the triangular rule, try-square, etc. as a guide. Then tighten the lever securely.



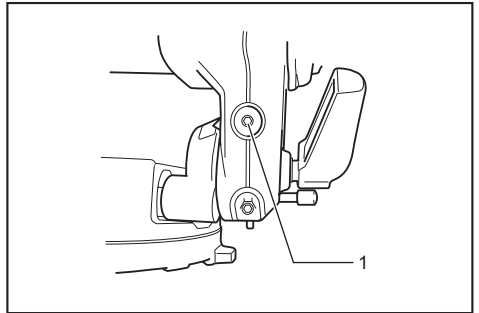
1. Triangular rule 2. Saw blade 3. Top surface of turn table

6. Make sure that the pointer on the arm indicates 0° on the bevel scale. If it does not indicate 0°, loosen the screw which secures the pointer and adjust the pointer so that it indicates 0°.



1. Bevel scale 2. Pointer 3. Screw

45° bevel angle



1. Left 45° bevel angle adjusting bolt

Adjust the 45° bevel angle only after performing 0° bevel angle adjustment.

1. Loosen the lever and tilt the blade to the left fully.
2. Make sure that the pointer on the arm indicates 45° on the bevel scale. If the pointer does not indicate 45°, turn the 45° bevel angle adjusting bolt (upper bolt) on the right side of the arm until the pointer indicates 45°.

After use

After use, wipe off chips and dust adhering to the tool with a cloth or the like. Keep the blade guard clean according to the directions in the previously covered section titled "Blade guard". Lubricate the sliding portions with machine oil to prevent rust.

When storing the tool, pull the carriage toward you fully so that the slide pole is thoroughly inserted into the turn base.

To maintain product SAFETY and RELIABILITY, repairs, any other maintenance or adjustment should be performed by Makita Authorized or Factory Service Centers, always using Makita replacement parts.

OPTIONAL ACCESSORIES

⚠️WARNING: These Makita accessories or attachments are recommended for use with your Makita tool specified in this manual. The use of any other accessories or attachments may result in serious personal injury.

⚠️WARNING: Only use the Makita accessory or attachment for its stated purpose. Misuse of an accessory or attachment may result in serious personal injury.

If you need any assistance for more details regarding these accessories, ask your local Makita Service Center.

- Carbide-tipped saw blades
- Vise assembly (Horizontal vise)
- Vertical vise
- Holder assembly
- Holder rod assembly
- Set plate
- Dust bag
- Triangular rule
- Hex wrench
- Makita genuine battery and charger

NOTE: Some items in the list may be included in the tool package as standard accessories. They may differ from country to country.

MAKITA LIMITED ONE YEAR WARRANTY

Warranty Policy

Every Makita tool is thoroughly inspected and tested before leaving the factory. It is warranted to be free of defects from workmanship and materials for the period of ONE YEAR from the date of original purchase.

Should any trouble develop during this one year period, return the COMPLETE tool, freight prepaid, to one of Makita's Factory or Authorized Service Centers. If inspection shows the trouble is caused by defective workmanship or material, Makita will repair (or at our option, replace) without charge.

This Warranty does not apply where:

- repairs have been made or attempted by others:
- repairs are required because of normal wear and tear:
- the tool has been abused, misused or improperly maintained:
- alterations have been made to the tool.

IN NO EVENT SHALL MAKITA BE LIABLE FOR ANY INDIRECT, INCIDENTAL OR CONSEQUENTIAL DAMAGES FROM THE SALE OR USE OF THE PRODUCT. THIS DISCLAIMER APPLIES BOTH DURING AND AFTER THE TERM OF THIS WARRANTY.

MAKITA DISCLAIMS LIABILITY FOR ANY IMPLIED WARRANTIES, INCLUDING IMPLIED WARRANTIES OF "MERCHANTABILITY" AND "FITNESS FOR A

SPECIFIC PURPOSE," AFTER THE ONE YEAR TERM OF THIS WARRANTY.

This Warranty gives you specific legal rights, and you may also have other rights which vary from state to state. Some states do not allow the exclusion or limitation of incidental or consequential damages, so the above limitation or exclusion may not apply to you. Some states do not allow limitation on how long an implied warranty lasts, so the above limitation may not apply to you.

SPÉCIFICATIONS

Modèle :	XSL02	
Diamètre de la lame	190 mm (7-1/2")	
Diamètre de l'orifice (alésage)	15,88mm (5/8")	
Angle d'onglet max.	Gauche 47°, Droite 57°	
Angle de biseau max.	Gauche 45°, Droite 5°	
Vitesse à vide (T/MIN)	5 700 /min	
Dimensions (L x P x H)	655 mm x 430 mm x 445 mm (25-3/4" x 17" x 17-1/2")	
Tension nominale	C.C. 36 V	
Batterie standard	BL1815N, BL1820, BL1820B	BL1830, BL1840, BL1840B, BL1850, BL1850B
Poids net	12,6 kg (27,8 lbs)	13,1 kg (28,9 lbs)

Capacités de coupe maximales (H x P) avec une lame de 190 mm (7-1/2") de diamètre

Angle de coupe d'onglet	Angle de coupe en biseau		
	45° (gauche)	0°	5° (droite)
0°	40 mm x 300 mm (1-9/16" x 11-3/4")	52 mm x 300 mm (2-1/16" x 11-3/4")	40 mm x 300 mm (1-9/16" x 11-3/4")
	45 mm x 265 mm (1-3/4" x 10-3/8") (NOTE 1)	60 mm x 265 mm (2-3/8" x 10-3/8") (NOTE 1)	–
45° (gauche et droite)	40 mm x 212 mm (1-9/16" x 8-3/8")	52 mm x 212 mm (2-1/16" x 8-3/8")	–
	45 mm x 185 mm (1-3/4" x 7-1/4") (NOTE 2)	60 mm x 185 mm (2-3/8" x 7-1/4") (NOTE 2)	–
57° (droite)	–	52 mm x 163 mm (2-1/16" x 6-3/8")	–
	–	60 mm x 145 mm (2-3/8" x 5-3/4") (NOTE 3)	–

1. Capacité de coupe max. lors de l'utilisation d'un parement de bois de 20 mm (13/16") d'épaisseur
 2. Capacité de coupe max. lors de l'utilisation d'un parement de bois de 15 mm (9/16") d'épaisseur
 3. Capacité de coupe max. lors de l'utilisation d'un parement de bois de 10 mm (3/8") d'épaisseur
- Étant donné l'évolution constante de notre programme de recherche et développement, les spécifications contenues dans ce manuel sont sujettes à modification sans préavis.
 - Les spécifications et la batterie peuvent varier suivant les pays.
 - Poids, batterie comprise, conforme à la procédure EPTA 01/2003

Pour votre propre sécurité, veuillez lire le manuel d'instructions Avant d'utiliser l'outil
Conservez-le pour référence ultérieure.

Précautions générales (pour tous les outils)

1. **VOUS DEVEZ CONNAÎTRE VOTRE OUTIL ÉLECTRIQUE.** Lisez attentivement le manuel de l'utilisateur. Familiarisez-vous avec les applications et limites de l'outil, ainsi qu'avec les risques potentiels qui lui sont spécifiques.
2. **MAINTENEZ LES PROTECTEURS EN PLACE** et

en bon état de fonctionnement.

3. **RETIREZ LES CLÉS DE RÉGLAGE ET DE SERRAGE.** Prenez l'habitude de vous assurer que les clés de réglage et de serrage ont été retirées de l'outil avant de le mettre sous tension.
4. **MAINTENEZ LA ZONE DE TRAVAIL PROPRE.** Les zones de travail et les établis encombrés ouvrent grande la porte aux accidents.
5. **ÉVITEZ L'UTILISATION DANS UN ENVIRONNEMENT DANGEREUX.** N'utilisez pas les outils électriques dans les endroits humides ou mouillés, et ne les exposez pas à la pluie. Maintenez un éclairage adéquat dans la zone de travail. Ne vous servez pas de votre outil en présence de liquides ou gaz inflammables.
6. **MAINTENEZ LES ENFANTS À L'ÉCART.** Toute

autre personne que l'utilisateur de l'outil doit se tenir à une distance sûre de la zone de travail.

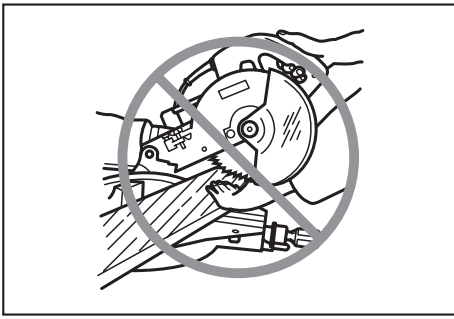
7. **FAITES EN SORTE QUE L'ATELIER SOIT SANS DANGER POUR LES ENFANTS**, en y posant des cadenas, un interrupteur principal, ou en retirant des équipements leurs clés de démarrage.
8. **NE FORCEZ PAS L'OUTIL**. Il effectuera un travail de meilleure qualité et plus sécuritaire s'il est utilisé au régime pour lequel il a été conçu.
9. **UTILISEZ LE BON OUTIL**. Ne forcez pas un outil ou accessoire à effectuer un travail pour lequel il n'a pas été conçu.
10. **PORTEZ DES VÊTEMENTS ADÉQUATS**. Ne portez ni vêtements ni gants amples, ni cravate, anneaux/bagues, bracelets ou autres bijoux susceptibles d'être happés par les pièces mobiles de l'outil. Le port de chaussures antidérapantes est recommandé. Portez un filet de protection pour envelopper les cheveux longs.
11. **PORTEZ TOUJOURS DES LUNETTES DE SÉCURITÉ**. Si le travail de coupe dégage de la poussière, portez également un écran facial ou un masque antipoussières. Les lunettes ordinaires ne sont munies que de lentilles résistantes aux chocs ; elles ne constituent **PAS** des lunettes de sécurité.
12. **FIXEZ BIEN LA PIÈCE**. Lorsque cela est possible, fixez la pièce à travailler à l'aide de dispositifs de serrage ou d'un étai. Cela est plus sécuritaire que l'utilisation de la main et libère les deux mains pour le maniement de l'outil.
13. **NE VOUS ÉTIREZ PAS TROP**. Assurez-vous d'une bonne prise au sol et d'une bonne position d'équilibre en tout temps.
14. **PRENEZ SOIN DES OUTILS**. Maintenez les outils bien aiguisés et propres pour assurer un fonctionnement sécuritaire et un rendement optimal. Suivez les instructions de lubrification et de changement des accessoires.
15. **DÉBRANCHEZ LA BATTERIE DE L'OUTIL** avant toute réparation et lorsque vous changez des accessoires tels que lames, embouts, outils tranchants, etc.
16. **RÉDUISEZ LE RISQUE DE DÉMARRAGE ACCIDENTEL**. Avant d'insérer la batterie, assurez-vous que l'interrupteur est en position d'arrêt (OFF).
17. **UTILISEZ LES ACCESSOIRES RECOMMANDÉS**. Consultez le manuel de l'utilisateur pour savoir quels sont les accessoires recommandés. L'utilisation d'accessoires non adéquats peut comporter un risque de blessure.
18. **NE VOUS APPUYEZ JAMAIS SUR L'OUTIL**. Vous courez un risque de blessure grave si l'outil bascule ou si vous touchez accidentellement l'outil tranchant.
19. **VÉRIFIEZ S'IL Y A DES PIÈCES ENDOMMAGÉES**. Avant d'utiliser l'outil, tout protecteur ou dispositif endommagé doit être vérifié soigneusement afin de s'assurer qu'il fonctionne adéquatement et peut remplir la fonction pour laquelle il est conçu. Vérifiez si les pièces mobiles sont bien alignées et bien fixées, vérifiez la présence de pièces brisées, vérifiez que l'outil est bien monté et assurez-vous que rien ne peut entraver son bon fonctionnement. Un protecteur ou tout autre dispositif endommagé doit être adéquatement réparé ou remplacé.
20. **SENS D'ALIMENTATION**. Vous devez faire avancer la pièce uniquement à l'encontre de la lame ou de l'outil tranchant.
21. **NE LAISSEZ JAMAIS SANS SURVEILLANCE UN OUTIL EN MARCHÉ. COUPEZ LE CONTACT**. Attendez que l'outil se soit complètement arrêté avant de le quitter.
22. **Avant d'insérer la batterie, vérifiez que l'interrupteur est en position d'arrêt (OFF)**. Insérer la batterie alors que l'interrupteur d'un outil électrique est en position de marche ouvre grande la porte aux accidents.
23. **N'effectuez la recharge qu'avec le chargeur spécifié par le fabricant**. Un chargeur conçu pour un certain type de batterie risque de déclencher un incendie s'il est utilisé avec une autre batterie.
24. **N'utilisez des outils électriques qu'avec leurs batteries spécifiques**. L'utilisation de toute autre batterie comporte un risque de blessure et d'incendie.
25. **Lorsque la batterie n'est pas utilisée, tenez-la à distance des objets métalliques tels que trombones, pièces de monnaie, clés, clous, vis ou autres petits objets métalliques, conducteurs potentiels entre une borne et une autre**. Un court-circuit entre les bornes de la batterie peut provoquer des brûlures ou un incendie.
26. **Dans des conditions d'utilisation inadéquates de la batterie, il peut y avoir fuite d'électrolyte; évitez tout contact avec ce liquide**. En cas de contact accidentel, rincez avec beaucoup d'eau. Si le liquide pénètre dans vos yeux, il faut aussi consulter un médecin. L'électrolyte qui s'échappe de la batterie peut causer des irritations ou des brûlures.
27. **Retirez la batterie de l'outil ou placez l'interrupteur en position de verrouillage ou d'arrêt avant d'effectuer tout réglage, de changer d'accessoire ou de ranger l'outil**. De telles mesures préventives réduisent les risques de démarrage accidentel de l'outil.
28. **Faites réparer votre outil électrique par un réparateur qualifié qui utilise des pièces de rechange identiques aux pièces d'origine**. Le maintien de la sûreté de l'outil électrique sera ainsi assuré.

Règles de sécurité supplémentaires

NE vous laissez **PAS** tromper (au fil d'une utilisation répétée) par un sentiment d'aisance et de familiarité avec le produit, en négligeant le respect rigoureux des consignes de sécurité qui accompagnent la scie radiale sans fil. L'utilisation non sécuritaire ou incorrecte de cet outil comporte un risque de blessure grave.

1. Portez un protecteur pour la vue.

2. Maintenez les mains hors de la ligne de coupe de la lame de scie. Évitez tout contact avec la lame lorsqu'elle continue de tourner après la mise hors tension de l'outil. Elle peut alors quand même causer de graves blessures.
3. N'utilisez jamais la scie sans les protecteurs en place. Assurez-vous avant chaque utilisation que le protège-lame se referme bien. N'utilisez pas la scie si le protège-lame ne se déplace pas librement et ne se referme pas instantanément. Ne fixez ou n'attachez jamais le protège-lame en position ouverte.
4. N'effectuez aucune opération en tenant la pièce à travailler uniquement avec la main. La pièce doit être fixée fermement contre le socle rotatif et le garde de guidage avec un étau lors de toutes les opérations. N'utilisez jamais la main pour immobiliser la pièce.
5. N'approchez jamais les mains de la lame de scie.
6. Coupez le contact et attendez l'arrêt de la lame de scie avant de déplacer la pièce ou de modifier les réglages.
7. Retirez la batterie de l'outil avant le changement de lame ou la réparation.
8. Pour réduire les risques de blessure, ramenez le chariot complètement vers l'arrière après chaque opération de coupe en travers.
9. Fixez toujours les composants mobiles de l'outil avant de le transporter.
10. La broche de blocage qui verrouille en position basse la tête de coupe est conçue exclusivement pour le transport et le rangement de l'outil, et ne doit être utilisée pour aucun travail de coupe.
11. Soyez bien conscient du fait que l'outil est constamment en état de marche, car il n'a pas à être raccordé à une prise de courant.
12. N'utilisez pas l'outil en présence de liquides ou gaz inflammables. Le fonctionnement électrique de l'outil peut provoquer une explosion ou un incendie lors d'une exposition à des liquides ou gaz inflammables.
13. Avant l'utilisation, vérifiez toujours soigneusement l'absence de fissures ou de dommages sur la lame. Veuillez remplacer immédiatement toute lame fissurée ou endommagée. La présence de résine et de goudron sur la lame ralentit la scie et entraîne une augmentation des risques de rebond. Pour nettoyer la lame, retirez-la d'abord de l'outil, puis utilisez un décapant, de l'eau chaude ou du kérosène pour retirer la résine et le goudron. N'utilisez jamais d'essence pour nettoyer la lame.
14. Lors de la réalisation d'une coupe en glissière, un risque de REBOND est possible. Le REBOND se produit lorsque la lame se coince dans la pièce pendant la coupe et projette rapidement la lame de scie vers l'opérateur. La perte de contrôle et une grave blessure peuvent en résulter. Si la lame commence à se coincer pendant la coupe, ne continuez pas à couper et relâchez tout de suite la gâchette.
15. Utilisez exclusivement les flasques spécifiés pour cet outil.
16. Prenez garde d'endommager l'arbre, les flasques (tout particulièrement leur surface d'installation) ou le boulon. L'endommagement de ces pièces peut causer une cassure de la lame.
17. Assurez-vous que le socle rotatif est bien immobilisé, de sorte qu'il ne bouge pas pendant l'opération. Fixez la scie à une surface de travail ou à un établi stable au moyen des trous du socle. N'utilisez JAMAIS l'outil si vous vous trouvez dans une position qui n'assure pas une pleine liberté de mouvement.
18. Pour votre sécurité, retirez les copeaux et autres petites pièces présentes sur la table avant de commencer le travail.
19. Évitez les clous. Avant de travailler votre pièce, inspectez-la et retirez-en tous les clous.
20. Assurez-vous que le blocage de l'arbre est libéré avant de mettre le contact.
21. Assurez-vous que la lame n'entre pas en contact avec le socle rotatif lorsqu'elle se trouve sur sa position la plus basse.
22. Tenez la poignée fermement. N'oubliez pas que la scie se déplace légèrement vers le haut ou le bas au démarrage et à l'arrêt.
23. Assurez-vous que la lame n'entre pas en contact avec la pièce avant de mettre l'outil sous tension.
24. Avant d'utiliser l'outil sur la pièce, laissez-le tourner à vide un instant. Soyez attentif à toute vibration ou tout sautellement pouvant indiquer que la lame n'est pas bien installée ou est mal équilibrée.
25. Attendez que la lame atteigne sa pleine vitesse avant de procéder à la coupe.
26. Arrêtez immédiatement votre outil dès que vous observez quelque chose d'anormal.
27. N'essayez pas de verrouiller la gâchette en position de marche.
28. Demeurez attentif en tout temps, et tout particulièrement lors des travaux répétitifs et monotones. Ne vous laissez pas emporter par un sentiment de sécurité trompeur. Les lames ne pardonnent pas.
29. Utilisez toujours les accessoires recommandés dans le présent manuel. L'utilisation d'accessoires inadéquats, tels que les meules abrasives par exemple, peut entraîner une blessure.
30. Ne tenez JAMAIS la pièce du côté droit de la lame avec la main gauche, et vice versa. Cela s'appelle une coupe à bras croisé et expose l'utilisateur à un RISQUE DE GRAVE BLESSURE, tel qu'indiqué sur l'illustration. Utilisez TOUJOURS un étau pour immobiliser la pièce.



31. N'empilez **JAMAIS** plusieurs pièces sur la table de travail pour accélérer le travail de coupe. Coupez les pièces une à la fois.
32. Certains matériaux contiennent des produits chimiques qui peuvent être toxiques. Prenez les précautions nécessaires pour éviter l'inhalation des poussières ou leur contact avec la peau. Conformez-vous aux consignes de sécurité du fournisseur du matériau.

CONSERVEZ CE MODE D'EMPLOI.

⚠ MISE EN GARDE : Une **MAUVAISE UTILISATION** de l'outil ou l'ignorance des consignes de sécurité du présent manuel d'instructions peuvent entraîner une grave blessure.

Consignes de sécurité importantes pour la batterie

1. Avant d'utiliser la batterie, lisez toutes les instructions et les mises en garde apposées sur (1) le chargeur de batterie, (2) la batterie et (3) le produit utilisant la batterie.
2. Ne démontez pas la batterie.
3. Cessez immédiatement l'utilisation si le temps de fonctionnement devient excessivement court. Il y a risque de surchauffe, de brûlures, voire d'explosion.
4. Si l'électrolyte pénètre dans vos yeux, rincez-les à l'eau claire et consultez immédiatement un médecin. Il y a risque de perte de la vue.
5. Ne court-circuitez pas la batterie :
 - (1) Ne touchez les bornes avec aucun matériau conducteur.
 - (2) Évitez de ranger la batterie dans un conteneur avec d'autres objets métalliques tels que clous, pièces de monnaie, etc.
 - (3) Évitez d'exposer la batterie à l'eau ou à la pluie.

Un court-circuit de la batterie pourrait provoquer un fort courant, une surchauffe, parfois des brûlures et même une panne.

6. Ne rangez pas l'outil ou la batterie dans des emplacements où la température peut atteindre ou dépasser 50 °C (122 °F).
7. Ne jetez pas la batterie au feu même si elle est

sérieusement endommagée ou complètement épuisée. La batterie peut exploser au contact du feu.

8. Prenez garde d'échapper ou de heurter la batterie.
9. N'utilisez pas une batterie si elle est endommagée.
10. Suivez la réglementation locale concernant l'élimination de la batterie.

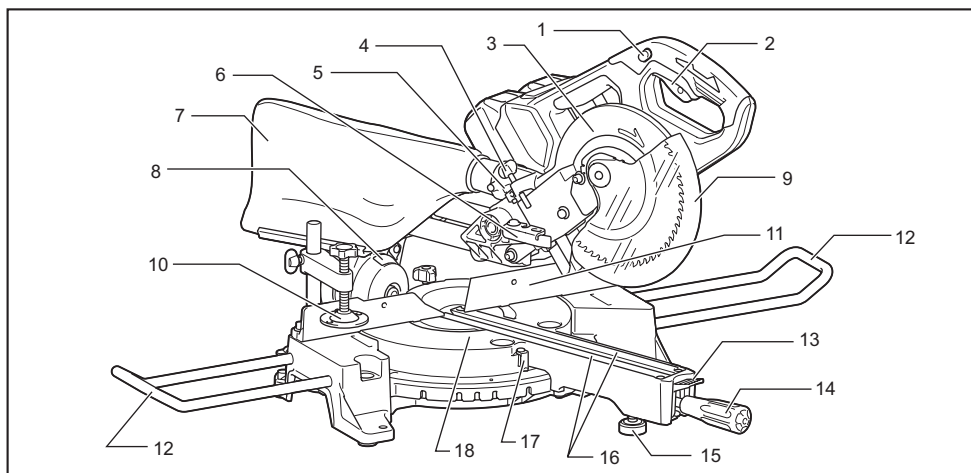
CONSERVEZ CES INSTRUCTIONS.

⚠ ATTENTION : Utilisez exclusivement les batteries fabriquées par Makita. Les batteries autres que celles fabriquées par Makita ou les batteries modifiées peuvent exploser et causer un incendie, une blessure ou des dommages. Cela annule aussi la garantie Makita de l'outil et du chargeur Makita.

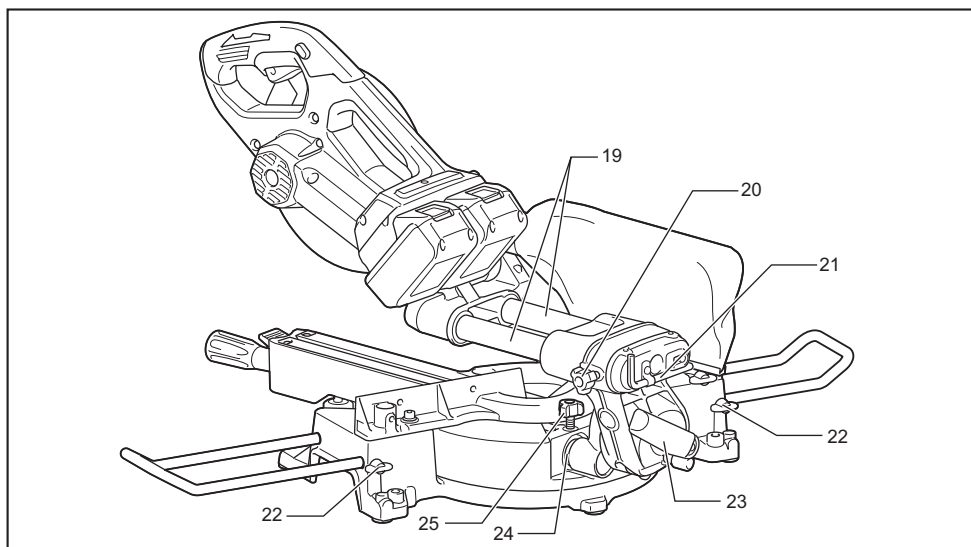
Conseils pour maintenir la durée de service maximale de la batterie

1. Rechargez la batterie avant qu'elle ne soit complètement déchargée. Arrêtez toujours l'outil et rechargez la batterie quand vous remarquez que la puissance de l'outil diminue.
2. Ne rechargez jamais une batterie complètement chargée. La surcharge réduit la durée de service de la batterie.
3. Chargez la batterie à une température ambiante comprise entre 10 °C et 40 °C (50 °F et 104 °F). Si la batterie est chaude, laissez-la refroidir avant de la charger.
4. Chargez la batterie si elle est restée inutilisée pendant une période prolongée (plus de six mois).

DESCRIPTION DES PIÈCES



1	Bouton de sécurité	2	Gâchette	3	Porte-lame	4	Vis de réglage (pour la position limite inférieure)
5	Boulon de réglage (pour capacité de coupe maximale)	6	Bras de blocage	7	Sac à poussières	8	Échelle de coupe en biseau
9	Protège-lame	10	Étau vertical	11	Garde de guidage	12	Support
13	Levier de verrouillage (pour socle rotatif)	14	Manche (pour socle rotatif)	15	Boulon de réglage (pour socle rotatif)	16	Plateau de découpe
17	Pointeur (pour angle de coupe d'onglet)	18	Socle rotatif	-	-	-	-



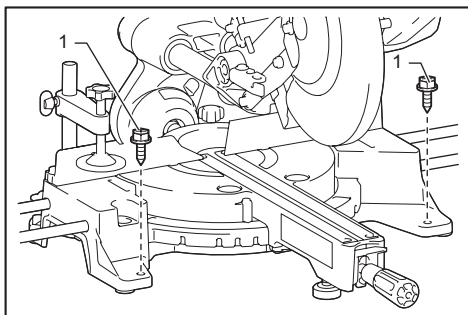
19	Tige de glissement (supérieure)	20	Vis à oreilles (pour verrouiller la tige de glissement supérieure)	21	Clé hexagonale	22	Vis de serrage (pour verrouiller le support)
23	Levier (pour ajuster l'angle de coupe en biseau)	24	Tige de glissement (inférieure)	25	Vis à oreilles (pour verrouiller la tige de glissement inférieure)	-	-

POSE

Montage du banc

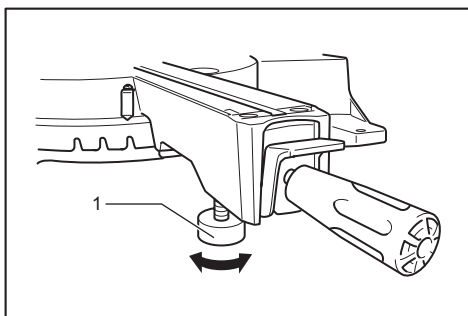
⚠ MISE EN GARDE : Assurez-vous que l'outil ne se déplace pas sur la surface de soutien. Les mouvements de la scie d'onglet sur la surface de soutien au cours de la coupe risquent de provoquer une perte de contrôle et une blessure grave.

1. Fixez le socle à une surface plane et stable, en l'y vissant avec deux boulons. Cela aide à prévenir les risques de basculement et de blessure.



1. Boulon

2. Tournez le boulon de réglage vers la droite ou la gauche de sorte qu'il entre en contact avec la surface du plancher pour assurer la stabilité de l'outil.



1. Boulon de réglage

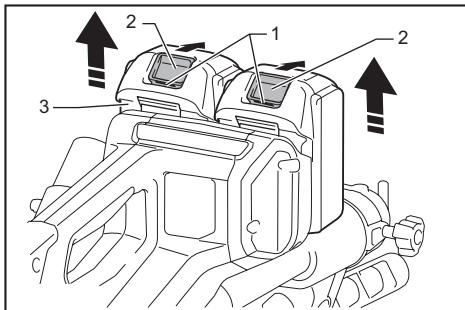
DESCRIPTION DU FONCTIONNEMENT

⚠ MISE EN GARDE : Assurez-vous toujours que l'outil est éteint et que la batterie est retirée avant d'effectuer un réglage ou de vérifier quelque chose sur l'outil. Si vous ne coupez pas le contact et ne retirez pas la batterie, un démarrage accidentel peut entraîner une grave blessure.

Installation ou retrait de la batterie

⚠ ATTENTION : Éteignez toujours l'outil avant d'installer ou de retirer la batterie.

⚠ ATTENTION : Tenez fermement l'outil et la batterie lors de l'installation ou du retrait de cette dernière. Si l'outil et la batterie ne sont pas tenus fermement, ils risquent de vous glisser des mains et de subir des dommages, ou encore de vous blesser.



1. Voyant rouge 2. Bouton 3. Batterie

Pour retirer la batterie, faites-la glisser hors de l'outil tout en glissant le bouton qui se trouve à l'avant.

Pour installer la batterie, alignez sa languette sur la rainure pratiquée dans le boîtier, et glissez la batterie en place. Insérez-la à fond jusqu'à ce que vous entendiez un léger déclic. Si vous pouvez voir le voyant rouge sur le dessus du bouton, la batterie n'est pas complètement verrouillée.

⚠ ATTENTION : Installez toujours la batterie à fond jusqu'à ce que vous ne puissiez plus voir le voyant rouge. Autrement elle risque de tomber accidentellement de l'outil et d'entraîner des blessures.

⚠ ATTENTION : Ne forcez pas sur la batterie pour l'installer. Si la batterie ne glisse pas facilement, c'est qu'elle n'est pas insérée correctement.

NOTE : L'outil ne fonctionne pas lorsqu'il n'y a qu'une seule batterie.

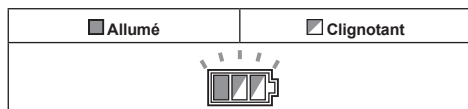
Dispositif de protection de l'outil et de la batterie

L'outil est doté d'un dispositif de protection de l'outil et de la batterie. Ce dispositif coupe automatiquement l'alimentation du moteur pour augmenter la durée de service de l'outil et de la batterie. L'outil s'arrête automatiquement pendant l'utilisation lorsque l'outil ou la batterie est dans l'une des situations suivantes. Dans certaines situations, les voyants s'allument.

Protection contre la surcharge

Lorsque l'outil est utilisé d'une manière entraînant une consommation anormale de courant, il s'arrête automatiquement sans aucune indication. Dans ce cas, éteignez l'outil et arrêtez l'activité qui entraîne une surcharge de l'outil. Remettez ensuite le contact pour redémarrer.

Protection contre la surchauffe

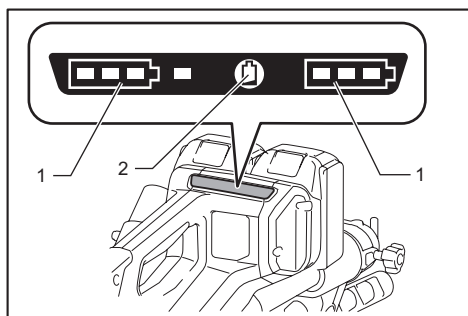


Lorsque l'outil surchauffe, il s'arrête automatiquement et le voyant de batterie clignote pendant environ 60 secondes. Dans ce cas, laissez refroidir l'outil avant de remettre le contact.

Protection contre la décharge excessive








Lorsque la charge de la batterie est basse, l'outil s'arrête automatiquement. Si l'appareil ne fonctionne pas même lorsque vous activez les interrupteurs, retirez les batteries de l'outil et rechargez-les.

Indication de la charge restante de la batterie



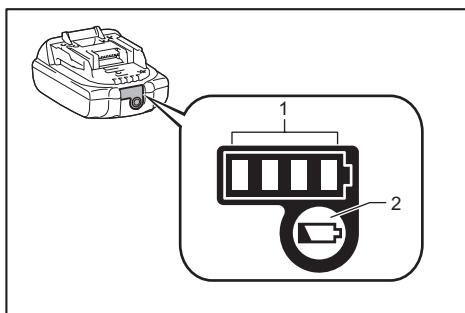
1. Voyant de batterie 2. Bouton de vérification

Appuyez sur le bouton de vérification pour afficher la charge restante des batteries. Les voyants de batterie correspondent à chacune des batteries.

État du voyant de batterie			Capacité restante de la batterie
 Allumé	 Éteint	 Clignotant	
			50 % - 100 %
			20 % - 50 %
			0 % - 20 %
			Charger la batterie




Affichage de la charge restante de la batterie

Uniquement pour les batteries dont le numéro de modèle se termine par « B »



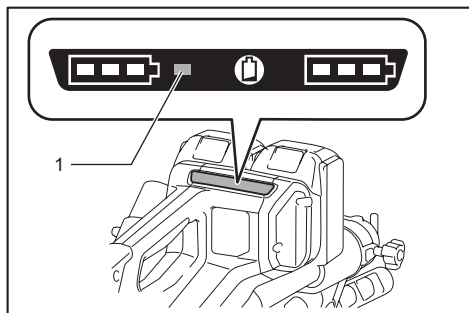
1. Témoins indicateurs 2. Bouton de vérification

Appuyez sur le bouton de vérification de la batterie pour afficher la charge restante de la batterie. Les témoins indicateurs s'allument pendant quelques secondes.

Témoins indicateurs			Charge restante
 Allumé	 Éteint	 Clignotant	
■	■	■	75 % à 100 %
■	■	□	50 % à 75 %
■	□	□	25 % à 50 %
■	□	□	0 % à 25 %
▬	□	□	Charger la batterie.
■	■	□	La batterie a peut-être mal fonctionné.
□	□	■	

NOTE : Suivant les conditions d'utilisation et la température ambiante, il se peut que l'indication soit légèrement différente de la charge réelle.

Fonction de changement de vitesse automatique



1. Voyant de mode

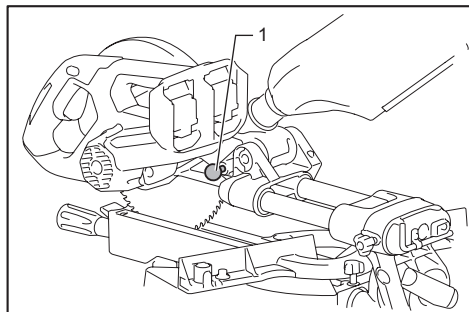
État du voyant de mode	Mode de fonctionnement
	Mode de vitesse élevée
	Mode de couple de serrage élevé

Cet outil est doté d'un « mode de vitesse élevée » et d'un « mode de couple de serrage élevé ». Il change automatiquement de mode de fonctionnement selon la charge de travail. Lorsque le voyant de mode s'allume pendant l'opération, l'outil est en mode de couple de serrage élevé.

Broche de blocage

ATTENTION : Tenez toujours la poignée lorsque vous libérez la broche de blocage. Autrement la poignée risque de se soulever et de causer une blessure.

Pour libérer la broche de blocage, maintenez une légère pression vers le bas sur la poignée tout en tirant sur la broche de blocage.



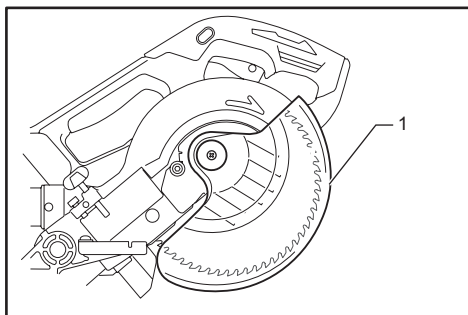
1. Broche de blocage

Protège-lame

MISE EN GARDE : Ne neutralisez et ne retirez jamais le protège-lame ni le ressort qui y est fixé. Une lame exposée en conséquence d'une protection neutralisée comporte un risque de blessure grave pendant l'opération.

MISE EN GARDE : N'utilisez jamais l'outil si le protège-lame ou le ressort est endommagé, fonctionne mal ou a été retiré. L'utilisation de l'outil avec un protège-lame endommagé, défectueux ou retiré peut entraîner une grave blessure.

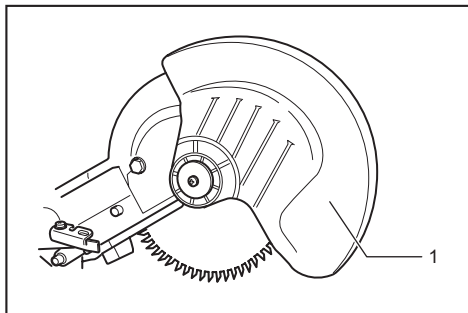
ATTENTION : Pour assurer la sécurité du fonctionnement, maintenez toujours le protège-lame en bon état. Cessez immédiatement l'opération en cas de fonctionnement irrégulier du protège-lame. Assurez-vous que l'action de retour du protège-lame par son ressort s'effectue correctement.



1. Protège-lame

Lorsque vous abaissez la poignée, le protège-lame s'élève automatiquement. Le protège-lame est maintenu par un ressort et revient donc à sa position d'origine lorsque la coupe est terminée et que vous relevez la poignée.

Nettoyage



1. Protège-lame

Si le protège-lame transparent se salit, ou si de la poussière s'y colle et que la lame et/ou la pièce n'est plus visible, retirez la batterie et nettoyez soigneusement le protège-lame avec un linge humide. N'utilisez aucun solvant ou nettoyant à base de pétrole pour nettoyer le protège-lame de plastique, car cela pourrait l'endommager.

Pour le nettoyage, soulevez le protège-lame en vous reportant à « Pose et retrait de la lame de scie ». Après le nettoyage, pensez à ramener la lame et le couvercle central, et serrez le boulon hexagonal.

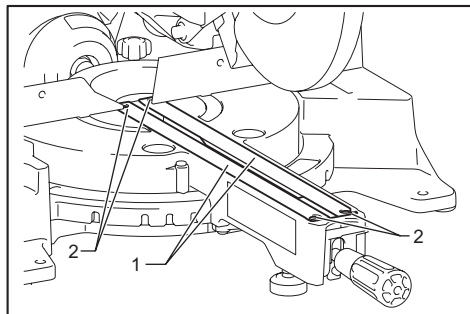
1. Assurez-vous que l'outil est éteint et que les batteries sont retirées.
2. Tout en tenant le couvercle central, tournez le boulon hexagonal dans le sens contraire des aiguilles d'une montre à l'aide de la clé hexagonale fournie.
3. Soulevez le protège-lame et le couvercle central.
4. Une fois le nettoyage terminé, ramenez le couvercle central et serrez le boulon hexagonal en effectuant l'inverse des étapes ci-dessus.

⚠ MISE EN GARDE : Ne retirez pas le ressort qui retient le protège-lame. Si le protège-lame s'use avec le temps ou sous l'effet des rayons ultraviolets, contactez un centre de service après-vente Makita pour le faire remplacer. **NE NEUTRALISEZ PAS ET NE RETIREZ PAS LE PROTÈGE-LAME.**

Positionnement du plateau de découpe

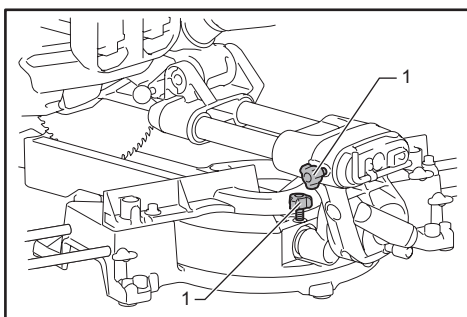
Le socle rotatif de cet outil est équipé de plateaux de découpe pour réduire la déchirure du côté extérieur de la coupe. Les plateaux de découpe sont réglés en usine de sorte qu'ils n'entrent pas en contact avec la lame de scie. Avant l'utilisation, ajustez les plateaux de découpe comme suit :

1. Pensez à retirer la batterie. Desserrez ensuite toutes les vis (2 de chaque côté) qui immobilisent les plateaux de découpe.



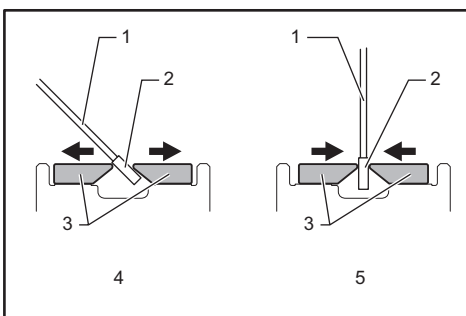
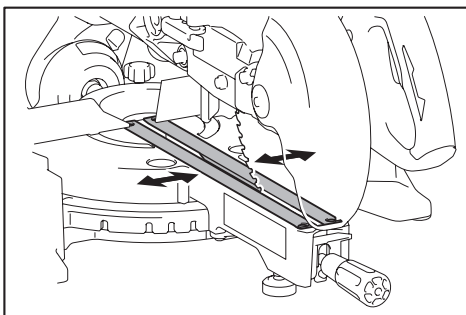
1. Plateau de découpe 2. Vis

2. Resserrez-les de façon à pouvoir déplacer facilement les plateaux de découpe manuellement.
3. Abaissez complètement la poignée et enfoncez la broche de blocage pour verrouiller la poignée dans cette position.
4. Desserrez les deux vis de serrage qui retiennent les tiges de glissement.



1. Vis à oreilles

5. Tirez complètement le chariot vers vous.
6. Réglez les plateaux de découpe de sorte qu'ils n'entrent en contact qu'avec les côtés des dents de la lame.



1. Lame de scie 2. Dents de la lame 3. Plateau de découpe 4. Coupe en biseau gauche 5. Coupe rectiligne

7. Serrez les vis avant (ne les serrez pas fermement).
8. Poussez complètement le chariot vers la garde de guidage et réglez les plateaux de découpe de sorte qu'ils n'entrent en contact qu'avec les côtés des dents de la lame.
9. Serrez les vis arrière (ne les serrez pas fermement).
10. Après le réglage des plateaux de découpe, relâchez la broche de blocage et soulevez la poignée. Serrez ensuite toutes les vis fermement.

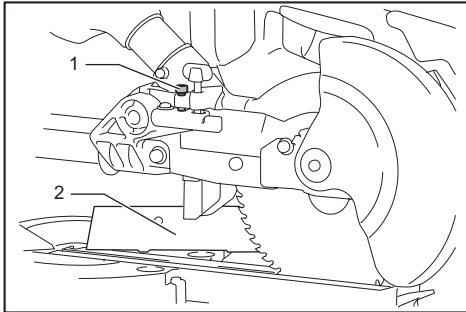
AVIS : Après le réglage de l'angle de coupe en biseau, assurez-vous que les plateaux de découpe sont bien réglés. Le réglage adéquat des plateaux de découpe aide à apporter un bon soutien à la pièce et à réduire sa détérioration.

Maintien de la capacité de coupe maximale

Cet outil est réglé en usine de sorte que sa capacité de coupe maximale soit atteinte avec une lame de scie de 190 mm (7-1/2").

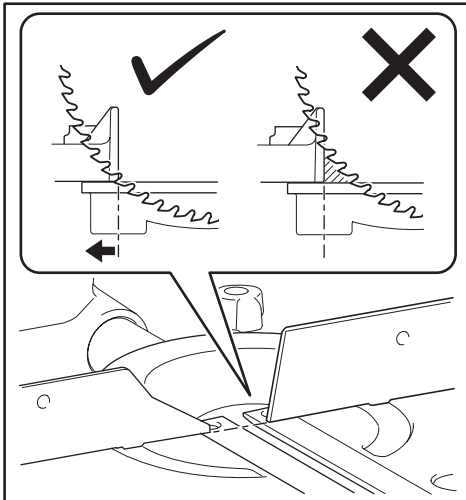
Lorsque vous installez une nouvelle lame, vérifiez toujours la position limite inférieure de la lame et, au besoin, réglez-la comme suit :

1. Retirez la batterie. Ensuite, poussez complètement le chariot vers le garde de guidage et abaissez totalement la poignée.



1. Boulon de réglage 2. Garde de guidage

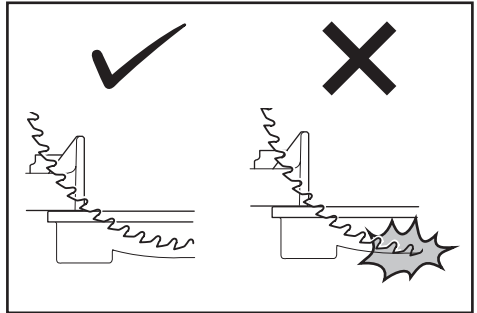
2. À l'aide de la clé hexagonale, tournez le boulon de réglage jusqu'à ce que la lame de scie se trouve légèrement sous la section de croisement du garde de guidage et de la face supérieure du socle rotatif.



3. Tournez la lame manuellement tout en maintenant la poignée complètement abaissée, pour être sûr que la lame n'entre en contact avec aucune partie du socle

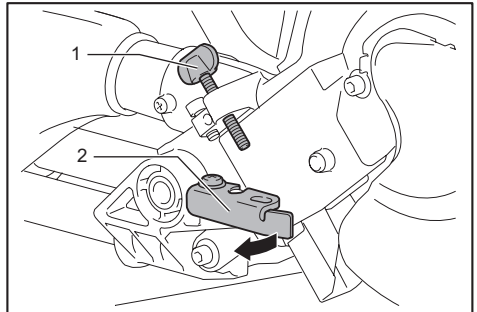
inférieur. Au besoin, effectuez un léger réajustement.

⚠ MISE EN GARDE : Après l'installation d'une nouvelle lame et avec la batterie retirée, assurez-vous toujours que la lame n'entre pas en contact avec le socle inférieur lorsque la poignée est complètement abaissée. Si la lame touche le socle, elle risque de provoquer un rebond et d'entraîner une grave blessure.



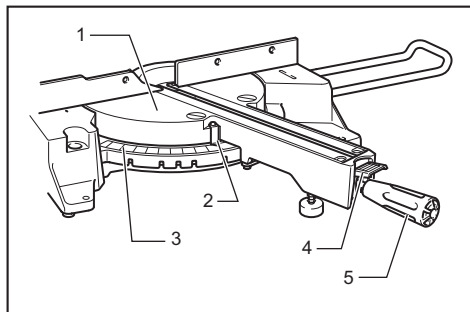
Bras de blocage

Le bras de blocage permet un réglage facile de la position limite inférieure de la lame. Pour l'ajuster, déplacez le bras de blocage dans le sens de la flèche sur l'illustration. Tournez la vis de réglage et abaissez complètement la poignée pour vérifier le résultat.



1. Vis de réglage 2. Bras de blocage

Réglage de l'angle de coupe d'onglet



1. Socle rotatif 2. Pointeur 3. Échelle de coupe d'onglet 4. Levier de verrouillage 5. Manche

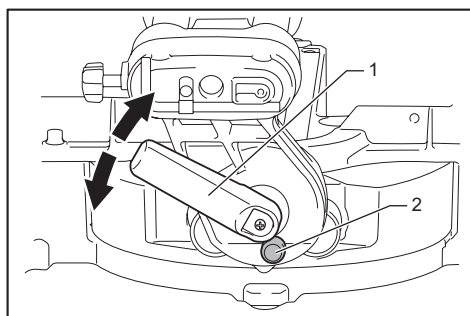
1. Desserrez le manche en le tournant dans le sens contraire des aiguilles d'une montre.
2. En maintenant le levier de verrouillage enfoncé, réglez l'angle du socle rotatif. Guidez-vous sur le pointeur et sur l'échelle de coupe d'onglet.
3. Serrez fermement le manche en le tournant dans le sens des aiguilles d'une montre.

ATTENTION : Après avoir modifié l'angle de coupe d'onglet, fixez toujours le socle rotatif en serrant fermement le manche.

AVIS : Assurez-vous de soulever complètement la poignée lorsque vous faites tourner le socle rotatif.

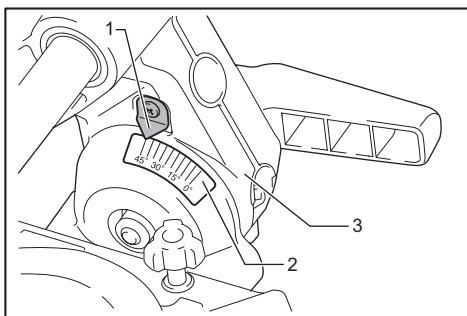
Réglage de l'angle de coupe en biseau

Pour ajuster l'angle de coupe en biseau, desserrez le levier à l'arrière de l'outil en tournant dans le sens contraire des aiguilles d'une montre.



1. Levier 2. Bouton de libération

Pour incliner la lame vers la gauche, tenez la poignée et inclinez le chariot. Guidez-vous sur l'échelle de coupe en biseau et sur le pointeur. Serrez ensuite le levier fermement en tournant dans le sens des aiguilles d'une montre pour fixer le bras.



1. Pointeur 2. Échelle de coupe en biseau 3. Bras

Pour incliner la lame vers la droite, tenez la poignée et inclinez le chariot légèrement vers la gauche, puis appuyez sur le bouton de libération. En maintenant le bouton de libération enfoncé, inclinez la lame de scie vers la droite. Serrez ensuite le levier.

ATTENTION : Après avoir modifié l'angle de coupe en biseau, fixez toujours le bras en serrant le levier dans le sens des aiguilles d'une montre.

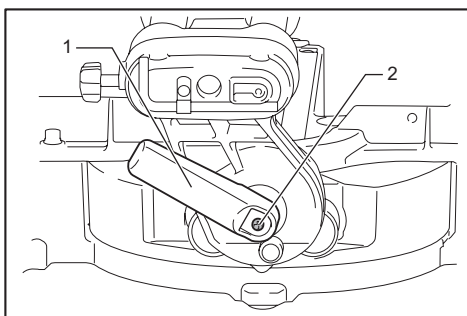
AVIS : Vous devez soulever la poignée complètement avant d'incliner la lame de scie.

AVIS : Lorsque vous modifiez l'angle de coupe en biseau, assurez-vous toujours de bien placer les plateaux de découpe, tel que décrit dans la section « Positionnement du plateau de découpe ».

Réglage de la position du levier

Si le levier se desserre au fil du temps, modifiez sa position. Le levier peut être repositionné à intervalles de 30°.

Desserrez et retirez la vis qui retient le levier. Retirez le levier et réinstallez-le de sorte qu'il pointe légèrement au-dessus de l'horizontale. Serrez ensuite le levier fermement avec la vis.



1. Levier 2. Vis

Interrupteur

⚠ MISE EN GARDE : Avant d'installer la batterie dans l'outil, vérifiez toujours que la gâchette fonctionne correctement et qu'elle revient en position d'arrêt (OFF) quand vous la libérez. Si vous utilisez un outil avec une gâchette qui ne fonctionne pas correctement, vous risquez de perdre le contrôle de l'outil et de vous blesser grièvement.

⚠ MISE EN GARDE : N'utilisez pas un verrou dont la tige ou le câble a un diamètre inférieur à 6,35 mm (1/4"). Une tige ou un câble de format inférieur pourrait ne pas verrouiller correctement l'outil en position arrêtée et un démarrage accidentel risquerait de vous blesser grièvement.

⚠ MISE EN GARDE : N'utilisez JAMAIS un outil dont la gâchette présente un problème. Tout outil dont la gâchette présente un problème est TRÈS DANGEREUX et doit être réparé avant d'être utilisé, autrement il y a risque de blessure grave.

⚠ MISE EN GARDE : Pour votre sécurité, cet outil est doté d'un bouton de sécurité qui prévient le démarrage accidentel de l'outil. N'utilisez JAMAIS l'outil s'il s'active simplement en appuyant sur la gâchette sans presser le bouton de sécurité. Une gâchette défectueuse peut provoquer un démarrage accidentel de l'outil et une grave blessure. AVANT de poursuivre l'utilisation, retournez l'outil à un centre de service après-vente Makita pour le faire réparer.

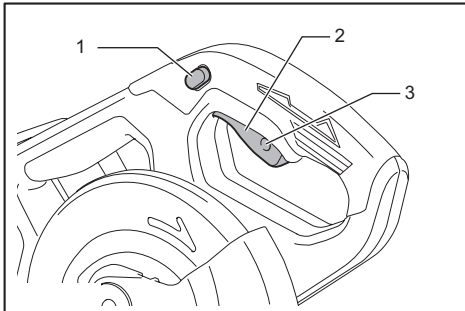
⚠ MISE EN GARDE : Ne neutralisez JAMAIS le bouton de sécurité avec du ruban ou de toute autre manière. Une gâchette dont le bouton de sécurité est neutralisé pourrait provoquer un démarrage accidentel et une grave blessure.

AVIS : Ne tirez pas fortement sur la gâchette sans avoir d'abord enfoncé le bouton de sécurité. Vous risquez de casser la gâchette.

Un bouton de sécurité est fourni pour prévenir la pression accidentelle sur la gâchette. Pour faire démarrer l'outil, enfoncez le bouton de sécurité et appuyez sur la gâchette. Pour l'arrêter, libérez la gâchette.

Le bouton de sécurité peut être enfoncé par la droite ou la gauche.

Un trou a été prévu dans la gâchette pour l'insertion d'un cadenas permettant de déverrouiller l'outil.



1. Bouton de sécurité 2. Gâchette 3. Trou pour cadenas

Frein électrique

Cet outil est muni d'un frein de lame électrique. Si la libération de la gâchette ne permet pas d'arrêter promptement la lame d'une fois à l'autre, faites réparer l'outil dans un centre de service après-vente Makita.

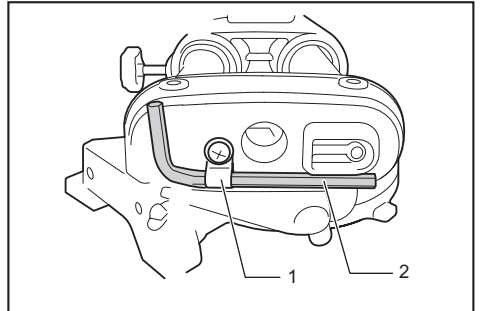
⚠ ATTENTION : Le système de freinage de la lame ne doit pas remplacer le protège-lame. N'utilisez jamais un outil dont le protège-lame ne fonctionne pas. Une lame non protégée peut causer une grave blessure.

ASSEMBLAGE

⚠ MISE EN GARDE : Assurez-vous toujours que l'outil est éteint et que la batterie est retirée avant d'effectuer toute opération dessus. Vous risquez une grave blessure si l'outil n'est pas éteint et si la batterie n'est pas retirée.

Rangement de la clé hexagonale

La clé hexagonale est rangée de la façon illustrée. Pour utiliser la clé hexagonale, retirez-la du support à clé. Après avoir utilisé la clé hexagonale, remettez-la dans le support à clé pour l'y ranger.



1. Support à clé 2. Clé hexagonale

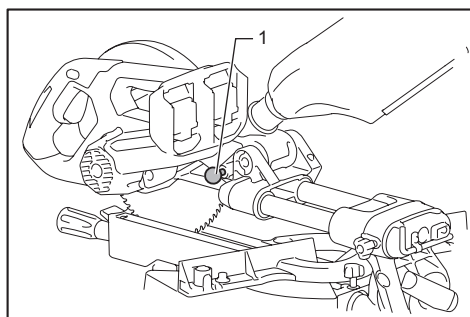
Pose et retrait de la lame de scie

⚠ MISE EN GARDE : Assurez-vous toujours que l'outil est éteint et que la batterie est retirée avant de poser ou de retirer la lame. Un démarrage accidentel de l'outil risquerait de causer une grave blessure.

⚠ ATTENTION : Utilisez uniquement la clé hexagonale Makita fournie pour installer ou enlever la lame. Autrement le boulon hexagonal risque d'être trop ou pas assez serré. Cela comporte un risque de blessure.

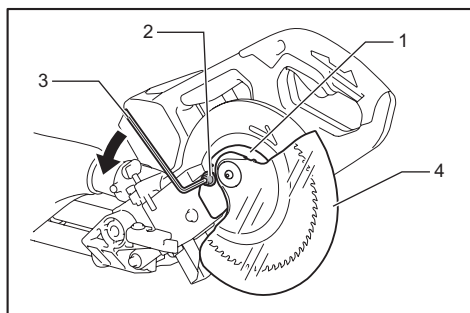
Pour retirer la lame, suivez ces étapes :

1. Verrouillez la poignée en position élevée en y enfonçant la broche de blocage.



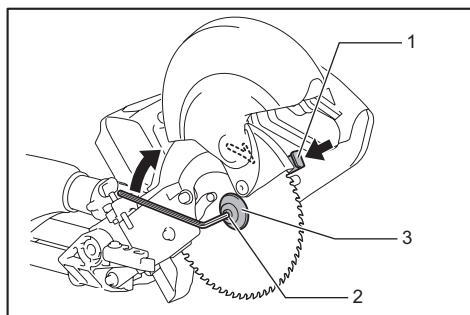
1. Broche de blocage

2. Utilisez la clé hexagonale pour desserrer le boulon hexagonal qui retient le couvercle central, en tournant dans le sens contraire des aiguilles d'une montre. Soulevez ensuite le protège-lame et le couvercle central.



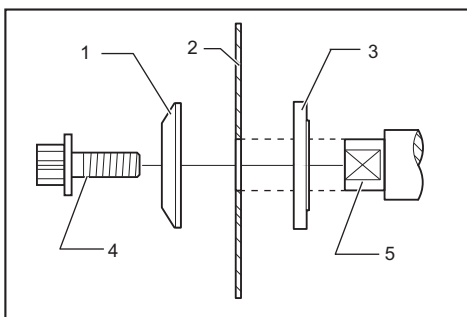
1. Couvercle central 2. Boulon hexagonal 3. Clé hexagonale 4. Protège-lame

3. Appuyez sur le blocage de l'arbre pour verrouiller l'axe, et utilisez la clé hexagonale pour desserrer le boulon hexagonal en tournant dans le sens des aiguilles d'une montre. Retirez ensuite le boulon hexagonal de l'axe, du flasque extérieur et de la lame.



1. Blocage de l'arbre 2. Boulon hexagonal 3. Flasque extérieur

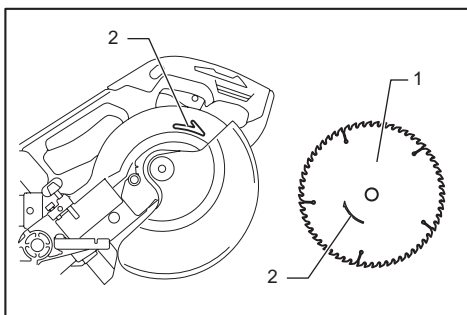
4. Si le flasque intérieur a été retiré, installez-le sur l'axe avec sa partie saillante orientée du côté opposé à la lame. Si le flasque est mal installé, il frottera contre la machine.



1. Flasque extérieur 2. lame de scie 3. Flasque intérieur 4. Boulon hexagonal (à filet renversé) 5. Axe

Pour installer la lame, suivez ces étapes :

1. Montez soigneusement la lame sur l'axe. Assurez-vous que la flèche de la lame et la flèche du porte-lame pointent dans le même sens.



1. lame de scie 2. Flèche

2. Installez le flasque extérieur et le boulon hexagonal, puis utilisez la clé hexagonale pour serrer fermement le boulon hexagonal (à filet renversé) de l'axe en tournant dans le sens contraire des aiguilles d'une montre tout en appuyant sur le blocage de l'arbre.

3. Ramenez le protège-lame et le couvercle central sur leur position d'origine. Serrez ensuite le boulon hexagonal du couvercle central dans le sens des aiguilles d'une montre pour immobiliser le couvercle central.

4. Libérez la poignée de la position élevée en tirant sur la broche de blocage. Abaissez la poignée pour vous assurer que le protège-lame se déplace correctement.

5. Avant d'effectuer une coupe, assurez-vous que le blocage de l'arbre a libéré l'axe.

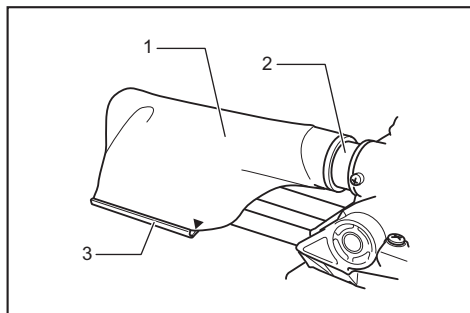
Sac à poussières

L'utilisation du sac à poussières rend les opérations de coupe plus propres et facilite la collecte des poussières. Pour fixer le sac à poussières, insérez-le dans le raccord à poussières.

Pour fixer l'agrafe, alignez son extrémité supérieure sur le triangle du sac à poussières.

Lorsque le sac à poussières est environ à moitié plein, retirez-le de l'outil et tirez sur l'agrafe. Videz le sac à

poussières, en le tapant légèrement pour retirer les particules qui adhèrent à sa surface intérieure et risqueraient de faire obstacle à la collecte des poussières par la suite.



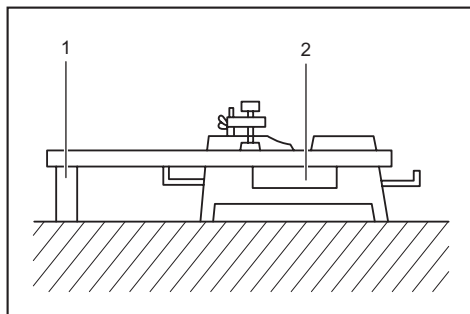
1. Sac à poussières 2. Raccord à poussières
3. Agrafe

NOTE : Si vous raccordez un aspirateur à la scie, vous effectuerez votre travail de façon plus propre.

Immobilisation de la pièce

MISE EN GARDE : Il est extrêmement important de toujours bien fixer la pièce, avec le bon type d'étau. Dans le cas contraire, vous risquez une grave blessure et l'outil et/ou la pièce peuvent être endommagés.

MISE EN GARDE : Lorsque vous coupez une pièce plus longue que le socle de soutien de la scie, soutenez le matériau sur toute la longueur au-delà du socle de soutien et à la même hauteur, pour que le matériau reste de niveau. Un bon soutien de la pièce aide à éviter le coincement de la lame et les éventuels rebonds qui risqueraient de vous blesser grièvement. Ne comptez pas uniquement sur l'étau vertical et/ou horizontal pour bloquer la pièce. Les matériaux fins ont tendance à s'affaisser. La pièce doit être soutenue sur toute sa longueur pour éviter que la lame ne se coince, ce qui comporte un risque de REBOND.

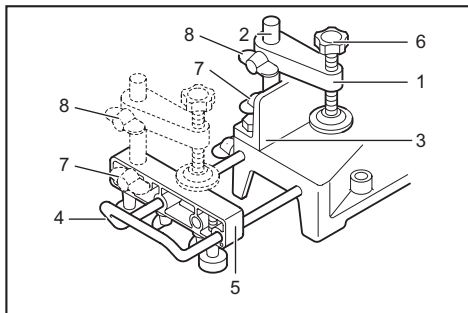


1. Support 2. Socle rotatif

Étau vertical

MISE EN GARDE : Utilisez l'étau pour immobiliser la pièce contre le socle rotatif et le garde de guidage au cours de toute opération. Autrement le matériau risque de se déplacer pendant la coupe, d'endommager la lame et d'être projeté, ce qui peut causer une perte de contrôle et une grave blessure.

Installez l'étau vertical du côté gauche ou droit du garde de guidage ou de l'ensemble de support (accessoire en option). Insérez la tige de l'étau dans l'orifice du garde de guidage ou de l'ensemble de support, et serrez la vis inférieure pour fixer la tige de l'étau.



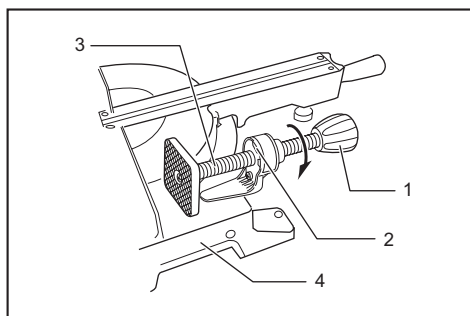
1. Bras de l'étau 2. Tige de l'étau 3. Garde de guidage 4. Support 5. Ensemble de support
6. Bouton de l'étau 7. Vis inférieure 8. Vis supérieure

Positionnez le bras de l'étau selon l'épaisseur et la forme de la pièce, et fixez le bras de l'étau en serrant la vis supérieure. Si la vis supérieure entre en contact avec le garde de guidage, installez-la de l'autre côté du bras de l'étau. Assurez-vous qu'aucune partie de l'outil n'entre en contact avec l'étau lorsque vous abaissez complètement la poignée et tirez ou poussez jusqu'au bout le chariot. Si une partie quelconque entre en contact avec l'étau, modifiez la position de ce dernier. Appuyez la pièce bien à plat contre le garde de guidage et le socle rotatif. Placez la pièce sur la position de coupe désirée et immobilisez-la fermement en serrant le bouton de l'étau.

Étau horizontal

Accessoire en option

MISE EN GARDE : Ne tenez la pièce que lorsque l'indicateur se trouve sur sa position la plus haute. Dans le cas contraire, la pièce risque de ne pas être correctement fixée. Cela risquerait d'entraîner l'éjection de la pièce, d'endommager la lame ou de provoquer une perte de contrôle pouvant causer une grave blessure.



1. Bouton de l'étau 2. Indicateur 3. Arbre de l'étau
4. Socle

L'étau horizontal peut être installé du côté gauche du socle.

Lorsque le bouton de l'étau est tourné dans le sens contraire des aiguilles d'une montre, la vis se libère et l'arbre de l'étau peut être déplacé rapidement vers l'intérieur et l'extérieur. Lorsque le bouton de l'étau est tourné dans le sens des aiguilles d'une montre, la vis demeure fixée.

Pour serrer la pièce, tournez doucement le bouton de l'étau dans le sens des aiguilles d'une montre, jusqu'à ce que l'indicateur atteigne sa position la plus haute, puis serrez fermement. Si le bouton de l'étau est forcé vers l'intérieur ou l'extérieur pendant qu'il est tourné dans le sens des aiguilles d'une montre, il se peut que l'indicateur s'arrête en formant un angle. Dans ce cas, ramenez le bouton de l'étau en le tournant en sens contraire des aiguilles d'une montre jusqu'à ce que la vis soit libérée, puis tournez à nouveau doucement dans le sens des aiguilles d'une montre.

L'étau horizontal peut immobiliser une pièce d'une largeur maximale de 120 mm (4-3/4").

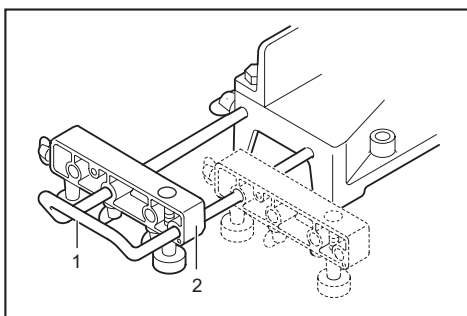
Supports et ensemble de support

Accessoire en option

⚠ MISE EN GARDE : Soutenez toujours les pièces longues afin qu'elles soient au niveau de la face supérieure du socle rotatif pour effectuer une coupe précise et éviter une dangereuse perte de contrôle de l'outil. Un bon soutien de la pièce aide à éviter le coincement de la lame et les éventuels rebonds qui risqueraient de vous blesser grièvement.

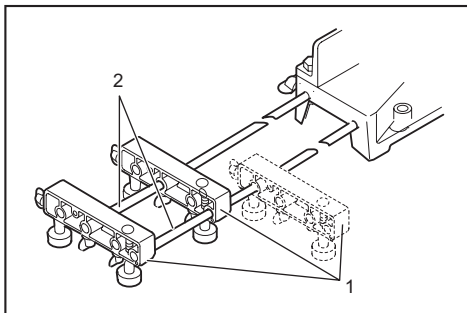
Les supports et l'ensemble de support (accessoire en option) peuvent être installés d'un côté ou de l'autre et offrent un moyen pratique de soutenir les pièces horizontalement.

Installez-les sur le côté de l'outil, puis immobilisez-les en serrant fermement les vis.



1. Support 2. Ensemble de support

Lorsque vous coupez de longues pièces, utilisez l'ensemble de butées et tiges (accessoire en option). Il se compose de deux ensembles de support et de deux tiges numéro 12.



1. Ensemble de support 2. Tige numéro 12

UTILISATION

⚠ MISE EN GARDE : Avant de mettre le contact, assurez-vous que la lame ne touche pas la pièce ni quoi que ce soit. Le démarrage de l'outil avec la lame en contact avec la pièce peut causer un rebond et une blessure grave.

⚠ MISE EN GARDE : Après une opération de coupe, ne relevez pas la lame avant qu'elle ne soit complètement arrêtée. En relevant une lame qui tourne, vous risqueriez de vous blesser grièvement ou d'endommager la pièce.

⚠ MISE EN GARDE : Pendant que la lame tourne, ne touchez pas les vis de serrage qui retiennent les tiges de glissement. Autrement vous risquez de perdre le contrôle de l'outil et de vous blesser.

AVIS : Avant l'utilisation, pensez à libérer la poignée de la position abaissée en tirant sur la broche de blocage.

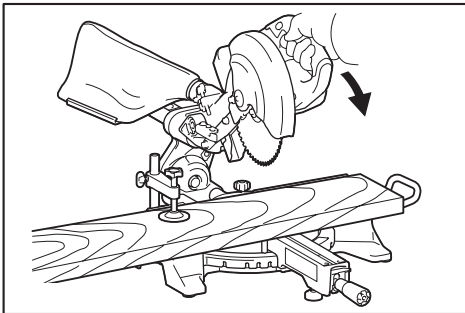
AVIS : Pendant la coupe, n'appliquez pas une pression excessive sur la poignée. L'application d'une trop grande force peut entraîner une surcharge du moteur et/ou réduire la capacité de coupe. Abaissez la poignée en ne lui appliquant que la force nécessaire pour obtenir une coupe en douceur et sans décélération excessive de la lame.

AVIS : Abaissez doucement la poignée pour effectuer la coupe. Si la poignée est abaissée avec force ou si une force latérale lui est appliquée, la lame risque de vibrer et de laisser une marque (trace de scie) dans la pièce, et la précision de la coupe risque d'être affectée.

AVIS : Lors d'une coupe en glissière, poussez doucement le chariot vers le garde de guidage sans arrêter. Si le mouvement du chariot est interrompu pendant la coupe, cela risque de laisser une marque sur la pièce et d'affecter la précision de la coupe.

Coupe sous presse (coupe de petites pièces)

⚠ MISE EN GARDE : Serrez fermement les deux vis de serrage qui retiennent les tiges de glissement, dans le sens des aiguilles d'une montre, de sorte que le chariot ne bouge pas pendant l'opération. Un serrage insuffisant de la vis de blocage peut provoquer un rebond et de graves blessures.



Des pièces jusqu'à 52 mm (2-1/16") de hauteur et 97 mm (3-13/16") de largeur peuvent être coupées comme suit.

1. Pour fixer le chariot, poussez-le complètement vers le garde de guidage et serrez les deux vis de serrage qui retiennent les tiges de glissement, dans le sens des aiguilles d'une montre.
2. Fixez la pièce avec le bon type d'étau.
3. Mettez le contact alors que la lame ne touche aucune surface, et attendez que la lame ait atteint sa pleine vitesse avant de l'abaisser.
4. Descendez doucement la poignée jusqu'à la position complètement abaissée pour couper la pièce.
5. Une fois la coupe terminée, éteignez l'outil et

attendez l'arrêt complet de la lame avant de remettre la lame sur sa position la plus haute.

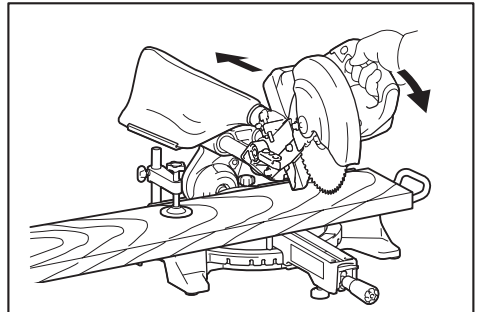
Coupe en glissière (poussée) (coupe de grandes pièces)

⚠ MISE EN GARDE : Avant d'effectuer une coupe en glissière, commencez par tirer complètement le chariot vers vous et abaissez complètement la poignée, puis poussez le chariot vers le garde de guidage. Ne commencez jamais la coupe sans d'abord tirer le chariot complètement vers vous. Si vous effectuez la coupe en glissière alors que le chariot n'est pas tiré complètement vers vous, vous risquez de provoquer un rebond inattendu et de subir une grave blessure.

⚠ MISE EN GARDE : N'essayez jamais d'effectuer une coupe en glissière en tirant le chariot vers vous. En tirant le chariot vers vous pendant la coupe, vous risqueriez de provoquer un rebond inattendu et de subir une grave blessure.

⚠ MISE EN GARDE : N'effectuez jamais une coupe en glissière lorsque la poignée est verrouillée en position abaissée.

⚠ MISE EN GARDE : Ne desserrez jamais le bouton immobilisant le chariot pendant que la lame tourne. Un chariot mal serré pendant la coupe peut provoquer un rebond inattendu et entraîner une grave blessure.



1. Desserrez les deux vis de serrage qui retiennent les tiges de glissement, dans le sens contraire des aiguilles d'une montre, pour que le chariot puisse glisser librement.
2. Fixez la pièce avec le bon type d'étau.
3. Tirez complètement le chariot vers vous.
4. Mettez l'outil sous tension alors que la lame n'entre en contact avec aucune surface, et attendez qu'elle ait atteint sa pleine vitesse.
5. Abaissez la poignée et poussez le chariot vers le garde de guidage et à travers la pièce.
6. Une fois la coupe terminée, éteignez l'outil et attendez l'arrêt complet de la lame avant de remettre la lame sur sa position la plus haute.

Coupe d'onglet

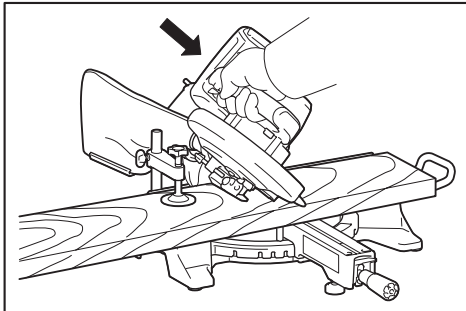
Référez-vous à la section précédente intitulée « Réglage de l'angle de coupe d'onglet ».

Coupe en biseau

⚠ MISE EN GARDE : Après le réglage de la lame pour une coupe en biseau, et avant d'utiliser l'outil, assurez-vous que les courses du chariot et de la lame ne sont pas entravées sur toute la longueur de la coupe prévue. Si la course du chariot ou de la lame est entravée au cours d'une opération de coupe, il y a risque de rebond et de grave blessure.

⚠ MISE EN GARDE : Lorsque vous effectuez une coupe en biseau, gardez les mains hors du trajet de la lame. L'angle de la lame peut induire l'opérateur en erreur quant au trajet de la lame lors de la coupe et entraîner une grave blessure au contact de la lame.

⚠ MISE EN GARDE : Vous ne devez pas relever la lame avant son arrêt complet. Au cours d'une coupe en biseau, la partie découpée de la pièce peut exercer une pression sur la lame. Si vous relevez la lame alors qu'elle tourne, la partie découpée de la pièce peut être éjectée par la lame, fragmenter le matériau et causer une grave blessure.



1. Desserrez le levier et inclinez la lame de scie pour régler l'angle de coupe en biseau (référez-vous à la section précédente intitulée « Réglage de l'angle de coupe en biseau »). Assurez-vous d'avoir resserré fermement le levier pour fixer de manière sûre l'angle de coupe en biseau sélectionné.
2. Immobilisez la pièce avec un étau.
3. Tirez complètement le chariot vers vous.
4. Mettez l'outil sous tension alors que la lame n'entre en contact avec aucune surface, et attendez qu'elle ait atteint sa pleine vitesse.
5. Abaissez doucement la poignée sur la position la plus basse tout en appliquant une pression parallèle à la lame, et **poussez le chariot vers le garde de guidage pour couper la pièce.**
6. Une fois la coupe terminée, éteignez l'outil et **attendez l'arrêt complet de la lame** avant de remettre la lame sur sa position la plus haute.

AVIS : Lorsque vous abaissez la poignée, appliquez la pression **parallèlement à la lame**. Si une force est appliquée de façon perpendiculaire au socle rotatif ou si le sens de la pression est modifié au cours d'une coupe, la précision de cette dernière en sera affectée.

Coupe mixte

La coupe mixte consiste à effectuer en même temps une coupe en biseau et une coupe d'onglet sur une pièce. La coupe mixte est possible pour les angles indiqués dans le tableau.

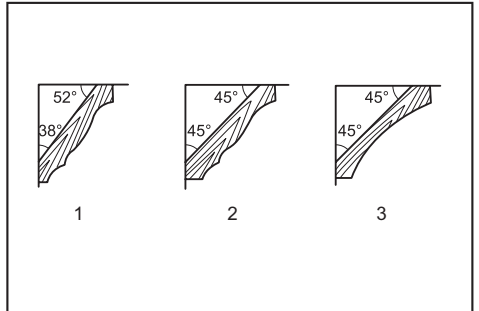
Angle de coupe d'onglet	Angle de coupe en biseau
45° à gauche et à droite	0° - 45° à gauche
50° à droite	0° - 40° à gauche
55° à droite	0° - 30° à gauche
57° à droite	0° - 25° à gauche

Pour effectuer une coupe mixte, référez-vous aux explications des sections « Coupe sous presse », « Coupe en glissière », « Coupe d'onglet » et « Coupe en biseau ».

Coupe de moulures couronnées et concaves

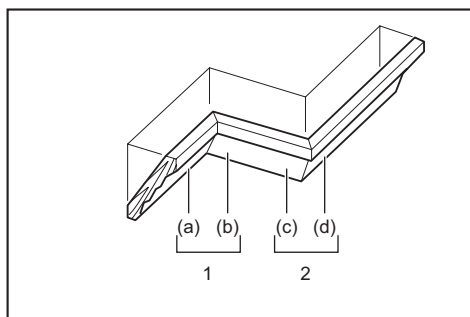
Les moulures couronnées et concaves peuvent être coupées avec une scie radiale, en les déposant à plat sur le socle rotatif.

Il existe deux types communs de moulures couronnées et un type de moulure concave, à savoir : les moulures couronnées pour angles de murs respectifs de 52/38° et 45°, et les moulures concaves pour angle de mur de 45°.

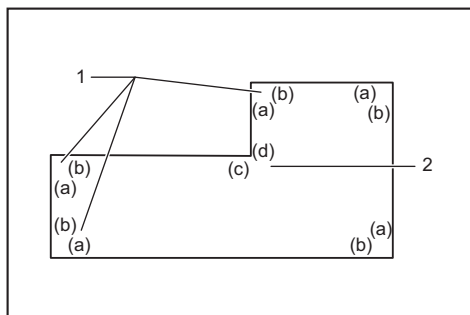


1. Moulure couronnée de type 52/38°
2. Moulure couronnée de type 45°
3. Moulure concave de type 45°

Il existe des joints de moulures couronnées et concaves qui s'adaptent aux coins « intérieurs » de 90° ((a) et (b) sur l'illustration) et aux coins « extérieurs » de 90° ((c) et (d) sur l'illustration).



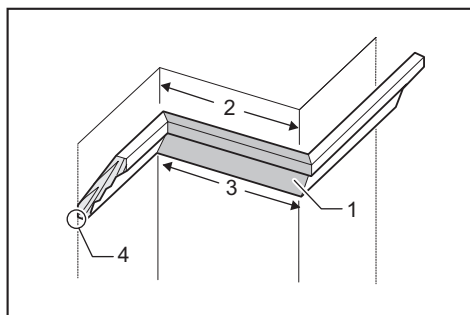
1. Coin intérieur 2. Coin extérieur



1. Coin intérieur 2. Coin extérieur

Mesure

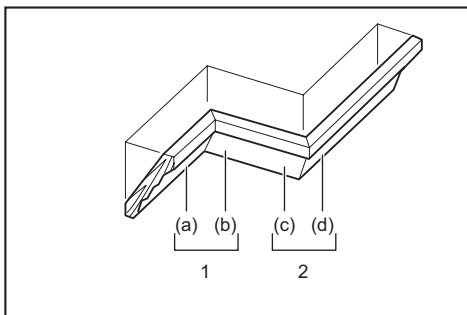
Mesurez la largeur du mur, et ajustez en conséquence la largeur de la pièce. Assurez-vous toujours que la largeur du bord de la pièce en contact avec le mur est identique à la longueur du mur.



1. Pièce à travailler 2. Largeur du mur
3. Largeur de la pièce 4. Bord en contact avec le mur

Vérifiez toujours les angles de coupe de la scie en effectuant des essais sur quelques morceaux. Lorsque vous coupez des moulures couronnées et concaves, réglez l'angle de coupe en biseau et l'angle de coupe d'onglet tel qu'indiqué dans le tableau (A) et placez les moulures sur la face supérieure du socle de la scie, tel qu'indiqué dans le tableau (B).

Dans le cas d'une coupe en biseau sur la gauche



1. Coin intérieur 2. Coin extérieur

Tableau (A)

-	Position de la moulure sur l'illustration	Angle de coupe en biseau		Angle de coupe d'onglet	
		Type 52/38°	Type 45°	Type 52/38°	Type 45°
Pour coin intérieur	(a)	33,9° à gauche	30° à gauche	31,6° à droite	35,3° à droite
	(b)			31,6° à gauche	35,3° à gauche
Pour coin extérieur	(c)			31,6° à droite	35,3° à droite
	(d)				

Tableau (B)

-	Position de la moulure sur l'illustration	Bord de la moulure contre le garde de guidage	Pièce terminée
Pour coin intérieur	(a)	Le bord de contact avec le plafond doit être contre le garde de guidage.	La pièce terminée sera du côté gauche de la lame.
	(b)	Le bord de contact avec le mur doit être contre le garde de guidage.	
Pour coin extérieur	(c)	Le bord de contact avec le mur doit être contre le garde de guidage.	La pièce terminée sera du côté droit de la lame.
	(d)	Le bord de contact avec le plafond doit être contre le garde de guidage.	

Exemple :

Dans le cas de la coupe d'une moulure couronnée de type 52/38° pour la position (a) de l'illustration ci-dessus :

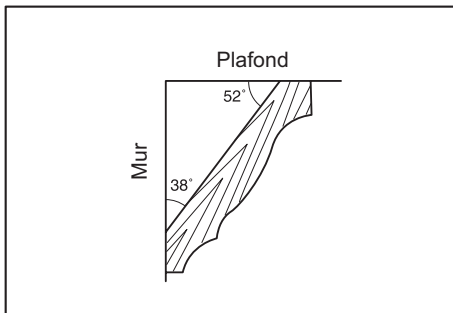
- Inclinez l'angle de coupe en biseau et immobilisez-le sur 33,9° vers la GAUCHE.
- Réglez l'angle de coupe d'onglet et immobilisez-le sur 31,6° vers la DROITE.
- Déposez sur le socle rotatif la moulure couronnée,

face arrière large (cachée) orientée vers le bas, et en plaçant le BORD DE CONTACT AVEC LE PLAFOND contre le garde de guidage de la scie.

• La pièce terminée à utiliser doit toujours être du côté GAUCHE de la lame une fois la coupe terminée.

Scie radiale

Réglages d'angles combinés de coupe d'onglet et de coupe en biseau



Angle de la moulure couronnée par rapport au mur : 52/38 degrés

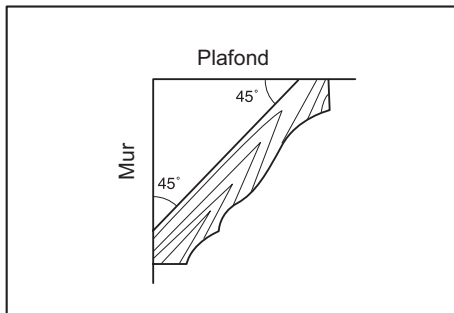
Angle mural (deg.)	Angle de coupe en biseau (deg.)	Angle de coupe d'onglet (deg.)
60	43,0	46,8
61	42,8	46,3
62	42,5	45,7
63	42,2	45,1
64	41,9	44,6
65	41,7	44,0
66	41,4	43,5
67	41,1	42,9
68	40,8	42,4
69	40,5	41,9
70	40,2	41,3
71	39,9	40,8
72	39,6	40,3
73	39,3	39,8
74	39,0	39,2
75	38,7	38,7
76	38,4	38,2
77	38,1	37,7
78	37,8	37,2
79	37,4	36,8
80	37,1	36,3
81	36,8	35,8
82	36,5	35,3
83	36,2	34,8
84	35,8	34,4
85	35,5	33,9
86	35,2	33,4
87	34,9	33,0
88	34,5	32,5
89	34,2	32,1
90	33,9	31,6
91	33,5	31,2
92	33,2	30,7
93	32,8	30,3
94	32,5	29,9
95	32,2	29,4
96	31,8	29,0
97	31,5	28,6
98	31,1	28,2
99	30,8	27,7
100	30,4	27,3

Angle mural (deg.)	Angle de coupe en biseau (deg.)	Angle de coupe d'onglet (deg.)
101	30,1	26,9
102	29,7	26,5
103	29,4	26,1
104	29,0	25,7
105	28,7	25,3
106	28,3	24,9
107	28,0	24,5
108	27,6	24,1
109	27,2	23,7
110	26,9	23,3
111	26,5	22,9
112	26,1	22,6
113	25,8	22,2
114	25,4	21,8
115	25,0	21,4
116	24,7	21,0
117	24,3	20,7
118	23,9	20,3
119	23,6	19,9
120	23,2	19,6
121	22,8	19,2
122	22,5	18,8
123	22,1	18,5
124	21,7	18,1
125	21,3	17,8
126	21,0	17,4
127	20,6	17,1
128	20,2	16,7
129	19,8	16,4
130	19,5	16,0
131	19,1	15,7
132	18,7	15,3
133	18,3	15,0
134	17,9	14,6
135	17,6	14,3
136	17,2	14,0
137	16,8	13,6
138	16,4	13,3
139	16,0	13,0
140	15,6	12,8

Angle mural (deg.)	Angle de coupe en biseau (deg.)	Angle de coupe d'onglet (deg.)
141	15,3	12,3
142	14,9	12,0
143	14,5	11,6
144	14,1	11,3
145	13,7	11,0
146	13,3	10,7
147	12,9	10,3
148	12,5	10,0
149	12,2	9,7
150	11,8	9,4
151	11,4	9,0
152	11,0	8,7
153	10,8	8,4
154	10,2	8,1
155	9,8	7,8
156	9,4	7,5
157	9,0	7,1
158	8,6	6,8
159	8,3	6,5
160	7,9	6,2
161	7,5	5,9
162	7,1	5,6
163	6,7	5,3
164	6,3	4,9
165	5,9	4,6
166	5,5	4,3
167	5,1	4,0
168	4,7	3,7
169	4,3	3,4
170	3,9	3,1
171	3,5	2,8
172	3,2	2,5
173	2,8	2,2
174	2,4	1,8
175	2,0	1,5
176	1,6	1,2
177	1,2	0,9
178	0,8	0,6
179	0,4	0,3
180	0,0	0,0

Scie radiale

Réglages d'angles combinés de coupe d'onglet et de coupe en biseau



Angle de la moulure couronnée par rapport au mur : 45 degrés

Angle mural (deg.)	Angle de coupe en biseau (deg.)	Angle de coupe d'onglet (deg.)
60	37,8	50,8
61	37,5	50,2
62	37,3	49,6
63	37,1	49,1
64	36,8	48,5
65	36,6	48,0
66	36,4	47,4
67	36,1	46,9
68	35,9	46,4
69	35,6	45,8
70	35,4	45,3
71	35,1	44,8
72	34,9	44,2
73	34,6	43,7
74	34,4	43,2
75	34,1	42,7
76	33,9	42,1
77	33,6	41,6
78	33,3	41,1
79	33,1	40,6
80	32,8	40,1
81	32,5	39,6
82	32,3	39,1
83	32,0	38,6
84	31,7	38,1
85	31,4	37,7
86	31,1	37,2
87	30,9	36,7
88	30,6	36,2
89	30,3	35,7
90	30,0	35,3
91	29,7	34,8
92	29,4	34,3
93	29,1	33,9
94	28,8	33,4
95	28,5	32,9
96	28,2	32,5
97	27,9	32,0
98	27,6	31,6
99	27,3	31,1
100	27,0	30,7

Angle mural (deg.)	Angle de coupe en biseau (deg.)	Angle de coupe d'onglet (deg.)
101	26,7	30,2
102	26,4	29,8
103	26,1	29,4
104	25,8	28,9
105	25,5	28,5
106	25,2	28,1
107	24,9	27,6
108	24,6	27,2
109	24,2	26,8
110	23,9	26,3
111	23,6	25,9
112	23,3	25,5
113	23,0	25,1
114	22,7	24,7
115	22,3	24,3
116	22,0	23,8
117	21,7	23,4
118	21,4	23,0
119	21,0	22,6
120	20,7	22,2
121	20,4	21,8
122	20,0	21,4
123	19,7	21,0
124	19,4	20,6
125	19,1	20,2
126	18,7	19,8
127	18,4	19,4
128	18,1	19,0
129	17,7	18,6
130	17,4	18,2
131	17,1	17,9
132	16,7	17,5
133	16,4	17,1
134	16,0	16,7
135	15,7	16,3
136	15,4	15,9
137	15,0	15,6
138	14,7	15,2
139	14,3	14,8
140	14,0	14,4

Angle mural (deg.)	Angle de coupe en biseau (deg.)	Angle de coupe d'onglet (deg.)
141	13,7	14,1
142	13,3	13,7
143	13,0	13,3
144	12,6	12,9
145	12,3	12,6
146	11,9	12,2
147	11,6	11,8
148	11,2	11,5
149	10,9	11,1
150	10,5	10,7
151	10,2	10,4
152	9,8	10,0
153	9,5	9,6
154	9,2	9,3
155	8,8	8,9
156	8,5	8,5
157	8,1	8,2
158	7,8	7,8
159	7,4	7,5
160	7,1	7,1
161	6,7	6,7
162	6,4	6,4
163	6,0	6,0
164	5,6	5,7
165	5,3	5,3
166	4,9	5,0
167	4,6	4,6
168	4,2	4,3
169	3,9	3,9
170	3,5	3,5
171	3,2	3,2
172	2,8	2,8
173	2,5	2,5
174	2,1	2,1
175	1,8	1,8
176	1,4	1,4
177	1,1	1,1
178	0,7	0,7
179	0,4	0,4
180	0,0	0,0

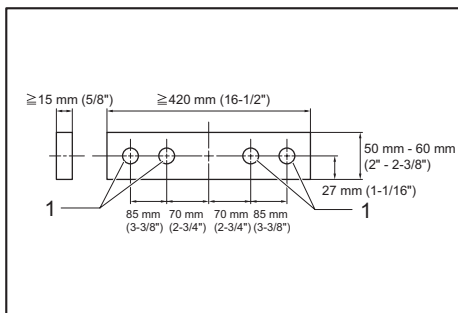
Parement de bois

MISE EN GARDE : Utilisez les vis pour fixer le parement de bois au garde de guidage. Les vis doivent être posées de sorte que les têtes de vis se trouvent sous la surface du parement de bois afin de ne pas entraver le placement du matériau à couper. Un mauvais alignement du matériau peut provoquer un mouvement inattendu lors de la coupe, lequel peut entraîner une perte de contrôle et une grave blessure.

ATTENTION : Utilisez une planche de bois de la même épaisseur que le parement de bois.

L'utilisation d'un parement de bois favorise l'obtention de pièces coupées sans fente. Fixez un parement de bois au garde de guidage en utilisant les orifices de ce dernier.

Voilà l'illustration des dimensions suggérées pour le parement de bois.

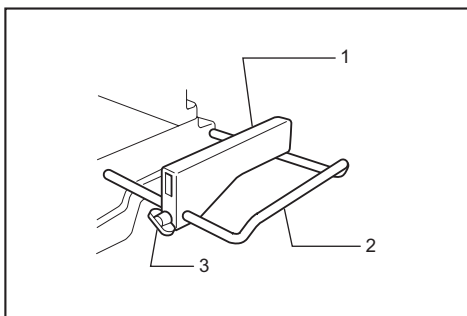


1. Orifices

AVIS : Lorsqu'un parement de bois est fixé, ne tournez pas le socle rotatif alors que la poignée est abaissée. La lame et/ou le parement de bois seront endommagés.

Coupes répétées de longueur identique

Lorsque vous coupez plusieurs pièces d'une même longueur à l'intérieur d'une plage de 220 mm (8-5/8") à 385 mm (15-1/8"), utilisez la plaque de fixation (accessoire en option). Installez la plaque de fixation sur le support (accessoire en option) de la façon indiquée sur l'illustration.



1. Plaque de fixation 2. Support 3. Vis

Alignez la ligne de coupe tracée sur la pièce avec le côté gauche ou droit de la rainure du plateau de découpe, et, tout en retenant la pièce, déplacez la plaque de fixation pour qu'elle s'aligne parfaitement sur l'extrémité de la pièce. Immobilisez ensuite la plaque de fixation avec la vis.

Lorsque vous n'utilisez pas la plaque de fixation, desserrez la vis et dégagez la plaque en la tournant.

NOTE : L'utilisation de l'ensemble de butées et tiges (accessoire en option) permet des coupes répétées d'une longueur identique pouvant aller jusqu'à 2 200 mm (7,2ft) approximativement.

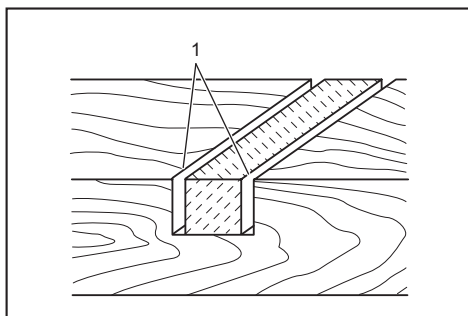
Rainurage

MISE EN GARDE : N'essayez pas d'effectuer ce type de coupe au moyen d'une lame plus large ou d'une lame à rainurer. Si vous tentez de rainurer avec une lame plus large ou une lame à rainurer, les résultats de la coupe ne peuvent être garantis, et vous risquez de provoquer un rebond et de subir une grave blessure.

MISE EN GARDE : Assurez-vous d'avoir remis le bras de blocage sur sa position initiale avant d'effectuer un autre type de coupe que le rainurage. Si vous tentez de faire une coupe alors que le bras de blocage n'est pas dans la bonne position, les résultats de la coupe ne peuvent être garantis, et vous risquez de provoquer un rebond et de subir une grave blessure.

Pour rainurer, procédez comme suit :

1. Ajustez la position limite inférieure de la lame au moyen de la vis de réglage et du bras de blocage pour limiter la profondeur de coupe de la lame. Référez-vous à la section « Bras de blocage » ci-dessus.
2. Après le réglage de la limite inférieure de la lame, pratiquez des rainures parallèles sur la largeur de la pièce, en procédant par coupe en glissière (poussée).



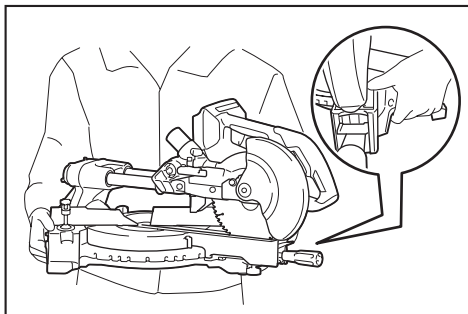
1. Rainures pratiquées avec la lame

- Retirez le matériau resté entre les rainures de la pièce, au moyen d'un ciseau.

Transport de l'outil

MISE EN GARDE : La broche de blocage est conçue pour le transport et le rangement de l'outil, jamais pour les travaux de coupe. L'utilisation de la broche de blocage pour les travaux de coupe peut causer un mouvement inattendu de la lame de scie résultant en un rebond et une grave blessure.

ATTENTION : Fixez toujours les composants mobiles de l'outil avant de le transporter. Si des composants de l'outil bougent ou glissent lors de son transport, vous risquez de perdre le contrôle ou l'équilibre, et de vous blesser.



- Retirez la batterie.
- Fixez la lame à un angle de coupe en biseau de 0° et le socle rotatif sur la position d'angle d'onglet complètement à droite.
- Fixez les tiges de glissement de sorte que la tige de glissement inférieure soit verrouillée dans la position où le chariot est complètement ramené vers l'utilisateur, et que les tiges de glissement supérieures soient verrouillées dans la position où le chariot est complètement poussé vers le garde de guidage.
- Abaissez complètement la poignée et verrouillez-la en position inférieure en enfonçant la broche de blocage.
- Tenez l'outil par les deux côtés de son socle pour le transporter. L'outil sera plus facile à transporter si vous retirez les supports, le sac à poussières, etc.

ENTRETIEN

MISE EN GARDE : Assurez-vous toujours que la lame est bien affûtée et propre pour qu'elle coupe de manière sûre et optimale. Si vous essayez de couper avec une lame émoussée et/ou sale, il y a risque de rebond et de grave blessure.

ATTENTION : Assurez-vous toujours que l'outil est hors tension et que la batterie est retirée avant d'y effectuer tout travail d'inspection ou d'entretien.

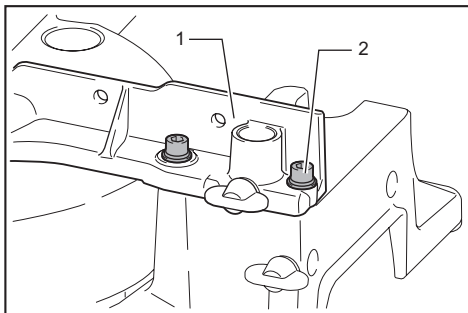
AVIS : N'utilisez jamais d'essence, de benzine, de solvant, d'alcool ou autres produits similaires. Une décoloration, une déformation ou la formation de fissures peuvent en découler.

Réglage de l'angle de coupe

L'outil est soigneusement réglé et aligné en usine, mais cet alignement peut être éventuellement affecté s'il est manipulé avec brutalité. Si l'outil n'est pas bien aligné, suivez la procédure suivante :

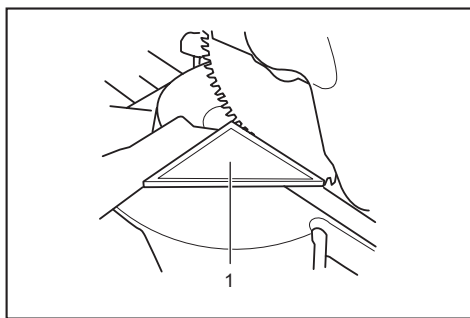
Angle de coupe d'onglet

- Poussez le chariot vers le garde de guidage, puis serrez les deux vis de serrage pour fixer le chariot.
- Tournez le socle rotatif jusqu'à ce que le pointeur indique 0° sur l'échelle de coupe d'onglet.
- Tournez le socle rotatif légèrement dans le sens des aiguilles d'une montre et dans le sens contraire pour assier le socle rotatif dans l'encoche d'onglet de 0°. (Laissez-le tel quel si le pointeur n'indique pas 0°.)
- À l'aide de la clé hexagonale, desserrez le boulon hexagonal qui immobilise le garde de guidage.



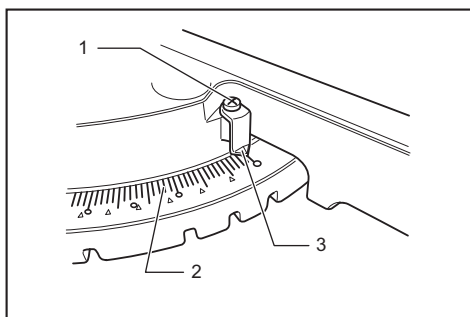
1. Garde de guidage 2. Boulon hexagonal

- Abaissez complètement la poignée et verrouillez-la en position inférieure en enfonçant la broche de blocage.
- À l'aide d'un instrument tel qu'une règle triangulaire ou une équerre de menuisier, ajustez le garde de guidage jusqu'à ce qu'il soit sur un angle perpendiculaire à la lame. Serrez ensuite fermement les boulons hexagonaux du garde de guidage, en commençant par le côté droit.



1. Règle triangulaire

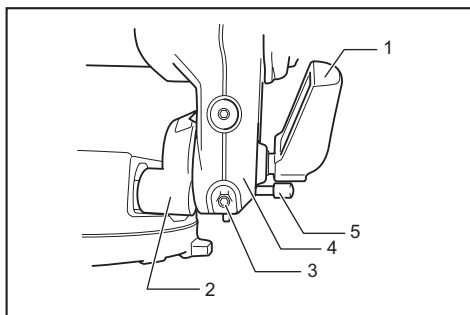
7. Assurez-vous que le pointeur indique 0° sur l'échelle de coupe d'onglet. Si le pointeur n'indique pas 0°, desserrez la vis qui retient le pointeur et réglez le pointeur de sorte qu'il indique 0°.



1. Vis 2. Échelle de coupe d'onglet 3. Pointeur

Angle de coupe en biseau

Angle de coupe en biseau 0°



1. Levier 2. Support du bras 3. Boulon de réglage de l'angle de coupe en biseau 0° 4. Bras 5. Bouton de libération

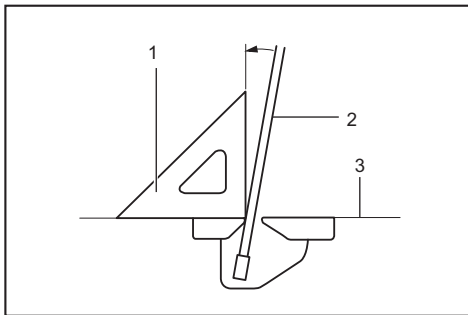
1. Poussez le chariot vers le garde de guidage, puis serrez les deux vis de serrage pour fixer le chariot.

2. Descendez complètement la poignée et verrouillez-la en position abaissée en enfonçant le broche de blocage.

3. Desserrez le levier à l'arrière de l'outil.

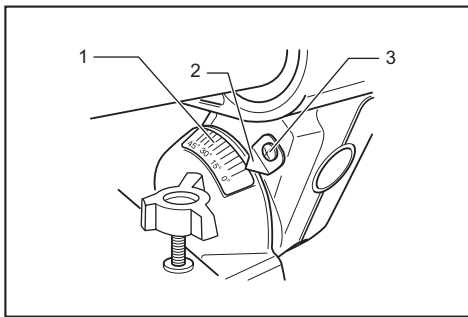
4. Pour incliner la lame vers la droite, tournez de deux ou trois tours en sens contraire des aiguilles d'une montre le boulon de réglage de l'angle de coupe en biseau 0° (boulon inférieur) du côté droit du bras.

5. Tournez doucement le boulon de réglage de l'angle de coupe en biseau 0° dans le sens des aiguilles d'une montre jusqu'à ce que le côté de la lame forme un angle perpendiculaire à la face supérieure du socle rotatif. Guidez-vous sur un instrument tel qu'une règle triangulaire ou une règle de menuisier. Serrez ensuite le levier fermement.



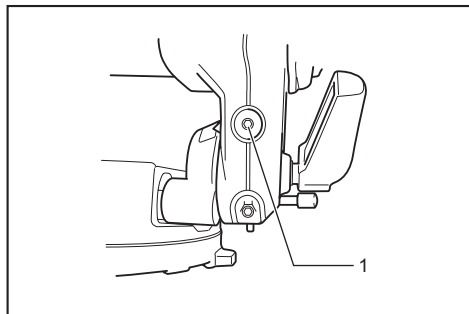
1. Règle triangulaire 2. Lame de scie 3. Face supérieure du socle rotatif

6. Assurez-vous que le pointeur du bras indique 0° sur l'échelle de coupe en biseau. S'il n'indique pas 0°, desserrez la vis qui retient le pointeur et réglez le pointeur de sorte qu'il indique 0°.



1. Échelle de coupe en biseau 2. Pointeur 3. Vis

Angle de coupe en biseau 45°



1. Boulon de réglage de l'angle de coupe en biseau 45° vers la gauche

N'ajustez l'angle de coupe en biseau 45° qu'après avoir ajusté l'angle de coupe en biseau 0°.

1. Desserrez le levier et inclinez la lame complètement vers la gauche.
2. Assurez-vous que le pointeur du bras indique 45° sur l'échelle de coupe en biseau. Si le pointeur n'indique pas 45°, tournez le boulon de réglage de l'angle de coupe en biseau 45° (boulon supérieur) du côté droit du bras jusqu'à ce que le pointeur indique 45°.

Après l'utilisation

Après l'utilisation, essuyez les copeaux et poussières qui adhèrent à l'outil, au moyen d'un linge ou d'un objet similaire. Maintenez le protège-lame propre en respectant les instructions de la section précédente intitulée « Protège-lame ». Pour prévenir la rouille, lubrifiez les pièces coulissantes avec de l'huile pour machine.

Lorsque vous rangez l'outil, tirez complètement le chariot vers vous de sorte que la tige de glissement soit parfaitement insérée dans le socle rotatif.

Pour maintenir la SÉCURITÉ et la FIABILITÉ du produit, les réparations et tout autre travail d'entretien ou de réglage doivent être effectués dans un centre de service après-vente autorisé ou une usine Makita, exclusivement avec des pièces de rechange Makita.

ACCESSOIRES EN OPTION

⚠ MISE EN GARDE : Ces accessoires ou pièces complémentaires Makita sont recommandés pour l'utilisation avec l'outil Makita spécifié dans ce manuel. L'utilisation de tout autre accessoire ou pièce complémentaire peut entraîner une grave blessure.

⚠ MISE EN GARDE : N'utilisez les accessoires ou pièces complémentaires Makita qu'aux fins auxquelles ils ont été conçus. L'utilisation inadéquate d'un accessoire ou d'une pièce complémentaire peut entraîner une grave blessure.

Si vous désirez obtenir plus de détails sur ces accessoires, veuillez contacter le centre de service après-vente Makita le plus près.

- Lames de scie à dents de carbure de tungstène
- Ensemble d'étau (étau horizontal)
- Étau vertical
- Ensemble de support
- Ensemble de butées et tiges
- Plaque de fixation
- Sac à poussières
- Règle triangulaire
- Clé hexagonale
- Chargeur et batterie authentiques Makita

NOTE : Certains éléments de la liste peuvent être inclus avec l'outil comme accessoires standards. Ils peuvent varier suivant les pays.

GARANTIE LIMITÉE D'UN AN DE MAKITA

Politique de garantie

Tous les outils Makita sont soigneusement inspectés et mis à l'essai avant de quitter l'usine. Ils sont garantis contre les vices de fabrication et de matériau pour une période d'UN AN suivant la date de l'achat original. Si un problème survient pendant cette période d'un an, retournez l'outil COMPLET, fret payé d'avance, à une usine ou un centre de service après-vente autorisé Makita. S'il ressort de l'inspection que le problème est dû à un vice de fabrication ou de matériau, Makita réparera (ou remplacera, à son gré) l'outil gratuitement. Cette garantie ne s'applique pas dans les cas où :

- des réparations ont été effectuées ou tentées par un tiers;
- des réparations sont nécessaires en raison de l'usure normale;
- l'outil a été malmené, mal utilisé ou non adéquatement entretenu;
- l'outil a subi des modifications.

MAKITA NE SERA EN AUCUN CAS RESPONSABLE DE TOUS DOMMAGES INDIRECTES, ACCESSOIRES OU CONSÉCUTIFS DE LA VENTE OU DE L'UTILISATION DU PRODUIT. CET AVIS DE NON-RESPONSABILITÉ S'APPLIQUE PENDANT ET APRÈS LA PÉRIODE COUVERTE PAR CETTE GARANTIE.

MAKITA DÉCLINE TOUTE RESPONSABILITÉ QUANT À TOUTES GARANTIES IMPLICITES, Y COMPRIS LES GARANTIES DE « QUALITÉ MARCHANDE » OU D'« ADAPTATION À UN USAGE PARTICULIER » APRÈS LA PÉRIODE DE GARANTIE D'UN AN.

Cette garantie vous donne des droits légaux spécifiques, et vous pouvez également avoir d'autres droits qui varient d'une province à l'autre. Certaines provinces n'autorisant pas l'exclusion ou la restriction des dommages accessoires ou consécutifs, il se peut que la restriction ou l'exclusion ci-dessus ne s'applique pas à vous. Certaines provinces n'autorisant pas de restriction quant à la durée des garanties implicites, il se peut que la restriction ci-dessus ne s'applique pas à vous.

ESPECIFICACIONES

Modelo:	XSL02	
Diámetro del disco	190 mm (7-1/2")	
Diámetro del orificio (eje)	15,88 mm (5/8")	
Ángulo de inglete máximo	Izquierda 47°, Derecha 57°	
Ángulo de bisel máximo	Izquierda 45°, Derecha 5°	
Velocidad sin carga (r.p.m.)	5 700 r/min	
Dimensiones (La x An x Al)	655 mm x 430 mm x 445 mm (25-3/4" x 17" x 17-1/2")	
Tensión nominal	36 V c.c.	
Cartucho de batería estándar	BL1815N, BL1820, BL1820B	BL1830, BL1840, BL1840B, BL1850, BL1850B
Peso neto	12,6 kg (27,8 lbs)	13,1 kg (28,9 lbs)

Capacidades de corte máximas (Al x An) con disco de 190 mm (7-1/2") de diámetro

Ángulo de inglete	Ángulo de bisel		
	45° (izquierda)	0°	5° (derecha)
0°	40 mm x 300 mm (1-9/16" x 11-3/4")	52 mm x 300 mm (2-1/16" x 11-3/4")	40 mm x 300 mm (1-9/16" x 11-3/4")
	45 mm x 265 mm (1-3/4" x 10-3/8") (NOTA 1)	60 mm x 265 mm (2-3/8" x 10-3/8") (NOTA 1)	—
45° (izquierda y derecha)	40 mm x 212 mm (1-9/16" x 8-3/8")	52 mm x 212 mm (2-1/16" x 8-3/8")	—
	45 mm x 185 mm (1-3/4" x 7-1/4") (NOTA 2)	60 mm x 185 mm (2-3/8" x 7-1/4") (NOTA 2)	—
57° (derecha)	—	52 mm x 163 mm (2-1/16" x 6-3/8")	—
	—	60 mm x 145 mm (2-3/8" x 5-3/4") (NOTA 3)	—

1. Capacidad de corte máxima al usar un elemento auxiliar de madera con un grosor de 20 mm (13/16")
 2. Capacidad de corte máxima al usar un elemento auxiliar de madera con un grosor de 15 mm (9/16")
 3. Capacidad de corte máxima al usar un elemento auxiliar de madera con un grosor de 10 mm (3/8")
- Debido a nuestro continuo programa de investigación y desarrollo, las especificaciones aquí incluidas están sujetas a cambio sin previo aviso.
 - Las especificaciones y el cartucho de batería pueden variar de país a país.
 - Peso de acuerdo al procedimiento de EPTA-01/2003 incluyendo el cartucho de batería

Por su propia seguridad lea el manual de instrucciones Antes de utilizar la herramienta Conserve las instrucciones para referencia en el futuro

Precauciones de seguridad generales (para todas las herramientas)

1. **CONOZCA SU HERRAMIENTA ELÉCTRICA.** Lea el manual del usuario atentamente. Conozca las aplicaciones y limitaciones de la herramienta, así como los riesgos potenciales específicos propios de la misma.

2. **NO quite los protectores** y manténgalos en buen estado de funcionamiento.
3. **RETIRE LAS LLAVES DE AJUSTE Y DE APRIETE.** Adquiera el hábito de comprobar y ver que las llaves de ajuste y de apriete hayan sido retiradas de la herramienta antes de ponerla en marcha.
4. **MANTENGA EL ÁREA DE TRABAJO LIMPIA.** Las áreas y bancos de trabajo desordenados pueden ocasionar accidentes.
5. **NO LAS UTILICE EN ENTORNOS PELIGROSOS.** No utilice las herramientas eléctricas en lugares húmedos o mojados, ni las exponga a la lluvia. Mantenga el área de trabajo bien iluminada. No utilice la herramienta en presencia de líquidos o gases inflamables.
6. **MANTENGA ALEJADOS A LOS NIÑOS.** Todos

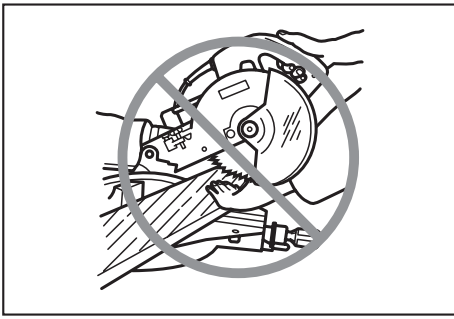
- los visitantes deberán ser mantenidos a una distancia segura del área de trabajo.
7. **MANTENGA EL TALLER A PRUEBA DE NIÑOS** con candados, interruptores maestros, o quitando las llaves de encendido.
 8. **NO FUERCE LA HERRAMIENTA.** La herramienta realizará la tarea mejor y de forma más segura a la potencia para la que ha sido diseñada.
 9. **UTILICE LA HERRAMIENTA APROPIADA.** No fuerce la herramienta ni los accesorios para que realicen un trabajo para el que no han sido diseñados.
 10. **PÓNGASE INDUMENTARIA APROPIADA.** No se ponga ropa holgada, guantes, corbata, anillos, pulseras, ni otro tipo de alhajas que puedan engancharse en las partes móviles. Se recomienda utilizar calzado antiderrapante. Lleve protección en el cabello para cubrirlo en caso de tenerlo largo.
 11. **UTILICE SIEMPRE GAFAS DE SEGURIDAD.** Utilice también careta contra el polvo si la operación de corte es polvorienta. Las anteojos de uso diario para la vista sólo tienen lentes resistentes a impactos, NO son gafas de seguridad.
 12. **SUJETE LA PIEZA DE TRABAJO.** Utilice mordazas o una prensa para sujetar la pieza de trabajo cuando resulte práctico. Es más seguro que utilizar la mano y además dispondrá de ambas manos para manejar la herramienta.
 13. **NO UTILICE LA HERRAMIENTA DONDE NO ALCANCE.** Mantenga los pies sobre suelo firme y el equilibrio en todo momento.
 14. **DÉ MANTENIMIENTO A SUS HERRAMIENTAS.** Mantenga las herramientas afiladas y limpias para un mejor y más seguro desempeño. Siga las instrucciones para lubricarlas y cambiar los accesorios.
 15. **DESCONECTE LA BATERÍA DE LA HERRAMIENTA** antes de hacer servicio de mantenimiento, como al cambiar accesorios tales como discos, brocas y cuchillas, entre otros.
 16. **REDUZCA EL RIESGO DE ENCENDIDO ACCIDENTAL.** Asegúrese de que el interruptor esté en la posición de apagado antes de insertar la batería.
 17. **UTILICE ACCESORIOS RECOMENDADOS.** Consulte el manual del usuario para ver los accesorios recomendados. El uso de accesorios no apropiados podría ocasionar riesgo de lesiones personales.
 18. **NO SE PARE NUNCA ENCIMA DE LA HERRAMIENTA.** El volcar la herramienta o tocar accidentalmente la herramienta de corte podría ocasionar lesiones graves.
 19. **INSPECCIONE LAS PIEZAS DAÑADAS.** Si un protector u otra pieza están dañados, antes de seguir utilizando la herramienta deberá revisarlos cuidadosamente para cerciorarse de que van a funcionar correctamente y realizar el trabajo para el que fueron diseñados - verifique la alineación de las piezas móviles, la sujeción de las piezas móviles, que no haya piezas rotas, el montaje y cualquier otra condición que pueda afectar su operación. Cualquier protector o pieza dañada deberá repararse debidamente o reemplazarse.
 20. **DIRECCIÓN DE AVANCE.** Avance la pieza de trabajo hacia el disco o cuchilla solamente en sentido contrario a la dirección de rotación de los mismos.
 21. **NUNCA DEJE LA HERRAMIENTA DESATENDIDA MIENTRAS ESTÉ EN MARCHA. DESCONECTE LA ALIMENTACIÓN.** No deje la herramienta hasta que se haya detenido completamente.
 22. **Asegúrese de que el interruptor se encuentre en la posición de apagado antes de insertar el cartucho de batería.** Insertar un cartucho de batería en herramientas eléctricas con el interruptor encendido puede ocasionar accidentes.
 23. **Recargue sólo con el cargador especificado por el fabricante.** Un cargador adecuado para un tipo de cartucho de batería específico puede ocasionar riesgo de incendio al usarse con otro cartucho de batería.
 24. **Use las herramientas eléctricas sólo con sus cartuchos de batería designados.** El uso de cualquier otro cartucho de batería puede ocasionar riesgo de lesión e incendio.
 25. **Cuando no se esté usando el cartucho de batería, manténgalo alejado de otros objetos metálicos, como sujetapapeles (clips), monedas, llaves, clavos, tornillos u otros objetos pequeños de metal que puedan crear una conexión entre las terminales.** Ocasionar un cortocircuito en las terminales de la batería puede provocar quemaduras o incendios.
 26. **En condiciones de abuso, podría expulsarse líquido de la batería; evite el contacto. Si lo toca accidentalmente, enjuague con agua. En caso de contacto del líquido con los ojos, busque además atención médica.** El líquido expulsado de la batería puede causar irritación o quemaduras.
 27. **Desconecte el cartucho de batería de la herramienta o coloque el interruptor en la posición de bloqueo o de apagado antes de realizar cualquier ajuste, cambiar accesorios o almacenar la herramienta.** Tales medidas de seguridad preventivas reducirán el riesgo de poner en marcha la herramienta de forma accidental.
 28. **Haga que una persona calificada repare la herramienta utilizando sólo piezas de repuesto idénticas.** Esto garantizará que se mantenga la seguridad de la herramienta eléctrica.

Normas de seguridad adicionales

NO deje que la comodidad o familiaridad con el producto (a base de utilizarlo repetidamente) sustituya la estricta observancia de las normas de seguridad para la sierra de inglete telescópica. El no utilizar esta herramienta de forma segura o correcta podría ocasionarle lesiones graves.

1. Utilice protección para los ojos.
2. Mantenga las manos alejadas de la trayectoria del disco de la sierra. Evite el contacto con

- cualquier disco que esté girando. Aún puede ocasionarle heridas graves.
3. No utilice la sierra sin los protectores puestos. Verifique que el protector del disco cierre debidamente antes de cada uso. No utilice la sierra si el protector del disco no se mueve libremente y se cierra instantáneamente. No sujete ni ate el protector del disco en la posición abierta.
 4. No realice ninguna operación directamente con la mano. La pieza de trabajo deberá estar firmemente sujeta contra la base giratoria y la guía lateral con una prensa durante todas las operaciones. No utilice nunca la mano para sujetar la pieza de trabajo.
 5. Nunca acerque las manos alrededor del disco de la sierra.
 6. Apague la herramienta y espere hasta que el disco de la sierra se detenga antes de mover la pieza de trabajo o cambiar los ajustes.
 7. Retire la batería de la herramienta antes de reemplazar el disco o dar servicio de mantenimiento.
 8. Para reducir el riesgo de lesiones, vuelva a poner el carro en la posición completamente hacia atrás después de cada operación de corte transversal.
 9. Asegure siempre las partes móviles antes de cargar la herramienta.
 10. La clavija de retención que bloquea el cabezal de corte en posición hacia abajo es solamente para transportar y almacenar la herramienta y no para ninguna operación de corte.
 11. Tenga presente que esta herramienta está siempre en condición de operación, porque no tiene que ser enchufada a una toma de corriente.
 12. No utilice la herramienta en presencia de líquidos o gases inflamables. La operación de la herramienta eléctrica podría generar una explosión causando un incendio al estar expuesta a líquidos o gases inflamables.
 13. Inspeccione el disco cuidadosamente para ver si tiene grietas o daños antes de comenzar la operación. Reemplace el disco inmediatamente si está agrietado o dañado. El pegamento y la resina de madera endurecidas en los discos frenan la sierra y aumentan las posibilidades de que se produzcan retrocesos bruscos. Mantenga el disco limpio desmontándolo primero de la herramienta, y limpiándolo después con un producto para quitar pegamento y resina, agua caliente o queroseno. Nunca utilice gasolina para limpiar el disco.
 14. Al realizar un corte por deslizamiento, puede producirse un RETROCESO BRUSCO. Los RETROCESOS BRUSCOS ocurren cuando el disco se traba en la pieza de trabajo durante una operación de corte y es impulsado rápidamente hacia el operador. El resultado puede ser la pérdida de control y lesiones graves. Si el disco comienza a trabarse durante una operación de corte, no continúe cortando y suelte el interruptor inmediatamente.
 15. Utilice solamente las bridas especificadas para esta herramienta.
 16. Tenga cuidado de no dañar el eje, las bridas (especialmente la superficie de instalación) ni el perno. Los daños en estas piezas podrían provocar la ruptura del disco.
 17. Asegúrese de que la base giratoria esté debidamente asegurada de forma que no se mueva durante la operación. Utilice los orificios de la base para sujetar la sierra a una plataforma o banco de trabajo estable. NUNCA utilice la herramienta donde la posición del operador vaya a resultar incómoda.
 18. Para su seguridad, quite todas las astillas, piezas pequeñas, etc. de la mesa de trabajo antes de la operación.
 19. Evite cortar clavos. Inspeccione y quite todos los clavos de la pieza de trabajo antes de la operación.
 20. Asegúrese de que el bloqueo del eje esté suelto antes de activar el interruptor.
 21. Asegúrese de que el disco no esté en contacto con la base giratoria en la posición más baja.
 22. Sostenga firmemente la empuñadura. Tenga en cuenta que la sierra se mueve levemente hacia arriba o hacia abajo al iniciar y al detener el funcionamiento.
 23. Asegúrese de que el disco no esté haciendo contacto con la pieza de trabajo antes de activar el interruptor.
 24. Antes de utilizar la herramienta en una pieza de trabajo definitiva, déjela funcionar durante un rato. Observe si hay vibración o bamboleo que pueda indicar una instalación incorrecta o un desequilibrio del disco.
 25. Espere hasta que el disco alcance su velocidad completa antes de cortar.
 26. Pare la operación inmediatamente si nota algo anormal.
 27. No intente bloquear el gatillo en la posición activada (ON).
 28. Esté alerta en todo momento, especialmente durante las operaciones repetitivas y monótonas. No se deje llevar por una falsa sensación de seguridad. Los discos no perdonan nunca.
 29. Utilice los accesorios recomendados en este manual. El uso de accesorios inapropiados tales como discos abrasivos podría ocasionar lesiones.
 30. NUNCA sostenga la pieza de trabajo sobre el lado derecho del disco con la mano izquierda ni viceversa. Este procedimiento se denomina corte de brazo contrario y expone al usuario a sufrir LESIONES PERSONALES GRAVES tal como se muestra en la figura. SIEMPRE utilice una prensa para sujetar la pieza de trabajo.



31. **NUNCA** apile piezas de trabajo encima de la mesa para acelerar las operaciones de corte. Sólo corte una pieza a la vez.
32. Algunos materiales contienen sustancias químicas que pueden ser tóxicas. Tome precauciones para evitar la inhalación de polvo y el contacto con la piel. Consulte la hoja de seguridad de materiales del proveedor.

GUARDE ESTAS INSTRUCCIONES.

⚠ ADVERTENCIA: El uso incorrecto o el no seguir las normas de seguridad indicadas en este manual de instrucciones puede ocasionar lesiones personales graves.

Instrucciones importantes de seguridad para el cartucho de batería

1. Antes de utilizar el cartucho de batería, lea todas las instrucciones e indicaciones de precaución en el (1) el cargador de batería, (2) la batería, y (3) el producto con el que se utiliza la batería.
2. No desarme el cartucho de batería.
3. Si el tiempo de operación se ha acortado en exceso, deje de operar de inmediato. Podría correrse el riesgo de sobrecalentamiento, posibles quemaduras e incluso explosión.
4. En caso de que ingresen electrolitos en sus ojos, enjuáguelos bien con agua limpia y consulte de inmediato a un médico. Esto podría ocasionar pérdida de visión.
5. Evite cortocircuitar el cartucho de batería:
 - (1) No toque las terminales con ningún material conductor.
 - (2) Evite guardar el cartucho de batería en un cajón junto con otros objetos metálicos, tales como clavos, monedas, etc.
 - (3) No exponga el cartucho de batería al agua o la lluvia.Un cortocircuito en la batería puede causar un flujo grande de corriente, sobrecalentamiento, posibles quemaduras e incluso una descompostura.
6. No guarde la herramienta ni el cartucho de batería en lugares donde la temperatura pueda alcanzar o exceder los 50°C (122°F).

7. Nunca incinere el cartucho de batería incluso en el caso de que esté dañado seriamente o ya no sirva en absoluto. El cartucho de batería puede explotar si se tira al fuego.
8. Tenga cuidado de no dejar caer ni golpear la batería.
9. No use una batería dañada.
10. Siga las regulaciones locales relacionadas al desecho de las baterías.

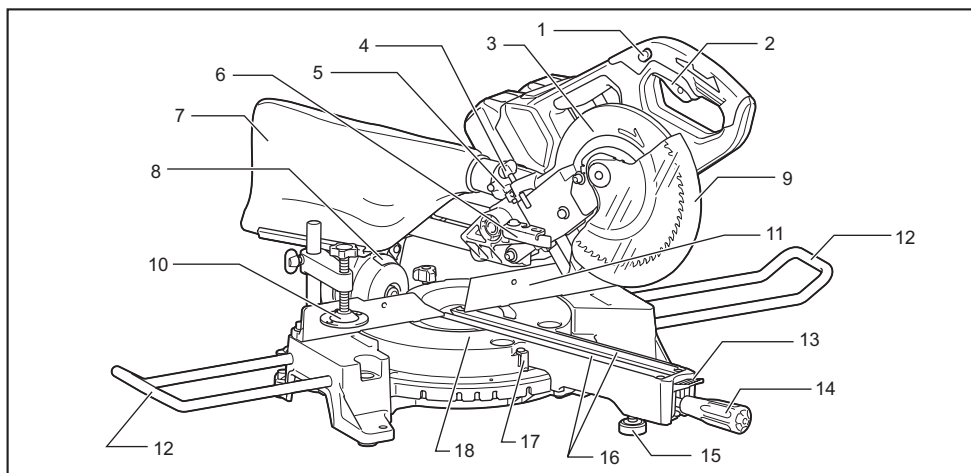
GUARDE ESTAS INSTRUCCIONES.

⚠ PRECAUCIÓN: Utilice únicamente baterías originales de Makita. El uso de baterías no originales de Makita, o de baterías alteradas, puede ocasionar que las baterías exploten causando un incendio, lesiones personales y daños. Asimismo, esto invalidará la garantía de Makita para la herramienta y el cargador Makita.

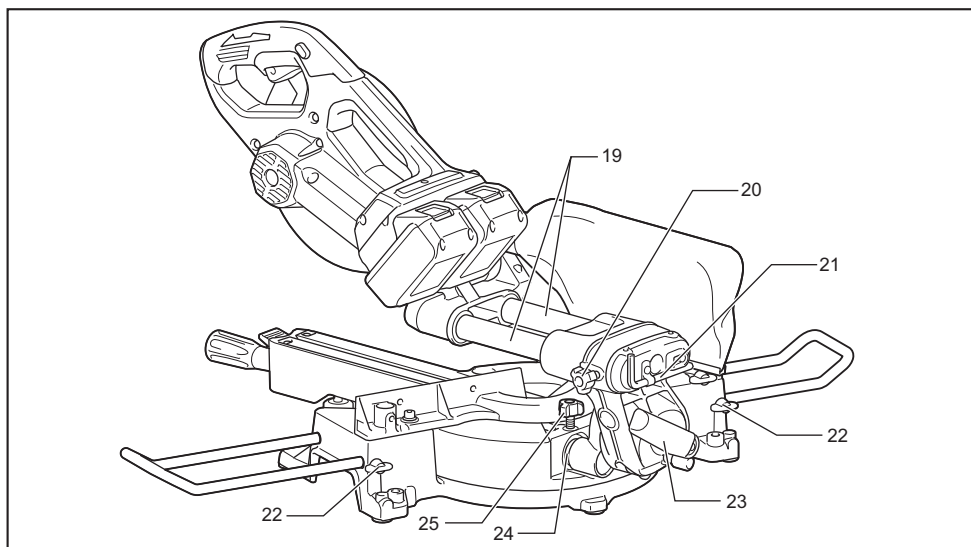
Consejos para alargar al máximo la vida útil de la batería

1. Cargue el cartucho de batería antes de que se descargue completamente. Pare siempre la operación y cargue el cartucho de batería cuando note menos potencia en la herramienta.
2. No cargue nunca un cartucho de batería que esté completamente cargado. La sobrecarga acortará la vida de servicio de la batería.
3. Cargue el cartucho de batería a una temperatura ambiente de 10 °C - 40 °C (50 °F - 104 °F). Si un cartucho de batería está caliente, déjelo enfriar antes de cargarlo.
4. Cargue el cartucho de batería si no va a utilizarlo durante un periodo prolongado (más de seis meses).

DESCRIPCIÓN DE LAS PIEZAS



1	Botón de desbloqueo	2	Gatillo interruptor	3	Caja del disco	4	Tornillo de ajuste (para la posición del límite inferior)
5	Perno de ajuste (para la máxima capacidad de corte)	6	Brazo de retención	7	Bolsa recolectora de polvo	8	Escala de bisel
9	Protector del disco	10	Prensa vertical	11	Guía lateral	12	Soporte
13	Palanca de bloqueo (para la base giratoria)	14	Perilla (para la base giratoria)	15	Perno de ajuste (para la base giratoria)	16	Panel de corte
17	Marcador (para el ángulo de inglete)	18	Base giratoria	-	-	-	-



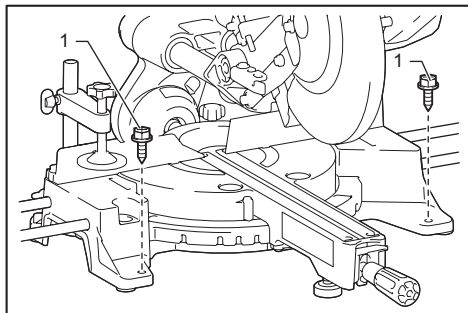
19	Soporte de corredera (superior)	20	Tornillo de mariposa (para bloquear el soporte de corredera superior)	21	Llave hexagonal	22	Tornillo de sujeción (para bloquear el soporte)
23	Palanca (para ajustar el ángulo de bisel)	24	Soporte de corredera (inferior)	25	Tornillo de mariposa (para bloquear el soporte de corredera inferior)	-	-

INSTALACIÓN

Montaje en un banco de trabajo

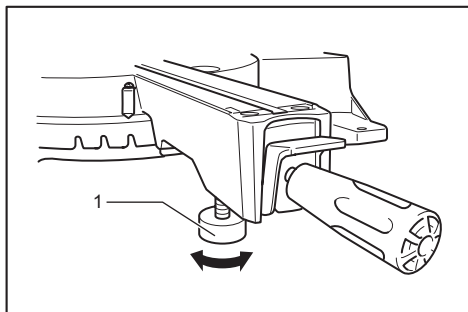
⚠ADVERTENCIA: Asegúrese de que la herramienta no se mueva sobre la superficie de apoyo. El movimiento de la sierra de inglete sobre la superficie de apoyo mientras se realiza un corte podría ocasionar la pérdida del control causando lesiones personales graves.

1. Fije la base a una superficie nivelada y estable usando dos pernos para atornillarla. Esto evitará que la herramienta se vuelque y provoque heridas.



1. Perno

2. Gire el perno de ajuste en el sentido de las manecillas del reloj o en sentido inverso de manera que haga contacto con la superficie del suelo y la herramienta se mantenga estable.



1. Perno de ajuste

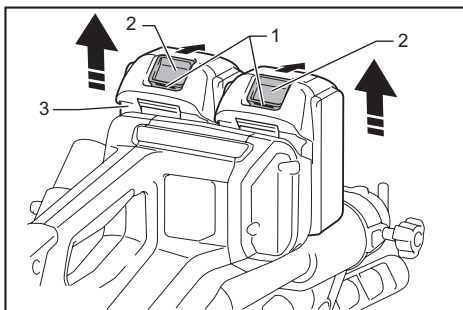
DESCRIPCIÓN DEL FUNCIONAMIENTO

⚠ADVERTENCIA: Asegúrese siempre de que la herramienta esté apagada y el cartucho de batería haya sido extraído antes de realizar cualquier ajuste o revisión del funcionamiento de la herramienta. El no apagar y extraer el cartucho de batería puede provocar lesiones personales graves a causa de un encendido accidental.

Instalación o extracción del cartucho de batería

⚠PRECAUCIÓN: Apague siempre la herramienta antes de colocar o quitar el cartucho de batería.

⚠PRECAUCIÓN: Sujete la herramienta y el cartucho de la batería con firmeza al colocar o quitar el cartucho de batería. Si no se sujeta con firmeza la herramienta y el cartucho de batería, puede ocasionar que se resbalen de sus manos causando daños a la herramienta y al cartucho de batería, así como lesiones a la persona.



1. Indicador rojo 2. Botón 3. Cartucho de batería

Para quitar el cartucho de batería, deslícelo de la herramienta mientras desliza el botón sobre la parte delantera del cartucho.

Para colocar el cartucho de batería, alinee la lengüeta sobre el cartucho de batería con la ranura en la carcasa y deslice en su lugar. Inserte por completo hasta que se fije en su lugar con un pequeño clic. Si puede ver el indicador rojo del lado superior del botón, esto indica que no ha quedado fijo por completo.

⚠️ PRECAUCIÓN: Introduzca siempre completamente el cartucho de batería hasta que el indicador rojo no pueda verse. Si no, podría accidentalmente salirse de la herramienta y caer al suelo causando una lesión a usted o alguien a su alrededor.

⚠️ PRECAUCIÓN: No instale el cartucho de batería a la fuerza. Si el cartucho no se desliza al interior fácilmente, se debe a que no está siendo insertado correctamente.

NOTA: La herramienta no funciona sólo con un cartucho de batería.

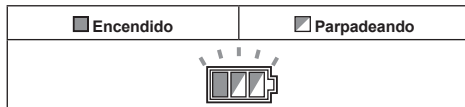
Sistema de protección para la herramienta/batería

La herramienta está equipada con un sistema de protección para la herramienta/batería. Este sistema corta en forma automática el suministro de energía al motor para prolongar la vida útil de la herramienta y la batería. La herramienta se detendrá automáticamente durante la operación si la herramienta o la batería se someten a una de las siguientes condiciones. En algunas condiciones, los indicadores pueden encenderse.

Protección contra sobrecarga

Cuando la herramienta se está utilizando de manera que causa que consuma una cantidad de corriente inusualmente alta, la herramienta se detiene automáticamente sin que haya indicación alguna. En este caso, apague la herramienta y detenga la aplicación que causó que la herramienta se sobrecargara. Luego encienda la herramienta para reiniciarla.

Protección contra sobrecalentamiento

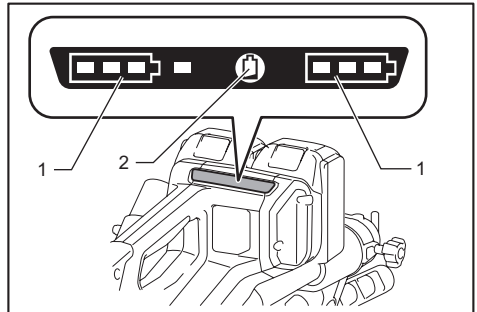


Cuando la herramienta se sobrecalienta, ésta se detiene automáticamente y el indicador de batería parpadea alrededor de 60 segundos. En este caso, espere a que la herramienta se enfríe antes de volver a encenderla.

Protección contra sobredescarga

Cuando la capacidad de la batería se reduce, la herramienta se detiene automáticamente. Si el producto no funciona incluso cuando los interruptores están siendo operados, retire las baterías de la herramienta y cárguelas.

Indicación de capacidad restante de la batería



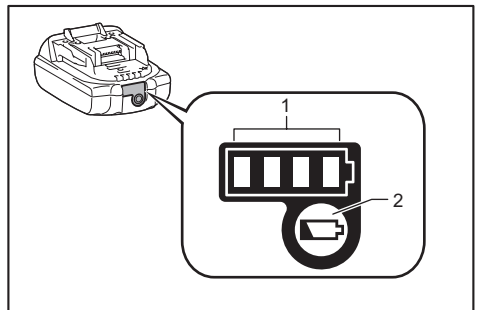
1. Indicador de batería 2. Botón de verificación

Oprima el botón de verificación para indicar las capacidades restantes de la batería. Los indicadores de batería corresponden a cada batería.

Estado del indicador de batería			Capacidad restante de la batería
Encendido	Apagado	Parpadeando	
			50% - 100%
			20% - 50%
			0% - 20%
			Cargar la batería

Indicación de la capacidad restante de la batería

Sólo para cartuchos de batería con una "B" al final del número de modelo



1. Luces indicadoras 2. Botón de verificación

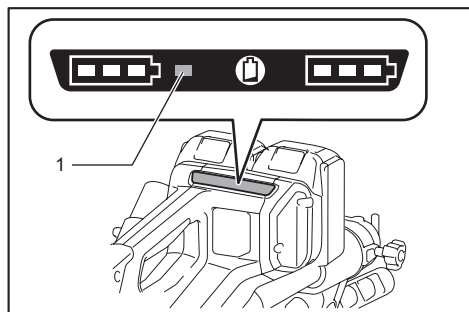
Oprima el botón de verificación en el cartucho de la batería para que indique la capacidad restante de la

batería. Las luces indicadoras se iluminarán por algunos segundos.

Luces indicadoras			Capacidad restante
Iluminadas	Apagadas	Parpadeando	
■	□	◐	75% a 100%
■ ■ ■ ■			
■	□	◐	50% a 75%
■ ■ ■ □			
■	□	◐	25% a 50%
■ ■ □ □			
■	□	◐	0% a 25%
■ □ □ □			
◐	□	□	Cargar la batería.
◐ □ □ □			
■ ■ □ □	□ □	■ ■	La batería pudo haber funcionado mal.
□ □ ■ ■			

NOTA: Dependiendo de las condiciones de uso y la temperatura ambiente, la indicación podrá diferir ligeramente de la capacidad real.

Función de cambio de velocidad automática



1. Indicador de modo

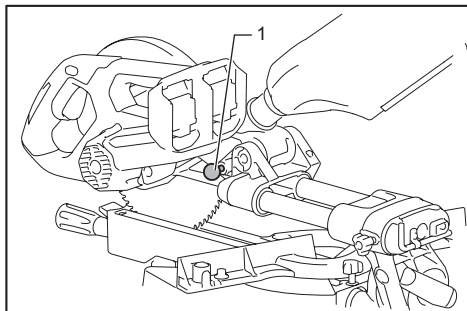
Estado del indicador de modo	Modo de operación
■ ■ ■ □	Modo de alta velocidad
■ ■ ■ □ ◐	Modo de alta torsión

Esta herramienta cuenta con “modo de alta velocidad” y “modo de alta torsión”. Esta cambia automáticamente el modo de operación dependiendo de la carga de trabajo. Cuando el indicador de modo se enciende durante la operación, la herramienta está en el modo de alta torsión.

Clavija de retención

PRECAUCIÓN: Siempre sostenga la empuñadura al liberar la clavija de retención. De lo contrario, la empuñadura se levanta de golpe y puede provocar una lesión.

Para liberar la clavija de retención, continúe aplicando una ligera presión hacia abajo sobre la empuñadura y luego jale la clavija de retención.



1. Clavija de retención

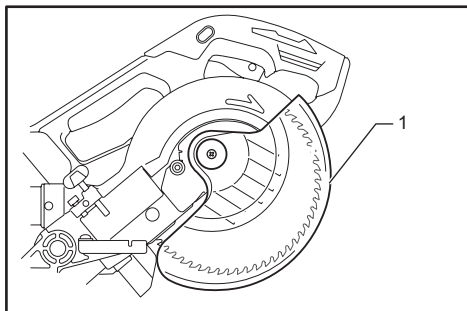
Protector del disco

ADVERTENCIA: Nunca inhabilite o quite el protector del disco, ni el resorte que lo fija.

Un disco expuesto como resultado de inhabilitar el protector puede causar graves lesiones personales durante la operación.

ADVERTENCIA: Nunca use la herramienta si el protector del disco o el resorte están dañados, defectuosos o hacen falta. La operación de la herramienta con algún daño o defecto en el protector o si éste hace falta puede causar lesiones personales graves.

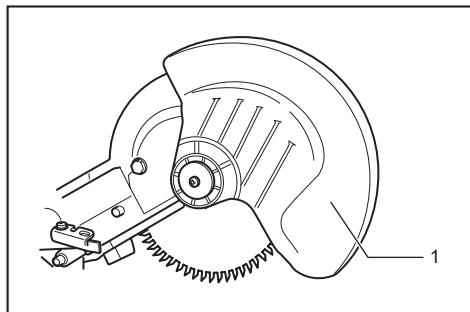
PRECAUCIÓN: Siempre mantenga el protector del disco en buen estado para una operación segura. Detenga de inmediato la operación en caso de haber alguna irregularidad con el protector del disco. Asegúrese de comprobar la acción de regreso del protector mediante el resorte.



1. Protector del disco

Al bajar la empuñadura, el protector del disco se levanta automáticamente. El protector del disco es accionado por resorte, por lo que éste regresará a su posición original al terminar de realizar el corte y la empuñadura sea levantada.

Limpieza



1. Protector del disco

Si el protector transparente del disco se ensucia, o si el aserrín se adhiere causando que el disco y/o la pieza de trabajo no puedan verse fácilmente, retire el cartucho de batería y limpie cuidadosamente el protector con un paño húmedo. No utilice disolventes ni limpiadores a base de petróleo sobre el protector de plástico ya que esto podría dañarlo.

Para limpiar, levante el protector del disco consultando la sección "Instalación o extracción del disco de la sierra".

Después de la limpieza, asegúrese de colocar nuevamente el disco y la cubierta central y apriete el perno de cabeza hexagonal.

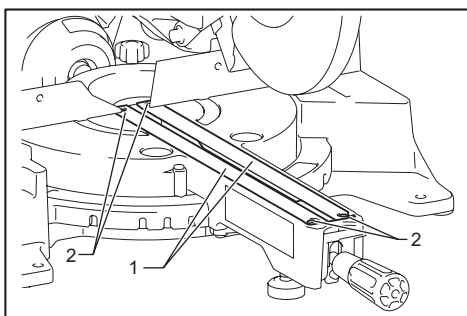
1. Asegúrese de apagar la herramienta y retirar los cartuchos de batería.
2. Gire el perno de cabeza hexagonal en sentido inverso al de las manecillas del reloj usando la llave hexagonal suministrada sosteniendo la cubierta central.
3. Levante el protector del disco y la cubierta central.
4. Una vez finalizada la limpieza, coloque de nuevo la cubierta central y apriete el perno de cabeza hexagonal siguiendo los pasos de arriba en orden inverso.

⚠️ ADVERTENCIA: No quite el resorte que sujeta el protector del disco. Si el protector se daña con el transcurso del tiempo o por exposición a luz ultravioleta, póngase en contacto con un centro de servicio Makita para solicitar un repuesto. **NO INHABILITE NI RETIRE EL PROTECTOR.**

Posicionamiento del panel de corte

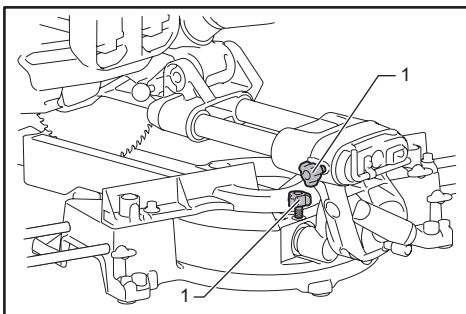
La base giratoria de esta herramienta viene provista con paneles de corte a fin de minimizar el desgaste en el lado de salida del corte. Los paneles de corte están ajustados de fábrica de manera que éstos no hagan contacto con el disco de la sierra. Antes de utilizar la herramienta, ajuste los paneles de corte de la siguiente manera:

1. Asegúrese de extraer el cartucho de batería. Luego, afloje todos los tornillos (2 de cada lado a la izquierda y la derecha) fijando los paneles de corte.



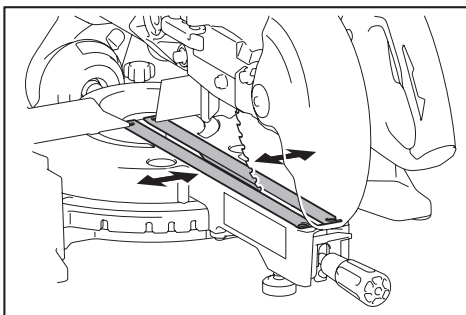
1. Panel de corte 2. Tornillo

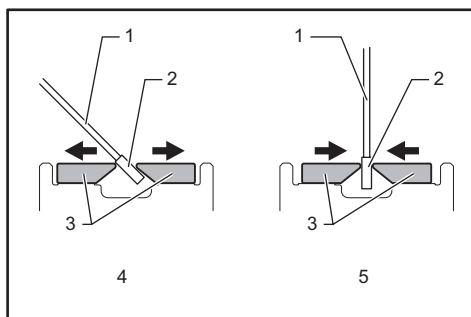
2. Vuelva a apretarlos sólo hasta el punto en que los paneles de corte puedan aún moverse manualmente con facilidad.
3. Baje la empuñadura por completo y empuje la clavija de retención para bloquear la empuñadura en la posición baja.
4. Afloje los dos tornillos de sujeción que fijan los soportes de corredera.



1. Tornillo de mariposa

5. Jale el carro por completo hacia usted.
6. Ajuste los paneles de corte de manera que éstos sólo hagan contacto con los costados de los dientes del disco.





1. Disco de la sierra 2. Dientes del disco
3. Panel de corte 4. Corte en bisel izquierdo
5. Corte recto

7. Apriete los tornillos delanteros (no los apriete por completo).
8. Empuje el carro hacia la guía lateral por completo y ajuste los paneles de corte de tal forma que éstos apenas hagan contacto con los costados de los dientes del disco.
9. Apriete los tornillos traseros (no los apriete por completo).
10. Una vez ajustados los paneles de corte, libere la clavija de retención y levante la empuñadura. Luego apriete todos los tornillos firmemente.

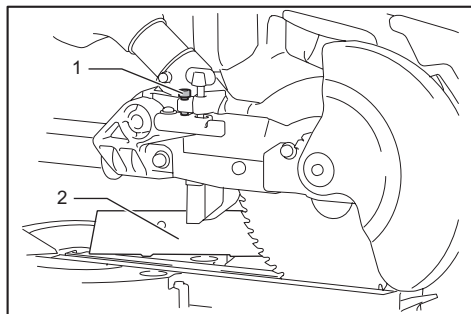
AVISO: Tras ajustar el ángulo de bisel, asegure que los paneles de corte queden ajustados correctamente. El ajuste correcto de los paneles de corte ayudará a ofrecer un apoyo adecuado de la pieza de trabajo minimizando su desplazamiento.

Manteniendo la máxima capacidad de corte

Esta herramienta está ajustada de fábrica para ofrecer la máxima capacidad de corte para un disco de sierra de 190 mm (7-1/2").

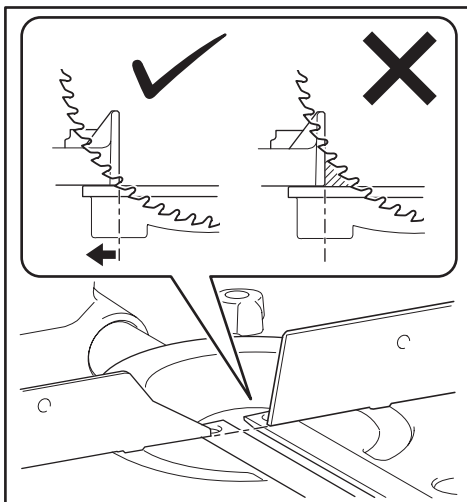
Al instalar un disco nuevo, revise siempre la posición del límite inferior del disco y, de ser necesario, haga el ajuste como se indica a continuación:

1. Retire el cartucho de batería. Luego, empuje el carro hacia la guía lateral por completo y baje la empuñadura totalmente.



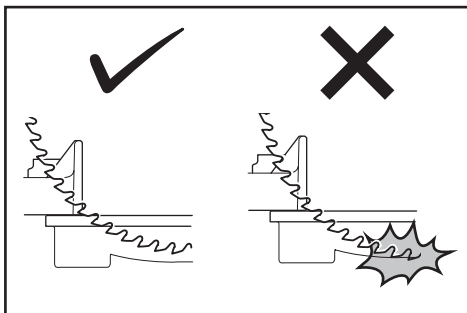
1. Perno de ajuste 2. Guía lateral

2. Use la llave hexagonal para girar el perno de ajuste hasta que el disco de la sierra se coloque ligeramente debajo de la sección transversal de la guía lateral y la parte superior de la base giratoria.



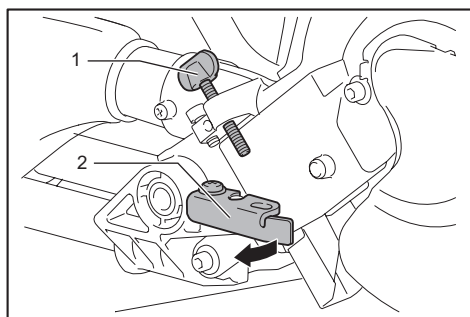
3. Gire el disco manualmente mientras sostiene la empuñadura completamente hacia abajo para asegurar que el disco no haga contacto con ninguna pieza de la base inferior. Ajuste ligeramente, en caso necesario.

ADVERTENCIA: Tras la colocación de un disco nuevo y con el cartucho de la batería retirado, asegúrese siempre de que el disco no haga contacto con ninguna pieza de la base inferior al bajar la empuñadura por completo. Si un disco hace contacto con la base, puede producirse un retroceso brusco ocasionando lesiones personales graves.



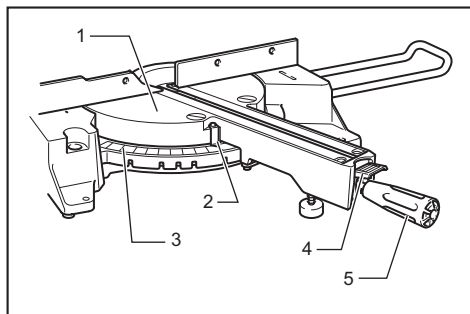
Brazo de retención

La posición del límite inferior del disco puede ser ajustado fácilmente con el brazo de retención. Para hacerlo, mueva el brazo de retención en dirección de la flecha, tal como se muestra en la figura. Gire el tornillo de ajuste y empuje totalmente hacia abajo la empuñadura para comprobar el resultado.



1. Tornillo de ajuste 2. Brazo de retención

Ajuste del ángulo de inglete



1. Base giratoria 2. Marcador 3. Escala de inglete 4. Palanca de bloqueo 5. Perilla

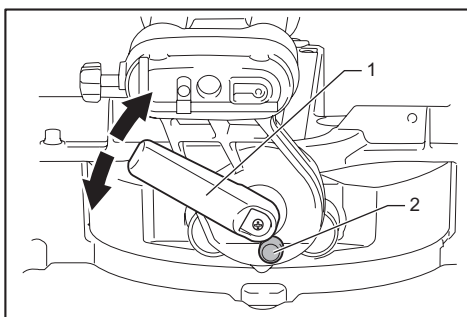
1. Afloje la perilla en sentido inverso al de las manecillas del reloj.
2. Oprima y mantenga sostenida la palanca de bloqueo, y ajuste el ángulo de la base giratoria. Utilice el marcador y la escala de inglete como guía.
3. Apriete la perilla firmemente en el sentido de las manecillas del reloj.

PRECAUCIÓN: Luego de cambiar el ángulo de inglete, siempre asegure la base giratoria ajustando la perilla firmemente.

AVISO: Antes de girar la base, asegúrese de subir completamente la empuñadura.

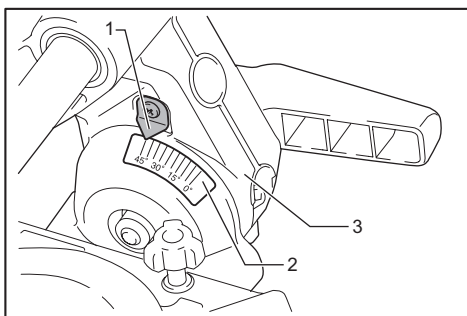
Ajuste del ángulo de bisel

Para ajustar el ángulo de bisel, suelte la palanca que se encuentra en la parte posterior de la herramienta en sentido inverso al de las manecillas del reloj.



1. Palanca 2. Botón de liberación

Para inclinar el disco hacia la izquierda, sostenga la empuñadura e incline el carro. Use la escala de bisel y el marcador como guía. Luego ajuste la palanca firmemente en el sentido de las manecillas del reloj para asegurar el brazo.



1. Marcador 2. Escala de bisel 3. Brazo

Para inclinar el disco hacia la derecha, sostenga la empuñadura e incline el carro ligeramente a la izquierda, y presione el botón de liberación. Con el botón de liberación oprimido, incline el disco de la sierra hacia la derecha. Luego ajuste la palanca.

PRECAUCIÓN: Después de cambiar el ángulo de bisel, siempre asegure el brazo ajustando la palanca en el sentido de las manecillas del reloj.

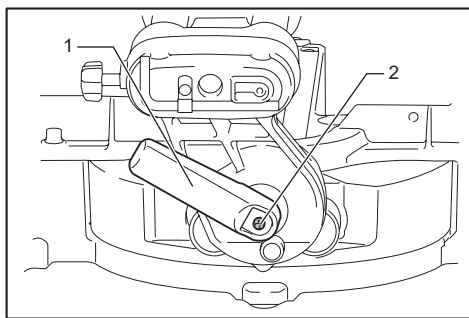
AVISO: Cuando incline el disco de la sierra, asegúrese de que la empuñadura esté levantada completamente.

AVISO: Cuando cambie los ángulos de bisel, asegúrese de posicionar adecuadamente los paneles de corte, tal como se explica en la sección "Posicionamiento del panel de corte".

Ajuste de la posición de la palanca

Si la palanca no se puede ajustar completamente con el transcurso del tiempo, cambie la posición de la palanca. La palanca puede reposicionarse en cada ángulo de 30°.

Afloje y retire el tornillo que asegura la palanca. Extraiga la palanca y vuelva a instalarla de manera que quede levemente por encima del nivel horizontal. Luego, asegure bien la palanca con el tornillo.



1. Palanca 2. Tornillo

Accionamiento del interruptor

⚠ADVERTENCIA: Antes de colocar el cartucho de batería en la herramienta, compruebe siempre que el gatillo interruptor se acciona debidamente y que regrese a la posición de apagado (OFF) cuando lo suelte. Usar una herramienta con un interruptor que no funciona adecuadamente puede resultar en pérdida del control ocasionando graves lesiones a la persona.

⚠ADVERTENCIA: No use un candado con un grosor o cable menor de 6,35 mm (1/4") de diámetro. Un grosor o cable menor podría no bloquear la herramienta adecuadamente en la posición de apagado, ocasionando una operación accidental que podría causar lesiones personales graves.

⚠ADVERTENCIA: NUNCA use la herramienta sin un gatillo interruptor completamente funcional. Cualquier herramienta con un interruptor que no funcione correctamente es ALTAMENTE PELIGROSA y deberá repararse antes de continuar su uso o podría causar lesiones personales graves.

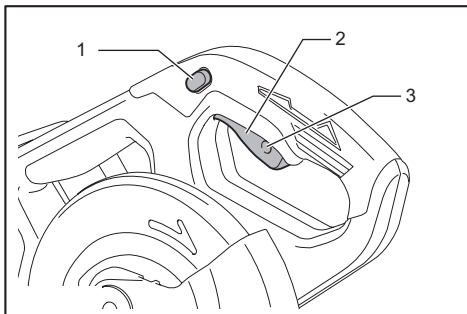
⚠ADVERTENCIA: Por su seguridad, esta herramienta está equipada con un botón de desbloqueo para prevenir que la herramienta se active accidentalmente. NUNCA use la herramienta si se activa simplemente al jalar el gatillo sin que requiera presionar el botón de desbloqueo. El uso de un interruptor que requiere reparación puede ocasionar una activación no intencional la cual puede causar graves lesiones personales. Regrese la herramienta al centro de servicio Makita para las reparaciones apropiadas ANTES de continuar su utilización.

⚠ADVERTENCIA: NUNCA inhabilite el botón de desbloqueo manteniéndolo presionado con cinta adhesiva o mediante otro método. Un interruptor con un botón de desbloqueo inhabilitado puede ocasionar una operación accidental y lesiones personales.

AVISO: No jale fuertemente el gatillo interruptor sin presionar el botón de desbloqueo. Esto podría dañar el interruptor.

El botón de desbloqueo es suministrado para evitar jalar accidentalmente el gatillo interruptor. Para encender la herramienta, presione el botón de desbloqueo y jale el gatillo interruptor. Para detenerla, suelte el gatillo interruptor.

El botón de desbloqueo puede oprimirse ya sea del lado derecho o izquierdo. El gatillo interruptor cuenta con un orificio para insertar un candado para el bloqueo de la herramienta.



1. Botón de desbloqueo 2. Gatillo interruptor
3. Orificio para el candado

Freno eléctrico

La herramienta está equipada con un freno eléctrico para el disco. Si la herramienta falla constantemente en detener el disco tras soltar el gatillo interruptor, lleve la herramienta a mantenimiento a un centro de servicio Makita.

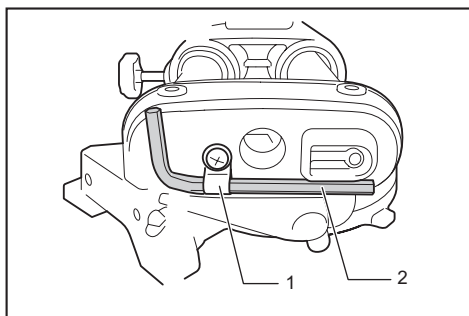
⚠PRECAUCIÓN: El sistema de frenado del disco no es un sustituto del protector del disco. Nunca use la herramienta sin un protector funcional del disco. El uso de un disco sin el protector puede ocasionar graves lesiones personales.

MONTAJE

⚠ADVERTENCIA: Asegúrese siempre de que la herramienta esté apagada y el cartucho de batería extraído antes de realizar algún trabajo con la herramienta. No seguir esta indicación de retirar el cartucho de la batería de la herramienta puede que resulte en graves lesiones personales.

Almacenamiento de la llave hexagonal

La llave hexagonal se encuentra guardada como se muestra en la figura. Cuando requiera usarla, ésta podrá extraerse de su sujetador. Tras haber usado la llave hexagonal, puede guardarla al colocarla de nuevo en su sujetador.



1. Sujetador de la llave 2. Llave hexagonal

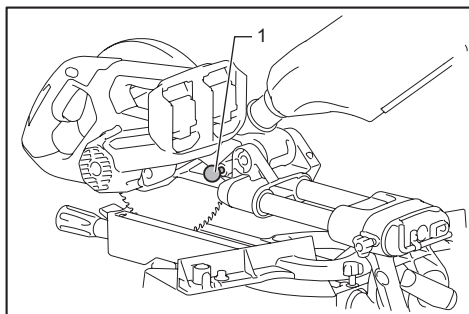
Instalación o extracción del disco de la sierra

⚠ADVERTENCIA: Siempre asegúrese de que la herramienta esté apagada y que el cartucho de batería haya sido extraído antes de instalar o desinstalar el disco. El encendido accidental de la herramienta puede resultar en lesiones personales graves.

⚠PRECAUCIÓN: Use solamente la llave hexagonal Makita proporcionada para instalar o retirar el disco. El no hacerlo puede ocasionar que el perno de cabeza hexagonal se apriete en exceso o no lo suficiente. Lo anterior podría provocar una lesión.

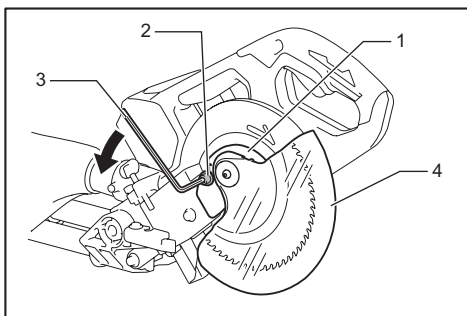
Para retirar el disco, siga los pasos siguientes:

1. Bloquee la empuñadura en la posición levantada empujando la clavija de retención.



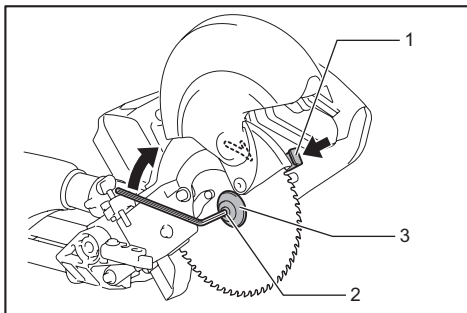
1. Clavija de retención

2. Use la llave hexagonal para aflojar el perno de cabeza hexagonal sosteniendo la cubierta central y girándolo en sentido inverso al de las manecillas del reloj. Luego, levante el protector del disco y la cubierta central.



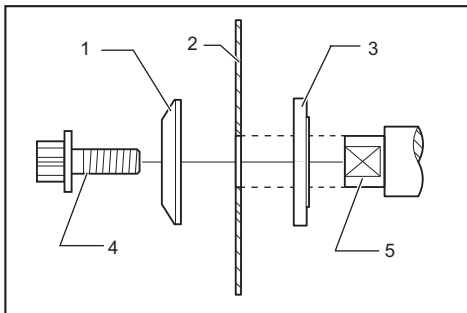
1. Cubierta central 2. Perno de cabeza hexagonal
3. Llave hexagonal 4. Protector del disco

3. Presione el eje de bloqueo para bloquear el eje y use la llave hexagonal para aflojar el perno de cabeza hexagonal en el sentido de las manecillas del reloj. Luego, retire el perno de cabeza hexagonal del eje, la brida exterior y el disco.



1. Eje de bloqueo 2. Perno de cabeza hexagonal
3. Brida exterior

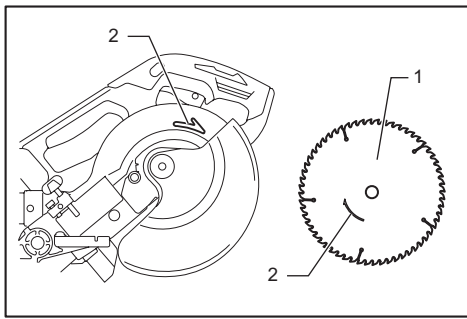
4. Si la brida interior es extraída, instálela en el eje con su protuberancia no orientada hacia el disco. Si la brida se coloca incorrectamente, ésta rozará contra la máquina.



1. Brida exterior 2. Disco de la sierra 3. Brida interior
4. Perno de cabeza hexagonal (a mano izquierda) 5. Eje

Para instalar el disco, siga los pasos siguientes:

1. Monte el disco cuidadosamente en el eje. Asegúrese de que la dirección de la flecha en el disco coincida con la dirección de la flecha en la caja del disco.



1. Disco de la sierra 2. Flecha

- Instale la brida exterior y el perno de cabeza hexagonal, y luego use la llave hexagonal para apretar el perno de cabeza hexagonal (a mano izquierda) del eje fijamente en sentido inverso al de las manecillas del reloj mientras presiona el eje de bloqueo.
- Regrese el protector del disco y la cubierta central a su posición original. Luego, apriete el perno de cabeza hexagonal de la cubierta central en el sentido de las manecillas del reloj para asegurar la cubierta central.
- Libere la empuñadura de la posición levantada jalando la clavija de retención. Baje la empuñadura para asegurarse de que el protector del disco se mueva adecuadamente.
- Asegúrese de que el bloqueo del eje haya liberado el eje antes de hacer el corte.

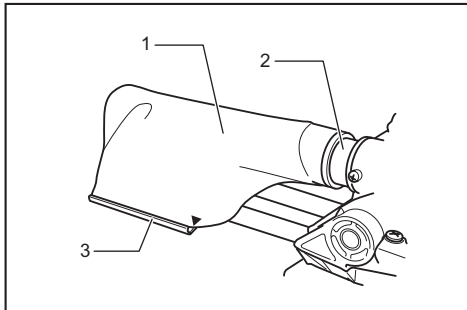
Bolsa recolectora de polvo

El uso de la bolsa recolectora de polvo hace que las operaciones de corte sean más limpias, y facilita la recolección de polvo.

Para adherir la bolsa recolectora de polvo, insértela en la boquilla para polvo.

Para colocar el sujetador, alinee el extremo superior de éste con la marca triangular en la bolsa recolectora de polvo.

Cuando la bolsa esté llena casi a la mitad, retírela de la herramienta y saque el sujetador. Vacíe el contenido de la bolsa dándole golpes suaves, a fin de eliminar las partículas adheridas en el interior que pudieran dificultar una recolección posterior.



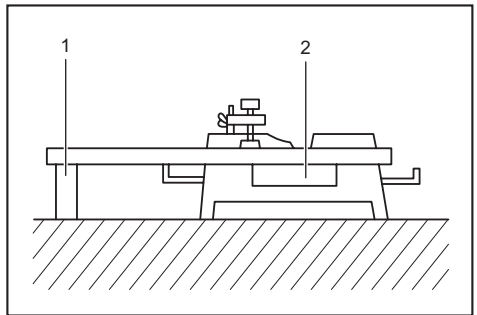
1. Bolsa recolectora de polvo 2. Boquilla para polvo
3. Sujetador

NOTA: Si conecta una aspiradora a su sierra, se podrán realizar operaciones con mayor limpieza.

Aseguramiento de la pieza de trabajo

⚠ADVERTENCIA: Es extremadamente importante siempre asegurar correctamente la pieza de trabajo con el tipo apropiado de prensa. El no hacerlo podría ocasionar lesiones personales graves y causar daños a la herramienta y/o la pieza de trabajo.

⚠ADVERTENCIA: Al cortar una pieza de trabajo de un tamaño mayor que la base de la sierra, la pieza deberá apoyarse sobre toda su longitud más allá de la base de apoyo a la misma altura de ésta para mantener la pieza nivelada. Un apoyo adecuado de la pieza de trabajo ayudará a evitar que el disco se trabe ocasionando un posible retroceso brusco que podría causar lesiones personales graves. No dependa solamente de las prensas vertical y/u horizontal que fijan la pieza de trabajo. Las piezas delgadas tienden a pandearse. Apoye la pieza de trabajo sobre su longitud completa para evitar que el disco se trabe, así como un posible RETROCESO BRUSCO.

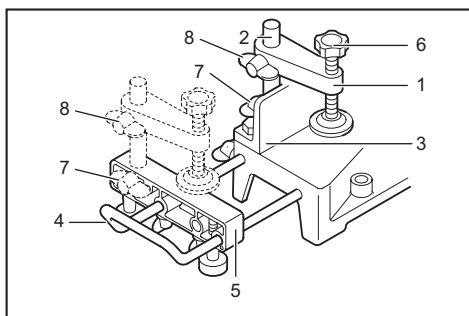


1. Apoyo 2. Base giratoria

Prensa vertical

⚠ADVERTENCIA: Asegure la pieza de trabajo firmemente contra la base giratoria y la guía lateral con la prensa durante todas las operaciones. De lo contrario, la pieza podría moverse durante la operación de corte causando daños al disco, y ser lanzada provocando la pérdida de control y lesiones personales graves.

Instale la prensa vertical ya sea del lado izquierdo o derecho de la guía lateral o del montaje de sostén (accesorio opcional). Inserte la varilla de la prensa en el orificio de la guía lateral o el montaje de sostén y apriete el tornillo inferior para asegurar dicha varilla.



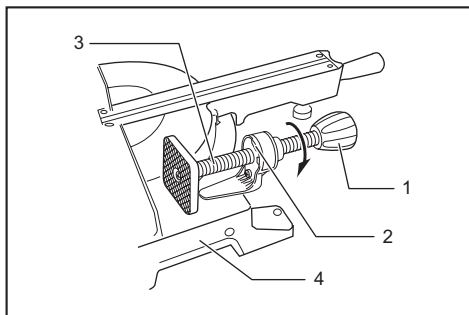
1. Brazo de la prensa
2. Varilla de la prensa
3. Guía lateral
4. Soporte
5. Montaje de sostén
6. Seguro de la prensa
7. Tornillo inferior
8. Tornillo superior

Posicione el brazo de la prensa según el grosor y la forma de la pieza de trabajo y asegúrelo apretando el tornillo superior. Si el tornillo superior hace contacto con la guía lateral, colóquelo en el lado opuesto del brazo de la prensa. Asegúrese de que ninguna pieza de la herramienta haga contacto con la prensa al bajar la empuñadura completamente y jalar o empujar el carro en toda su extensión. Si alguna pieza hace contacto con la prensa, vuelva a posicionar la prensa. Presione la pieza de trabajo en forma horizontal contra la guía lateral y la base giratoria. Coloque la pieza de trabajo en la posición de corte deseada y asegúrela con firmeza ajustando el seguro de la prensa.

Prensa horizontal

Accesorio opcional

ADVERTENCIA: Sujete la pieza de trabajo sólo cuando el indicador se encuentre en la posición más elevada. El no hacerlo puede ocasionar que la pieza de trabajo no se asegure debidamente. Lo anterior podría provocar que la pieza de trabajo saliera arrojada causando daños al disco o la pérdida de control, ocasionando lesiones personales.



1. Seguro de la prensa
2. Indicador
3. Eje de la prensa
4. Base

La prensa horizontal puede ser instalada sobre el lado izquierdo de la base. Al girar el seguro de la prensa en sentido inverso al de las manecillas del reloj, el tornillo se suelta y el eje de la prensa puede desplazarse rápidamente hacia adentro

y hacia afuera. Si el seguro de la prensa se gira en el sentido de las manecillas del reloj, el tornillo permanece asegurado.

Para sujetar la pieza de trabajo, gire el seguro de la prensa suavemente en el sentido de las manecillas del reloj hasta que alcance el tope máximo, y luego asegúrela bien. Si el seguro de la prensa se fuerza hacia adentro o hacia afuera al ser girado en el sentido de las manecillas del reloj, el indicador puede detenerse en un ángulo. En este caso, gire el seguro de la prensa en sentido inverso al de las manecillas del reloj hasta que se suelte el tornillo antes de volver a girarlo suavemente en el sentido de las manecillas del reloj. El ancho máximo de la pieza de trabajo que puede asegurarse con la prensa horizontal es de 120 mm (4-3/4").

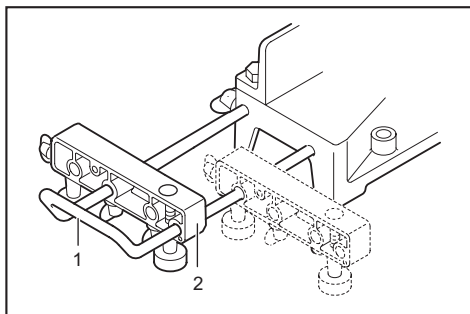
Soportes y montaje de sostén

Accesorio opcional

ADVERTENCIA: Apoye siempre una pieza de trabajo de gran tamaño de tal forma que esté nivelada con la superficie de la base giratoria para un corte preciso y para evitar una pérdida peligrosa del control de la herramienta. Un apoyo adecuado de la pieza de trabajo ayudará a evitar que el disco se trabe ocasionando un posible retroceso brusco que podría causar lesiones personales graves.

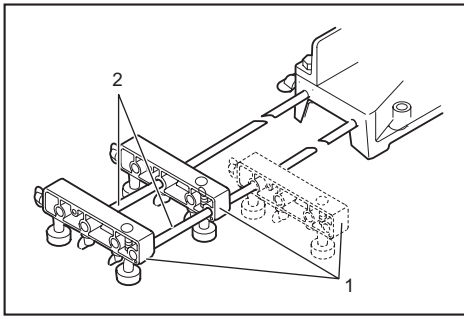
Los soportes y el montaje de sostén (accesorio opcional) pueden ser instalados a ambos lados como un medio apropiado para sostener las piezas de trabajo en forma horizontal.

Instáloselos a un lado de la herramienta y luego apriete los tornillos firmemente para asegurarlos.



1. Soporte
2. Montaje de sostén

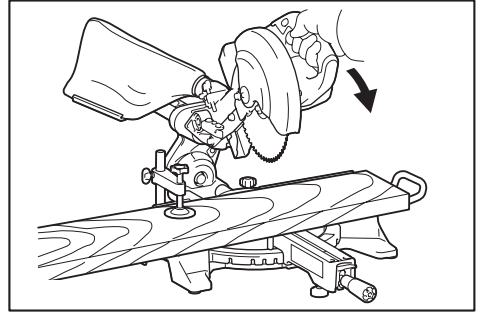
Cuando corte piezas de trabajo largas, utilice el montaje de varilla de sostén (accesorio opcional). Éste consta de dos montajes de sostén y dos varillas 12.



1. Montaje de sostén 2. Varilla 12

Corte con prensa (corte de piezas de trabajo pequeñas)

⚠️ ADVERTENCIA: Apriete firmemente los dos tornillos de sujeción que fijan los soportes de corredera en el sentido de las manecillas del reloj de tal forma que el carro no pueda moverse durante la operación. El no apretar firmemente el tornillo de fijación podría causar retrocesos bruscos y lesiones personales graves.



Las piezas de trabajo de hasta 52 mm (2-1/16") de alto y 97 mm (3-13/16") de ancho pueden ser cortadas de la siguiente manera.

1. Empuje el carro completamente hacia la guía lateral y apriete los dos tornillos de sujeción que fijan los soportes de corredera en el sentido de las manecillas del reloj para asegurar el carro.
2. Asegure la pieza de trabajo con el tipo adecuado de prensa.
3. Encienda la herramienta sin que el disco haga contacto alguno y espere a que éste adquiera velocidad completa antes de bajar la empuñadura.
4. Luego baje lentamente la empuñadura a la posición completamente hacia abajo para realizar el corte en la pieza de trabajo.
5. Una vez finalizado el corte, apague la herramienta y espere hasta que el disco se haya detenido por completo antes de regresar el disco a su posición elevada.

OPERACIÓN

⚠️ ADVERTENCIA: Asegúrese de que el disco no esté haciendo contacto con la pieza de trabajo u otro material antes de activar el interruptor. Encender la herramienta mientras el disco está haciendo contacto con la pieza de trabajo puede ocasionar retrocesos bruscos y lesiones personales graves.

⚠️ ADVERTENCIA: Tras una operación de corte, no levante el disco hasta que éste se haya detenido por completo. Levantar un disco que aún se encuentra girando puede causar lesiones personales graves y daños a la pieza de trabajo.

⚠️ ADVERTENCIA: No toque los tornillos de sujeción que fijan los soportes de corredera mientras el disco de la sierra está girando. De lo contrario, la herramienta podrá perder el control ocasionando lesiones personales.

AVISO: Antes de utilizar la herramienta, asegúrese de liberar la empuñadura de la posición inferior jalando la clavija de retención.

AVISO: No haga excesiva presión sobre la empuñadura mientras corta. Demasiada fuerza podría sobrecargar el motor y/o disminuir la eficacia del corte. La fuerza ejercida sobre la empuñadura debe ser sólo la necesaria para realizar un corte parejo sin disminuir de manera significativa la velocidad del disco.

AVISO: Presione suavemente la empuñadura para realizar el corte. Si la empuñadura es oprimida con fuerza, o si aplica presión lateral, el disco vibrará y dejará una marca (marca de sierra) en la pieza de trabajo y la precisión del corte se verá perjudicada.

AVISO: Cuando realice un corte por deslizamiento, empuje suavemente el carro hacia la guía lateral sin detenerse. Si el carro se detiene durante el corte, quedará una marca en la pieza de trabajo y la precisión de dicho corte se verá perjudicada.

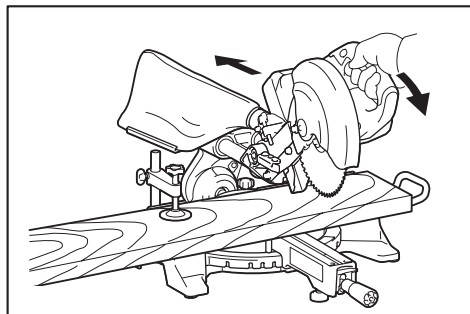
Corte por deslizamiento (empuje) (corte de piezas de trabajo anchas)

⚠ADVERTENCIA: Siempre que realice un corte por deslizamiento, jale primero el carro por completo hacia usted y presione la empuñadura completamente hacia abajo, y luego empuje el carro hacia la guía lateral. Nunca inicie el corte con el carro sin haberlo jalado completamente hacia usted. Si realiza cortes por deslizamiento sin haber jalado el carro completamente hacia usted, podrían generarse retrocesos bruscos inesperados causando lesiones personales graves.

⚠ADVERTENCIA: Nunca intente realizar un corte por deslizamiento mientras jala el carro hacia usted. Jalar el carro hacia usted mientras se realiza un corte puede ocasionar retrocesos bruscos inesperados causando lesiones personales graves.

⚠ADVERTENCIA: Nunca realice cortes por deslizamiento con la empuñadura bloqueada en la posición hacia abajo.

⚠ADVERTENCIA: Nunca afloje la perilla que fija el carro mientras el disco de corte esté girando. Un carro que haya sido aflojado mientras se realiza un corte puede generar retrocesos bruscos inesperados causando lesiones personales graves.



1. Afloje los dos tornillos de sujeción que fijan los soportes de corredera en dirección inversa al de las manecillas del reloj de tal forma que el carro pueda moverse con libertad.
2. Asegure la pieza de trabajo con el tipo adecuado de prensa.
3. Jale el carro por completo hacia usted.
4. Encienda la herramienta sin que el disco haga contacto alguno y espere hasta que ésta alcance la velocidad máxima.
5. Presione hacia abajo la empuñadura y **empuje el carro hacia la guía lateral y a través de la pieza de trabajo.**
6. Una vez finalizado el corte, apague la herramienta y **espere hasta que el disco se haya detenido por completo** antes de regresar el disco a su posición elevada.

Corte en inglete

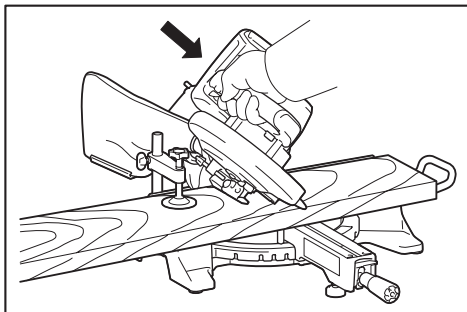
Consulte la sección “Ajuste del ángulo de inglete” descrita anteriormente.

Corte en bisel

⚠ADVERTENCIA: Tras ajustar el disco para un corte en bisel, antes de usar la herramienta asegúrese de que el carro y el disco puedan desplazarse libremente a través del rango completo del corte que se pretende realizar. La interrupción del trayecto del carro o disco durante la operación de corte puede ocasionar retrocesos bruscos causando lesiones personales graves.

⚠ADVERTENCIA: Mientras realiza cortes en bisel, mantenga las manos fuera de la ruta del disco. El ángulo del disco puede confundir al operador respecto a la ruta actual del disco mientras se realiza el corte haciendo que tenga contacto con el disco lo cual causará lesiones personales graves.

⚠ADVERTENCIA: El disco no deberá levantarse hasta que se haya detenido por completo. El fragmento cortado de una pieza de trabajo durante un corte en bisel podría quedar colocado contra el disco. Si el disco se eleva mientras está girando, el fragmento cortado podría ser proyectado por el disco causando que se fragmente u ocasione lesiones personales graves.



1. Afloje la palanca e incline el disco de la sierra para ajustar el ángulo de bisel (consulte la sección “Ajuste del ángulo de bisel” descrita anteriormente). Asegúrese de volver a ajustar con firmeza la palanca para fijar bien el ángulo de bisel seleccionado.
2. Asegure la pieza de trabajo con una prensa.
3. Jale el carro por completo hacia usted.
4. Encienda la herramienta sin que el disco haga contacto alguno y espere hasta que ésta alcance la velocidad máxima.
5. Baje suavemente la empuñadura hasta la posición completamente hacia abajo aplicando presión paralelamente con el disco y **empuje el carro hacia la guía lateral para cortar la pieza de trabajo.**
6. Una vez finalizado el corte, apague la herramienta y **espere hasta que el disco se haya detenido por completo** antes de regresar el disco a su posición completamente elevada.

AVISO: Al presionar la empuñadura hacia abajo, hágalo paralelamente con el disco. Si se aplica fuerza de manera perpendicular a la base giratoria o si la dirección de la presión es modificada durante el corte, la precisión del corte se verá afectada.

Corte compuesto

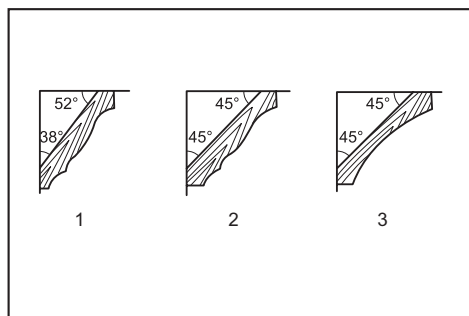
El corte compuesto es un proceso en el que el ángulo de bisel se hace al mismo tiempo en el que el ángulo de inglete está siendo cortado en la pieza de trabajo. El corte compuesto puede realizarse en el ángulo que se muestra en la tabla.

Ángulo de inglete	Ángulo de bisel
Izquierda y derecha 45°	Izquierda 0° - 45°
Derecha 50°	Izquierda 0° - 40°
Derecha 55°	Izquierda 0° - 30°
Derecha 57°	Izquierda 0° - 25°

Cuando realice un corte compuesto, consulte las explicaciones de "Corte con prensa", "Corte por deslizamiento", "Corte en inglete" y "Corte en bisel".

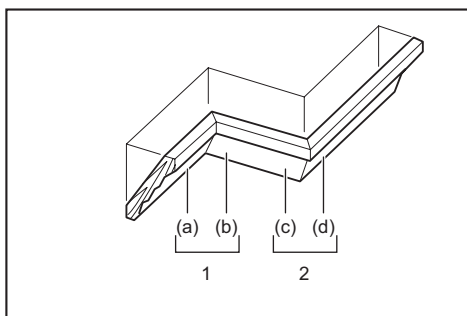
Corte de molduras corona y cóncava

Las molduras corona y cóncava pueden ser cortadas con una sierra de inglete telescópica, colocando las molduras sobre la base giratoria. Existen dos tipos comunes de molduras corona y un tipo de moldura cóncava; moldura corona de ángulo de pared de 52/38°, moldura corona de ángulo de pared de 45° y moldura cóncava de ángulo de pared de 45°.

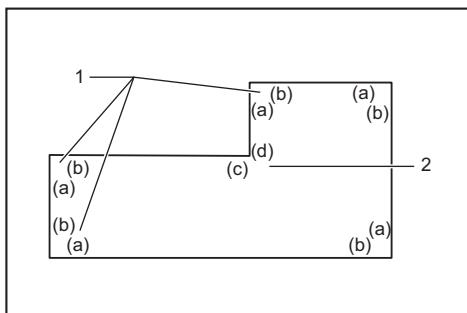


1. Moldura tipo corona de 52/38° 2. Moldura tipo corona de 45° 3. Moldura tipo cóncava de 45°

Existen juntas de molduras corona y molduras cóncavas que se realizan para ser insertadas en rincones "Internos" de 90° ((a) y (b) en la figura) y rincones "Externos" de 90° ((c) y (d) en la figura).



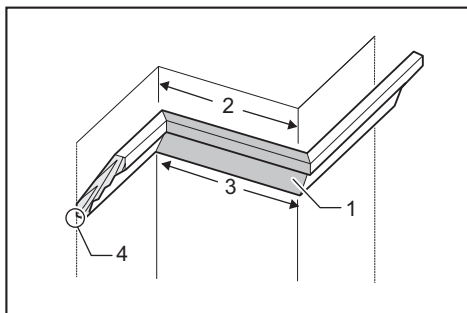
1. Rincón interno 2. Rincón externo



1. Rincón interno 2. Rincón externo

Medición

Mida el ancho de la pared y ajuste la anchura de la pieza de trabajo de acuerdo con éste. Siempre asegúrese de que el ancho del borde de contacto con la pared de la pieza de trabajo sea el mismo que la longitud de la pared.

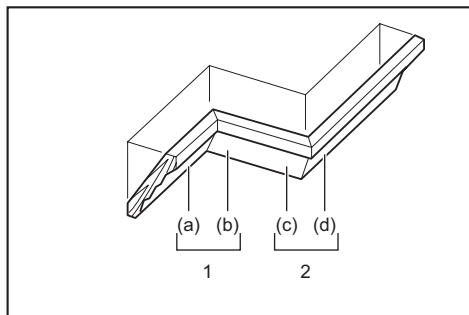


1. Pieza de trabajo 2. Anchura de la pared 3. Anchura de la pieza de trabajo 4. Borde de contacto con la pared

Siempre haga pruebas de corte con varias piezas a fin de verificar los ángulos de la sierra.

Cuando corte molduras corona y cóncava, fije el ángulo de bisel y el ángulo de inglete tal como se indica en la tabla (A), y posicione las molduras en la parte superior de la base de la sierra tal como se indica en la tabla (B).

En caso de corte en bisel izquierdo



1. Rincón interno 2. Rincón externo

Tabla (A)

-	Posición de la moldura en la figura	Ángulo de bisel		Ángulo de inglete	
		Tipo de 52/38°	Tipo de 45°	Tipo de 52/38°	Tipo de 45°
Para rincón interno	(a)	Izquierda 33,9°	Izquierda 30°	Derecha 31,6°	Derecha 35,3°
	(b)			Izquierda 31,6°	Izquierda 35,3°
Para rincón externo	(c)			Derecha 31,6°	Derecha 35,3°
	(d)				

Tabla (B)

-	Posición de la moldura en la figura	Borde de la moldura contra la guía lateral	Pieza terminada
Para rincón interno	(a)	El borde de contacto con el techo deberá estar contra la guía lateral.	La pieza terminada estará del lado izquierdo del disco.
	(b)	El borde de contacto con la pared deberá estar contra la guía lateral.	
Para rincón externo	(c)	El borde de contacto con el techo deberá estar contra la guía lateral.	La pieza terminada estará del lado derecho del disco.
	(d)	El borde de contacto con la pared deberá estar contra la guía lateral.	

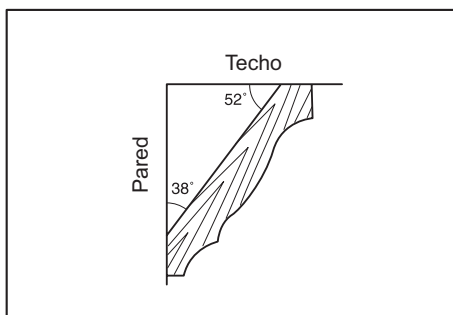
Ejemplo:

En caso de cortar una moldura tipo corona de 52/38° para la posición (a) en la figura de arriba:

- Incline y asegure la posición del ángulo de bisel a 33,9° a la IZQUIERDA.
- Ajuste y asegure la posición del ángulo de inglete a 31,6° a la DERECHA.
- Coloque la moldura corona con la superficie ancha de la parte trasera (oculta) sobre la base giratoria con el BORDE DE CONTACTO CON EL TECHO apoyado sobre la guía lateral de la sierra.
- La pieza terminada a ser utilizada siempre debe estar del lado IZQUIERDO del disco luego de terminado el corte.

Sierra de inglete telescópica

Ajustes del ángulo de inglete y de bisel



De la pared al ángulo de la moldura corona: 52/38 grados

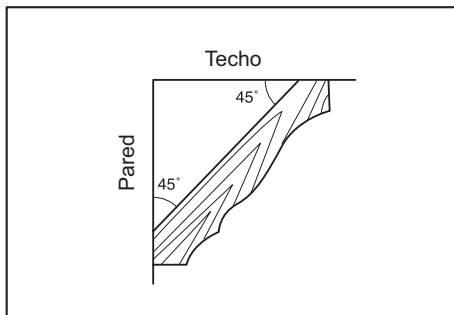
Ángulo de pared (grados)	Ángulo de bisel (grados)	Ángulo de inglete (grados)
60°	43,0°	46,8°
61°	42,8°	46,3°
62°	42,5°	45,7°
63°	42,2°	45,1°
64°	41,9°	44,6°
65°	41,7°	44,0°
66°	41,4°	43,5°
67°	41,1°	42,9°
68°	40,8°	42,4°
69°	40,5°	41,9°
70°	40,2°	41,3°
71°	39,9°	40,8°
72°	39,6°	40,3°
73°	39,3°	39,8°
74°	39,0°	39,2°
75°	38,7°	38,7°
76°	38,4°	38,2°
77°	38,1°	37,7°
78°	37,8°	37,2°
79°	37,4°	36,8°
80°	37,1°	36,3°
81°	36,8°	35,8°
82°	36,5°	35,3°
83°	36,2°	34,8°
84°	35,8°	34,4°
85°	35,5°	33,9°
86°	35,2°	33,4°
87°	34,9°	33,0°
88°	34,5°	32,5°
89°	34,2°	32,1°
90°	33,9°	31,6°
91°	33,5°	31,2°
92°	33,2°	30,7°
93°	32,8°	30,3°
94°	32,5°	29,9°
95°	32,2°	29,4°
96°	31,8°	29,0°
97°	31,5°	28,6°
98°	31,1°	28,2°
99°	30,8°	27,7°
100°	30,4°	27,3°

Ángulo de pared (grados)	Ángulo de bisel (grados)	Ángulo de inglete (grados)
101°	30,1°	26,9°
102°	29,7°	26,5°
103°	29,4°	26,1°
104°	29,0°	25,7°
105°	28,7°	25,3°
106°	28,3°	24,9°
107°	28,0°	24,5°
108°	27,6°	24,1°
109°	27,2°	23,7°
110°	26,9°	23,3°
111°	26,5°	22,9°
112°	26,1°	22,6°
113°	25,8°	22,2°
114°	25,4°	21,8°
115°	25,0°	21,4°
116°	24,7°	21,0°
117°	24,3°	20,7°
118°	23,9°	20,3°
119°	23,6°	19,9°
120°	23,2°	19,6°
121°	22,8°	19,2°
122°	22,5°	18,8°
123°	22,1°	18,5°
124°	21,7°	18,1°
125°	21,3°	17,8°
126°	21,0°	17,4°
127°	20,6°	17,1°
128°	20,2°	16,7°
129°	19,8°	16,4°
130°	19,5°	16,0°
131°	19,1°	15,7°
132°	18,7°	15,3°
133°	18,3°	15,0°
134°	17,9°	14,6°
135°	17,6°	14,3°
136°	17,2°	14,0°
137°	16,8°	13,6°
138°	16,4°	13,3°
139°	16,0°	13,0°
140°	15,6°	12,8°

Ángulo de pared (grados)	Ángulo de bisel (grados)	Ángulo de inglete (grados)
141°	15,3°	12,3°
142°	14,9°	12,0°
143°	14,5°	11,6°
144°	14,1°	11,3°
145°	13,7°	11,0°
146°	13,3°	10,7°
147°	12,9°	10,3°
148°	12,5°	10,0°
149°	12,2°	9,7°
150°	11,8°	9,4°
151°	11,4°	9,0°
152°	11,0°	8,7°
153°	10,8°	8,4°
154°	10,2°	8,1°
155°	9,8°	7,8°
156°	9,4°	7,5°
157°	9,0°	7,1°
158°	8,6°	6,8°
159°	8,3°	6,5°
160°	7,9°	6,2°
161°	7,5°	5,9°
162°	7,1°	5,6°
163°	6,7°	5,3°
164°	6,3°	4,9°
165°	5,9°	4,6°
166°	5,5°	4,3°
167°	5,1°	4,0°
168°	4,7°	3,7°
169°	4,3°	3,4°
170°	3,9°	3,1°
171°	3,5°	2,8°
172°	3,2°	2,5°
173°	2,8°	2,2°
174°	2,4°	1,8°
175°	2,0°	1,5°
176°	1,6°	1,2°
177°	1,2°	0,9°
178°	0,8°	0,6°
179°	0,4°	0,3°
180°	0,0°	0,0°

Sierra de inglete telescópica

Ajustes del ángulo de inglete y de bisel



De la pared al ángulo de la moldura corona: 45 grados

Ángulo de pared (grados)	Ángulo de bisel (grados)	Ángulo de inglete (grados)
60°	37,8°	50,8°
61°	37,5°	50,2°
62°	37,3°	49,6°
63°	37,1°	49,1°
64°	36,8°	48,5°
65°	36,6°	48,0°
66°	36,4°	47,4°
67°	36,1°	46,9°
68°	35,9°	46,4°
69°	35,6°	45,8°
70°	35,4°	45,3°
71°	35,1°	44,8°
72°	34,9°	44,2°
73°	34,6°	43,7°
74°	34,4°	43,2°
75°	34,1°	42,7°
76°	33,9°	42,1°
77°	33,6°	41,6°
78°	33,3°	41,1°
79°	33,1°	40,6°
80°	32,8°	40,1°
81°	32,5°	39,6°
82°	32,3°	39,1°
83°	32,0°	38,6°
84°	31,7°	38,1°
85°	31,4°	37,7°
86°	31,1°	37,2°
87°	30,9°	36,7°
88°	30,6°	36,2°
89°	30,3°	35,7°
90°	30,0°	35,3°
91°	29,7°	34,8°
92°	29,4°	34,3°
93°	29,1°	33,9°
94°	28,8°	33,4°
95°	28,5°	32,9°
96°	28,2°	32,5°
97°	27,9°	32,0°
98°	27,6°	31,6°
99°	27,3°	31,1°
100°	27,0°	30,7°

Ángulo de pared (grados)	Ángulo de bisel (grados)	Ángulo de inglete (grados)
101°	26,7°	30,2°
102°	26,4°	29,8°
103°	26,1°	29,4°
104°	25,8°	28,9°
105°	25,5°	28,5°
106°	25,2°	28,1°
107°	24,9°	27,6°
108°	24,6°	27,2°
109°	24,2°	26,8°
110°	23,9°	26,3°
111°	23,6°	25,9°
112°	23,3°	25,5°
113°	23,0°	25,1°
114°	22,7°	24,7°
115°	22,3°	24,3°
116°	22,0°	23,8°
117°	21,7°	23,4°
118°	21,4°	23,0°
119°	21,0°	22,6°
120°	20,7°	22,2°
121°	20,4°	21,8°
122°	20,0°	21,4°
123°	19,7°	21,0°
124°	19,4°	20,6°
125°	19,1°	20,2°
126°	18,7°	19,8°
127°	18,4°	19,4°
128°	18,1°	19,0°
129°	17,7°	18,6°
130°	17,4°	18,2°
131°	17,1°	17,9°
132°	16,7°	17,5°
133°	16,4°	17,1°
134°	16,0°	16,7°
135°	15,7°	16,3°
136°	15,4°	15,9°
137°	15,0°	15,6°
138°	14,7°	15,2°
139°	14,3°	14,8°
140°	14,0°	14,4°

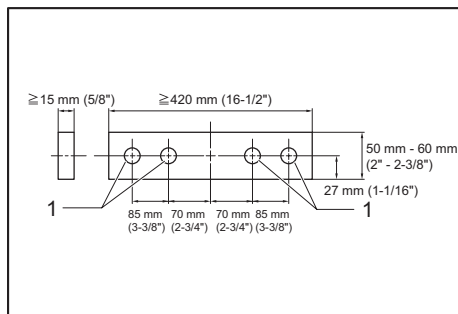
Ángulo de pared (grados)	Ángulo de bisel (grados)	Ángulo de inglete (grados)
141°	13,7°	14,1°
142°	13,3°	13,7°
143°	13,0°	13,3°
144°	12,6°	12,9°
145°	12,3°	12,6°
146°	11,9°	12,2°
147°	11,6°	11,8°
148°	11,2°	11,5°
149°	10,9°	11,1°
150°	10,5°	10,7°
151°	10,2°	10,4°
152°	9,8°	10,0°
153°	9,5°	9,6°
154°	9,2°	9,3°
155°	8,8°	8,9°
156°	8,5°	8,5°
157°	8,1°	8,2°
158°	7,8°	7,8°
159°	7,4°	7,5°
160°	7,1°	7,1°
161°	6,7°	6,7°
162°	6,4°	6,4°
163°	6,0°	6,0°
164°	5,6°	5,7°
165°	5,3°	5,3°
166°	4,9°	5,0°
167°	4,6°	4,6°
168°	4,2°	4,3°
169°	3,9°	3,9°
170°	3,5°	3,5°
171°	3,2°	3,2°
172°	2,8°	2,8°
173°	2,5°	2,5°
174°	2,1°	2,1°
175°	1,8°	1,8°
176°	1,4°	1,4°
177°	1,1°	1,1°
178°	0,7°	0,7°
179°	0,4°	0,4°
180°	0,0°	0,0°

Elemento auxiliar de madera

⚠️ ADVERTENCIA: Use tornillos para fijar el elemento auxiliar de madera a la guía lateral. Los tornillos deberán colocarse de tal forma que las cabezas de éstos queden por debajo de la superficie del elemento auxiliar de madera para que no interfieran con la ubicación de la pieza de trabajo. Una mala alineación de la pieza de trabajo puede causar movimiento inesperado durante la operación de corte, el cual puede resultar en pérdida del control y en lesiones personales graves.

⚠️ PRECAUCIÓN: Use una pieza recta de madera con un grosor uniforme como el elemento auxiliar de madera.

El uso de elementos auxiliares de madera ayuda a realizar el corte de las piezas de trabajo libre de astillas. Acople un elemento auxiliar de madera a la guía lateral utilizando los orificios en la guía lateral. Observe la figura donde se muestran las dimensiones para el elemento auxiliar de madera sugerido.

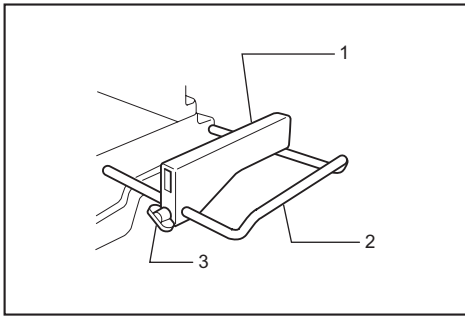


1. Orificios

AVISO: Una vez que el elemento auxiliar de madera esté colocado, no gire la base giratoria si la empuñadura está abajo. Si lo hace, el disco y/o el elemento auxiliar de madera podrían dañarse.

Cortes del mismo largo

Quando corte varias piezas del mismo largo, en un rango de 220 mm (8-5/8") a 385 mm (15-1/8"), use la placa fija (accesorio opcional). Instale la placa fija en el soporte (accesorio opcional) tal como se muestra en la figura.



1. Placa fija 2. Soporte 3. Tornillo

Alinee la línea de corte de la pieza de trabajo ya sea con el lado derecho o izquierdo de la ranura en el panel de corte, y mientras sostiene la pieza de trabajo para que no se mueva, posicione la placa fija alineado contra el extremo de la pieza de trabajo. Luego asegure la placa fija con el tornillo.

Cuando la placa fija no se utilice, afloje el tornillo y déjela a un lado.

NOTA: El uso del montaje de varilla de soporte (accesorio opcional) permite realizar cortes repetitivos del mismo largo de hasta 2 200 mm (7,2ft) aproximadamente.

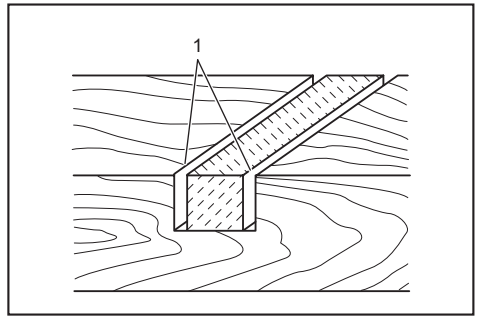
Corte de ranuras

ADVERTENCIA: No intente realizar este tipo de corte al usar un tipo de disco más ancho o discos para corte de ranuras. Intentar realizar un corte de ranura con un disco más ancho o con discos para cortes tipo ranura podría ocasionar resultados inesperados en el corte, así como retrocesos bruscos que resulten en lesiones personales graves.

ADVERTENCIA: Asegúrese de regresar el brazo de retención a la posición original al realizar un tipo de corte que no sea de ranura. Intentar realizar un corte con el brazo de retención en la posición incorrecta podría ocasionar resultados inesperados en el corte, así como retrocesos bruscos que resulten en lesiones personales graves.

Para realizar un corte de ranuras, haga lo siguiente:

1. Ajuste el límite inferior del disco con el tornillo de ajuste y el brazo de retención para restringir la profundidad de corte del disco. Consulte la sección "Brazo de retención" descrita anteriormente.
2. Tras ajustar la posición del límite inferior del disco, haga dos cortes paralelos a todo lo largo del ancho de la pieza de trabajo usando un corte por deslizamiento (empujando).



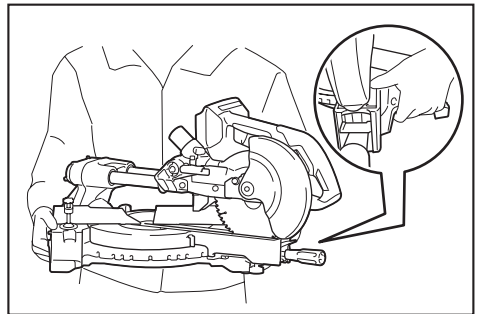
1. Corte de ranura con disco

3. Retire el material de la pieza de trabajo que haya quedado en las ranuras con un cincel.

Transporte de la herramienta

ADVERTENCIA: La clavija de retención sólo tiene propósitos para cargar y almacenar la herramienta, y nunca deberá usarse para ninguna operación de corte. El uso de la clavija de retención para operaciones de corte puede causar un movimiento inesperado del disco de la sierra resultando en retrocesos bruscos y lesiones personales graves.

PRECAUCIÓN: Asegúrese siempre de que todas las partes móviles se encuentran fijas antes de transportar la herramienta. Si partes de la herramienta se mueven o deslizan mientras es transportada, puede haber pérdida del control o de su estabilidad resultando en lesiones personales.



1. Retire el cartucho de batería.
2. Fije el disco a un ángulo de bisel de 0° y la base giratoria por completo hasta la posición angular derecha de inglete.
3. Fije los soportes de corredera de tal forma que el soporte de corredera de la parte inferior quede fijo en la posición del carro completamente jalado hacia el operador y que los soportes de corredera de la parte superior queden fijos en la posición del carro completamente empujado adelante hacia la guía lateral.
4. Baje completamente la empuñadura y trábela en la posición inferior empujando la clavija de retención.
5. Transporte la herramienta sosteniendo ambos lados de la base. Si quita los soportes, la bolsa

recolectora de polvo, etc., podrá transportarla con más facilidad.

MANTENIMIENTO

⚠ADVERTENCIA: Asegúrese de que el disco esté afilado y limpio para una operación óptima y segura. Intentar realizar cortes con un disco no afilado y/o sucio puede causar retrocesos bruscos y resultar en lesiones personales graves.

⚠PRECAUCIÓN: Asegúrese siempre de que la herramienta esté apagada y el cartucho de batería extraído antes de intentar realizar una inspección o mantenimiento.

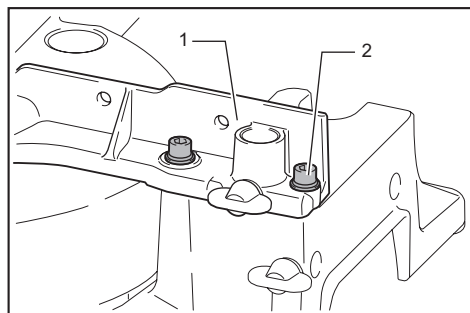
AVISO: Nunca use gasolina, bencina, diluyente (tíner), alcohol o sustancias similares. Puede que esto ocasione grietas o descoloramiento.

Ajuste del ángulo de corte

Esta herramienta ya viene cuidadosamente ajustada y alineada de fábrica, pero una manipulación descuidada podría afectar la alineación. Si su herramienta no está adecuadamente alineada, haga lo siguiente:

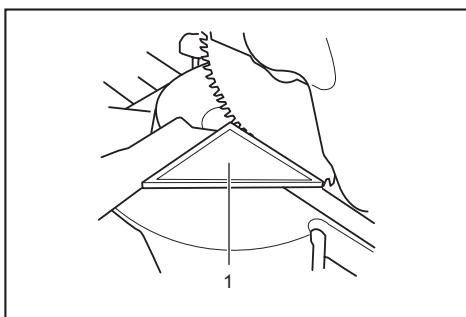
Ángulo de inglete

1. Empuje el carro hacia la guía lateral y asegúrelo ajustando los dos tornillos de retención.
2. Gire la base giratoria de tal forma que el marcador apunte a 0° en la escala de inglete.
3. Gire la base giratoria levemente en ambos sentidos para sentar la base giratoria en la ranura de inglete de 0° . (Déjela como esté en caso de que el marcador no indique 0°).
4. Afloje los pernos de cabeza hexagonal con la llave hexagonal fijando la guía lateral.



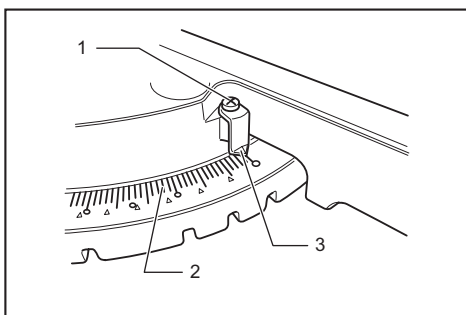
1. Guía lateral 2. Perno de cabeza hexagonal

5. Baje completamente la empuñadura y trábela en la posición inferior empujando la clavija de retención.
6. Ajuste la guía lateral hasta que haga un ángulo perpendicular con el disco usando una regla triangular, escuadra, etc. Luego apriete con firmeza el perno de cabeza hexagonal en la guía lateral en orden comenzando del lado derecho.



1. Regla triangular

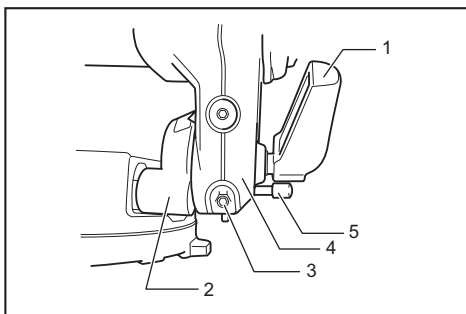
7. Asegúrese de que el marcador indique 0° en la escala de inglete. Si el marcador no indica 0° , afloje el tornillo que asegura el marcador y ajústelo de manera que marque 0° .



1. Tornillo 2. Escala de inglete 3. Marcador

Ángulo de bisel

Ángulo de bisel de 0°

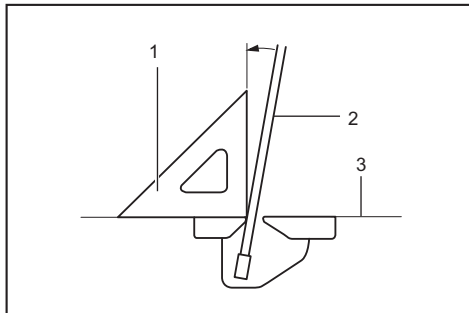


1. Palanca 2. Brazo de sostén 3. Perno de ajuste del ángulo de bisel de 0° 4. Brazo 5. Botón de liberación

1. Empuje el carro en dirección a la guía lateral y asegúrelo ajustando dos tornillos de retención.
2. Baje completamente la empuñadura y trábela en la posición inferior empujando la clavija de retención.
3. Suelte la palanca que se encuentra en la parte trasera de la herramienta.

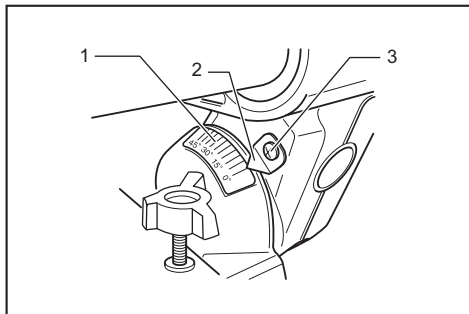
4. Cambie el ángulo de bisel de 0° ajustando el perno (perno inferior) del lado derecho del brazo de dos o tres revoluciones en sentido inverso al de las manecillas del reloj para inclinar el disco hacia la derecha.

5. Gire el ángulo de bisel de 0° ajustando con cuidado el perno en el sentido de las manecillas del reloj hasta que la parte lateral del disco haga un ángulo perpendicular con la superficie de la base giratoria. Utilice una regla triangular, escuadra, etc. como guía. Luego ajuste bien la palanca.



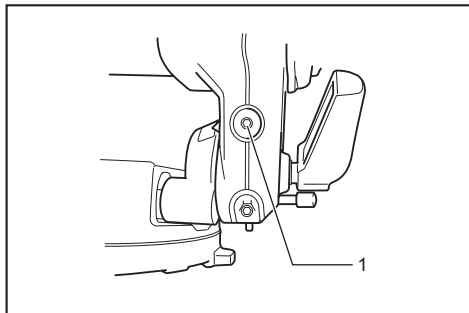
1. Regla triangular 2. Disco de la sierra
3. Superficie de la mesa giratoria

6. Asegúrese de que el marcador en el brazo indique 0° en la escala de bisel. Si no indica 0° , afloje el tornillo que asegura el marcador y ajústelo de manera que marque 0° .



1. Escala de bisel 2. Marcador 3. Tornillo

Ángulo de bisel de 45°



1. Perno de ajuste del ángulo de bisel de 45° a la izquierda

Ajuste el ángulo de bisel de 45° sólo después de ajustar el ángulo de bisel de 0° .

1. Afloje la palanca e incline el disco completamente hacia la izquierda.
2. Asegúrese de que el marcador en el brazo indique 45° en la escala de bisel. Si el marcador no indica 45° , gire el ángulo de bisel de 45° ajustando el perno (perno superior) del lado derecho del brazo hasta que el marcador indique 45° .

Luego del uso

Luego de utilizar la herramienta, limpie los restos de astillas y polvo con un paño o similar. Mantenga el protector del disco limpio de acuerdo con las instrucciones proporcionadas en la sección "Protector del disco". Lubrique las partes deslizantes con aceite para máquinas a fin de evitar que se oxiden.

Cuando almacene la herramienta, jale el carro en dirección a totalmente hacia usted de manera que el soporte de corredera quede perfectamente insertado en la base giratoria.

Para mantener la SEGURIDAD y FIABILIDAD del producto, las reparaciones, y cualquier otra tarea de mantenimiento o ajuste deberán ser realizadas en centros de servicio autorizados o de fábrica Makita, empleando siempre repuestos Makita.

ACCESORIOS OPCIONALES

⚠ADVERTENCIA: Estos accesorios o aditamentos Makita están recomendados para utilizarse con su herramienta Makita que se especifica en este manual. El uso de cualquier otro accesorio o aditamento puede ocasionar lesiones personales graves.

⚠ADVERTENCIA: Use los accesorios o aditamentos Makita solamente para su propósito designado. El uso inapropiado de un accesorio o aditamento puede causar lesiones personales graves.

Si necesita cualquier ayuda para más detalles en relación con estos accesorios, pregunte a su centro de servicio local Makita.

- Discos de sierra con puntas de carburo
- Montaje de prensa de prensa (prensa horizontal)
- Prensa vertical
- Montaje de sostén
- Montaje de varilla de soporte
- Placa fija
- Bolsa recolectora de polvo
- Regla triangular
- Llave hexagonal
- Batería y cargador originales de Makita

NOTA: Algunos de los artículos en la lista pueden incluirse en el paquete de la herramienta como accesorios estándar. Éstos pueden variar de país a país.

GARANTÍA LIMITADA DE UN AÑO DE MAKITA

Ésta Garantía no aplica para México Política de garantía

Cada herramienta Makita es inspeccionada y probada exhaustivamente antes de salir de la fábrica. Se garantiza que está libre de defectos de mano de obra y materiales por el período de UN AÑO a partir de la fecha original de compra. Si durante este período de un año se desarrollara algún problema, devuelva la herramienta COMPLETA, con el envío prepagado, a un centro de servicio autorizado o de fábrica Makita. Si la inspección muestra que el problema ha sido a causa de un defecto de mano de obra o material, Makita hará la reparación (o a su discreción, el reemplazo) sin ningún cargo. Esta garantía no aplica cuando:

- las reparaciones se hayan hecho o intentado hacer por otros;
- se requieran reparaciones debido al desgaste normal;
- la herramienta haya sido maltratada, recibido un mal uso o haya recibido un mantenimiento inapropiado;
- se hayan hecho modificaciones a la herramienta.

EN NINGÚN CASO MAKITA SE HARÁ RESPONSABLE DE NINGÚN DAÑO INDIRECTO, INCIDENTAL, O DERIVADO DE LA VENTA O USO DEL PRODUCTO. ESTE DESCARGO DE RESPONSABILIDAD APLICA DURANTE Y DESPUÉS DEL PLAZO DE ESTA GARANTÍA. MAKITA RENUNCIA A LA RESPONSABILIDAD POR CUALQUIER GARANTÍA IMPLÍCITA, INCLUYENDO GARANTÍAS DE "COMERCIABILIDAD" Y "ADECUACIÓN PARA UN PROPÓSITO ESPECÍFICO", DESPUÉS DEL PLAZO DE UN AÑO DE ESTA GARANTÍA.

Esta garantía le concede derechos legales específicos y usted podrá tener también otros derechos que varían de un estado a otro. Algunos estados no permiten la exclusión o limitación de daños incidentales o consecuentes, por lo que la limitación o exclusión arriba mencionada podría no aplicar para usted. Algunos estados no permiten la limitación sobre la duración de una garantía implícita, por lo que la limitación arriba mencionada podría no aplicar para usted.

< USA only >

WARNING

Some dust created by power sanding, sawing, grinding, drilling, and other construction activities contains chemicals known to the State of California to cause cancer, birth defects or other reproductive harm. Some examples of these chemicals are:

- lead from lead-based paints,
- crystalline silica from bricks and cement and other masonry products, and
- arsenic and chromium from chemically-treated lumber.

Your risk from these exposures varies, depending on how often you do this type of work. To reduce your exposure to these chemicals: work in a well ventilated area, and work with approved safety equipment, such as those dust masks that are specially designed to filter out microscopic particles.

< Sólo en los Estados Unidos >

ADVERTENCIA

Algunos polvos creados por el lijado, aserrado, esmerilado, taladrado y otras actividades de la construcción contienen sustancias químicas reconocidas por el Estado de California como causantes de cáncer, defectos de nacimiento y otros peligros de reproducción. Algunos ejemplos de estos productos químicos son:

- plomo de pinturas a base de plomo,
- sílice cristalino de ladrillos y cemento y otros productos de albañilería, y
- arsénico y cromo de maderas tratadas químicamente.

El riesgo al que se expone varía, dependiendo de la frecuencia con la que realice este tipo de trabajo. Para reducir la exposición a estos productos químicos: trabaje en un área bien ventilada y póngase el equipo de seguridad indicado, tal como las máscaras contra polvo que están especialmente diseñadas para filtrar partículas microscópicas.

Makita Corporation

3-11-8, Sumiyoshi-cho,
Anjo, Aichi 446-8502 Japan

www.makita.com

885417A943
XSL02-1
EN, FRCA,
ESMX
20150702